

RELIABILITY REPORT
FOR
MAX4714EXT
PLASTIC ENCAPSULATED DEVICES

April 16, 2002

MAXIM INTEGRATED PRODUCTS

120 SAN GABRIEL DR.

SUNNYVALE, CA 94086

Written by



Jim Pedicord
Quality Assurance
Reliability Lab Manager

Reviewed by



Bryan J. Preeshl
Quality Assurance
Executive Director

Conclusion

The MAX4714 successfully meets the quality and reliability standards required of all Maxim products. In addition, Maxim's continuous reliability monitoring program ensures that all outgoing product will continue to meet Maxim's quality and reliability standards.

Table of Contents

I.Device Description	V.Quality Assurance Information
II.Manufacturing Information	VI.Reliability Evaluation
III.Packaging Information	
IV.Die InformationAttachments

I. Device Description

A. General

The MAX4714 is a low on-resistance, low-voltage single-pole/double-throw (SPDT) analog switch that operates from a single +1.6V to +3.6V supply. The MAX4714 has break-before-make switching. This device also has fast switching speeds ($t_{ON} = 18\text{ns max}$, $t_{OFF} = 12\text{ns max}$).

When powered from a +3V supply, the MAX4714 features 0.8Ω max on-resistance (R_{ON}), with 0.18Ω max R_{ON} matching and flatness. The digital logic input is 1.8V CMOS compatible when using a single +3V supply.

The MAX4714 is pin compatible with the MAX4599 and is available in a 6-pin SC70 package

B. Absolute Maximum Ratings

<u>Item</u>	<u>Rating</u>
V+, IN to GND	-0.3V to +4V
COM, NC, NO to GND (Note 1)	-0.3V to (V+ + 0.3V)
Continuous Current NO,NC to COM	+/-150mA
Peak Current NO,NC to COM (pulsed at 1ms, 10% duty cycle)	+/-300mA
Junction Temperature	+150°C
Storage Temp.	-65°C to +150°C
Lead Temp. (10 sec.)	+300°C
Power Dissipation	
6-Pin SC70	247mW
Derates above +70°C	
6-Pin SC70	3.1mW/°C

II. Manufacturing Information

A. Description/Function:	0.8 Ohm, Low-Voltage, Single-Supply SPDT Analog Switch in SC70
B. Process:	TC35 (0.35 Micron Poly Gate Process)
C. Number of Device Transistors:	135
D. Fabrication Location:	Taiwan
E. Assembly Location:	Malaysia or Thailand
F. Date of Initial Production:	April, 2001

III. Packaging Information

A. Package Type:	6-Lead SC70
B. Lead Frame:	Copper
C. Lead Finish:	Copper or Alloy 42
D. Die Attach:	Non-Conductive
E. Bondwire:	Gold (1.0 mil dia.)
F. Mold Material:	Epoxy with silica filler
G. Assembly Diagram:	Buildsheet # 05-1201-0224
H. Flammability Rating:	Class UL94-V0
I. Classification of Moisture Sensitivity per JEDEC standard JESD22-A112:	Level 1

IV. Die Information

A. Dimensions:	30 x 30 mils
B. Passivation:	Si ₃ N ₄ /SiO ₂ (Silicon nitride/ Silicon dioxide)
C. Interconnect:	Al/Cu/Si/Ti
D. Backside Metallization:	None
E. Minimum Metal Width:	0.35 microns (as drawn)
F. Minimum Metal Spacing:	0.35 microns (as drawn)
G. Bondpad Dimensions:	5 mil. Sq.
H. Isolation Dielectric:	SiO ₂
I. Die Separation Method:	Wafer Saw

V. Quality Assurance Information

- A. Quality Assurance Contacts: Jim Pedicord (Reliability Lab Manager)
Bryan Preeshl (Executive Director of QA)
Kenneth Huening (Vice President)
- B. Outgoing Inspection Level: 0.1% for all electrical parameters guaranteed by the Datasheet.
0.1% For all Visual Defects.
- C. Observed Outgoing Defect Rate: < 50 ppm
- D. Sampling Plan: Mil-Std-105D

VI. Reliability Evaluation

A. Accelerated Life Test

The results of the 135°C biased (static) life test are shown in **Table 1**. Using these results, the Failure Rate (λ) is calculated as follows:

$$\lambda = \frac{1}{\text{MTTF}} = \frac{1.83}{192 \times 4389 \times 78 \times 2} \quad (\text{Chi square value for MTTF upper limit})$$

▲
Temperature Acceleration factor assuming an activation energy of 0.8eV

$$\lambda = 13.92 \times 10^{-9} \quad \lambda = 13.92 \text{ F.I.T. (60\% confidence level @ 25°C)}$$

This low failure rate represents data collected from Maxim's reliability qualification and monitor programs. Maxim also performs weekly Burn-In on samples from production to assure reliability of its processes. The reliability required for lots which receive a burn-in qualification is 59 F.I.T. at a 60% confidence level, which equates to 3 failures in an 80 piece sample. Maxim performs failure analysis on rejects from lots exceeding this level. The attached Burn-In Schematic (Spec. # 06-5735) shows the static circuit used for this test. Maxim also performs 1000 hour life test monitors quarterly for each process. This data is published in the Product Reliability Report (**RR-1M**).

B. Moisture Resistance Tests

Maxim evaluates pressure pot stress from every assembly process during qualification of each new design. Pressure Pot testing must pass a 20% LTPD for acceptance. Additionally, industry standard 85°C/85%RH or HAST tests are performed quarterly per device/package family.

C. E.S.D. and Latch-Up Testing

The AH80 die type has been found to have all pins able to withstand a transient pulse of $\pm 2500\text{V}$, per Mil-Std-883 Method 3015 (reference attached ESD Test Circuit). Latch-Up testing has shown that this device withstands a current of $\pm 250\text{mA}$ and/or $\pm 20\text{V}$.

Table 1
Reliability Evaluation Test Results

MAX4714EXT

TEST ITEM	TEST CONDITION	FAILURE IDENTIFICATION	SAMPLE SIZE	NUMBER OF FAILURES
Static Life Test (Note 1)				
	Ta = 135°C Biased Time = 192 hrs.	DC Parameters & functionality	78	0
Moisture Testing (Note 2)				
Pressure Pot	Ta = 121°C P = 15 psi. RH= 100% Time = 168hrs.	DC Parameters & functionality	77	0
85/85	Ta = 85°C RH = 85% Biased Time = 1000hrs.	DC Parameters & functionality	44	0
Mechanical Stress (Note 2)				
Temperature Cycle	-65°C/150°C 1000 Cycles Method 1010	DC Parameters	77	0

Note 1: Life Test Data may represent plastic DIP qualification lots.

Note 2: Generic Process/Package data

Attachment #1

TABLE II. Pin combination to be tested. 1/ 2/

	Terminal A (Each pin individually connected to terminal A with the other floating)	Terminal B (The common combination of all like-named pins connected to terminal B)
1.	All pins except V_{PS1} 3/	All V_{PS1} pins
2.	All input and output pins	All other input-output pins

1/ Table II is restated in narrative form in 3.4 below.

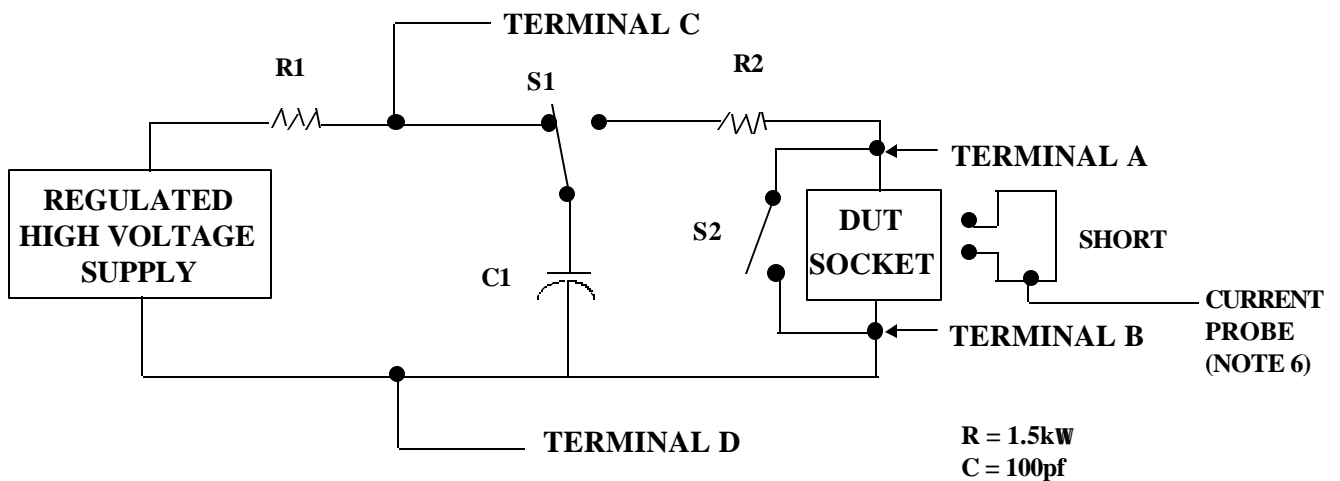
2/ No connects are not to be tested.

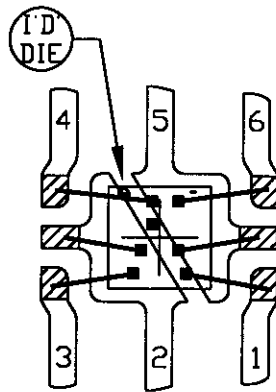
3/ Repeat pin combination I for each named Power supply and for ground

(e.g., where V_{PS1} is V_{DD} , V_{CC} , V_{SS} , V_{BB} , GND, $+V_S$, $-V_S$, V_{REF} , etc).

3.4 Pin combinations to be tested.

- a. Each pin individually connected to terminal A with respect to the device ground pin(s) connected to terminal B. All pins except the one being tested and the ground pin(s) shall be open.
- b. Each pin individually connected to terminal A with respect to each different set of a combination of all named power supply pins (e.g., V_{SS1} , or V_{SS2} or V_{SS3} or V_{CC1} , or V_{CC2}) connected to terminal B. All pins except the one being tested and the power supply pin or set of pins shall be open.
- c. Each input and each output individually connected to terminal A with respect to a combination of all the other input and output pins connected to terminal B. All pins except the input or output pin being tested and the combination of all the other input and output pins shall be open.






USE NON-CONDUCTIVE EPOXY

NOTE: CAVITY DOWN

 BONDABLE AREA

PKG. CODE: X6S-1		SIGNATURES	DATE	 CONFIDENTIAL & PROPRIETARY	
CAV./PAD SIZE: 36x34	PKG. DESIGN				