



## HIGH EFFICIENCY MONOLITHIC SYNCHRONOUS STEP DOWN REGULATOR

### 1 FEATURES

- 2V TO 5.5V BATTERY INPUT RANGE
- HIGH EFFICIENCY: UP TO 95%
- INTERNAL SYNCHRONOUS SWITCH
- NO EXTERNAL SCHOTTKY REQUIRED
- EXTREMELY LOW QUIESCENT CURRENT
- 1 $\mu$ A MAX SHUTDOWN SUPPLY CURRENT
- 800mA MAX OUTPUT CURRENT
- ADJUSTABLE OUTPUT VOLTAGE FROM 0.6V
- LOW DROP-OUT OPERATION: UP TO 100% DUTY CYCLE
- SELECTABLE LOW NOISE/LOW CONSUMPTION MODE AT LIGHT LOAD
- POWER GOOD SIGNAL
- $\pm$ 1% OUTPUT VOLTAGE ACCURACY
- CURRENT-MODE CONTROL
- 1.4MHz SWITCHING FREQUENCY
- EXTERNALLY SYNCHRONIZABLE FROM 1MHz TO 2MHz
- OVP
- SHORT CIRCUIT PROTECTION

### 2 APPLICATIONS

- BATTERY-POWERED EQUIPMENTS
- PORTABLE INSTRUMENTS
- CELLULAR PHONES
- PDAs AND HAND HELD TERMINALS
- DSC
- GPS

Figure 1. Packages

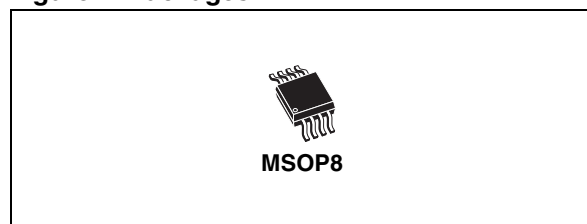


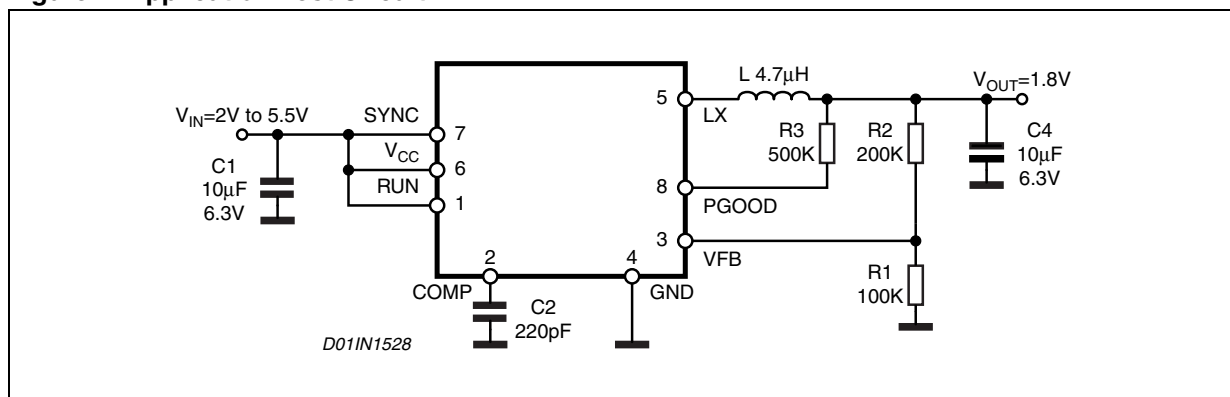
Table 1. Order Codes

Part Number	Package
L6928D	MSOP8 in Tube
L6928D013TR	MSOP8 in Tape & Reel

### 3 DESCRIPTION

The device is dc-dc monolithic regulator specifically designed to provide extremely high efficiency. L6928D supply voltage can be as low as 2V allowing its use in single Li-ion cell supplied applications. Output voltage can be selected by an external divider down to 0.6V. Duty Cycle can saturate to 100% allowing low drop-out operation. The device is based on a 1.4MHz fixed-frequency, current mode-architecture. Low Consumption Mode operation can be selected at light load conditions, allowing switching losses to be reduced. L6928D is externally synchronizable with a clock which makes it useful in noise-sensitive applications. Other features like Powergood, Overvoltage protection, Shortcircuit protection and Thermal Shutdown (150°C) are also present.

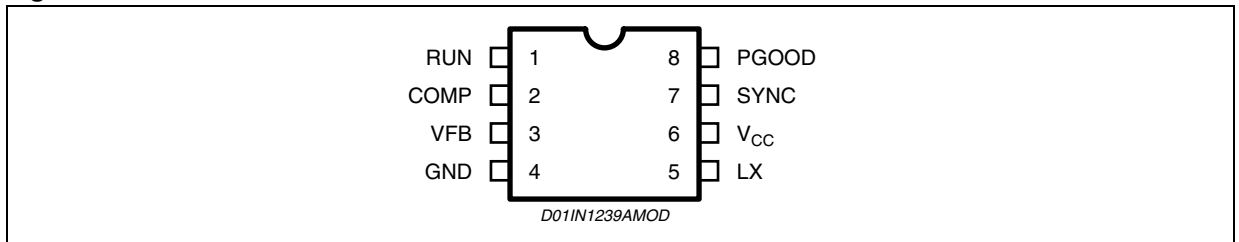
Figure 2. Application Test Circuit



**Table 2. Absolute Maximum Ratings**

Symbol	Parameter	Value	Unit
V <sub>6</sub>	Input voltage	-0.3 to 6	V
V <sub>5</sub>	Output switching voltage	-1 to V <sub>CC</sub>	V
V <sub>1</sub>	Shutdown	-0.3 to V <sub>CC</sub>	V
V <sub>3</sub>	Feedback voltage	-0.3 to V <sub>CC</sub>	V
V <sub>2</sub>	Error amplifier output voltage	-0.3 to V <sub>CC</sub>	V
V <sub>8</sub>	PGOOD	-0.3 to V <sub>CC</sub>	V
V <sub>7</sub>	Synchronization mode selector	-0.3 to V <sub>CC</sub>	V
P <sub>tot</sub>	Power dissipation at Tamb=70°C	0.45	W
T <sub>j</sub>	Junction operating temperature range	-40 to 150	°C
T <sub>stg</sub>	Storage temperature range	-65 to 150	°C
LX Pin	Maximum Withstanding Voltage Range Test Condition: CDF-AEC-Q100-002- "Human Body Model" Acceptance Criteria: "Normal Performance"	±1000	V
Other pins		±2000	V

**Figure 3. Pin Connection**



**Table 3. Thermal Data**

Symbol	Parameter	Value	Unit
R <sub>th j-amb</sub>	Thermal Resistance Junction to Ambient	180	°C/W

**Table 4. Pin Functions**

N	Name	Description
1	RUN	Shutdown input. When connected to a low level (lower than 0.4V) the device stops working. When high (higher than 1.3V) the device is enabled.
2	COMP	Error amplifier output. A compensation network has to be connected to this pin. Usually a 220pF capacitor is enough to guarantee the loop stability.
3	VFB	Error amplifier inverting input. The output voltage can be adjusted from 0.6V up to the input voltage by connecting this pin to an external resistor divider.
4	GND	Ground.
5	LX	Switch output node. This pin is internally connected to the drain of the internal switches.
6	VCC	Input voltage. The start up input voltage is 2.2V (typ) while the operating input voltage range is from 2V to 5.5V. An internal UVLO circuit realizes a 100mV (typ.) hysteresis.
7	SYNC	Operating mode selector input. When high (higher than 1.3V) the Low Consumption Mode is selected. When low (lower than 0.5V) the Low Noise Mode is selected. If connected with an appropriate external synchronization signal (from 1MHz up to 2MHz) the internal synchronization circuit is activated and the device works at the same switching frequency.
8	PGOOD	Power good comparator output. It is an open drain output. A pull-up resistor should be connected between PGOOD and VOUT (or VCC depending on the requirements). The pin is forced low when the output voltage is lower than 90% of the regulated output voltage and goes high when the output voltage is greater than 90% of the regulated output voltage. If not used the pin can be left floating.

**Table 5. Electrical Characteristics** ( $T_j = 25^\circ\text{C}$ ,  $V_{CC} = 3.6\text{V}$  unless otherwise specified)

Symbol	Parameter	Test Condition	Min	Typ	Max	Unit
$V_{CC}$	Operating input voltage	After Turn on	2		5.5	V
$V_{CC\ ON}$	Turn On threshold			2.2		V
$V_{CC\ OFF}$	Turn Off threshold				2	V
$V_{CC\ hys}$	Hysteresis			100		mV
$R_p$	High side $R_{on}$	$V_{CC} = 3.6\text{V}$ , $I_{LX} = 100\text{mA}$		240		$\text{m}\Omega$
$R_n$	Low side $R_{on}$	$V_{CC} = 3.6\text{V}$ , $I_{LX} = 100\text{mA}$		215		$\text{m}\Omega$
$I_{lim}$	Peak current limit	$V_{CC} = 3.6\text{V}$		1.2		A
	Valley current limit	$V_{CC} = 3.6\text{V}$		1.4		A
$V_{out}$	Output voltage range		$V_{fb}$		$V_{CC}$	V
$f_{osc}$	Oscillator frequency			1.4		MHz
$f_{sync}$	Sync mode clock (*)		1		2	MHz
<b>DC CHARACTERISTICS</b>						
$I_q$	Quiescent current (low noise mode)	$V_{sync} = 0\text{V}$ , no load, $V_{FB} > 0.6\text{V}$		230		$\mu\text{A}$
	Quiescent current (low consumption mode)	$V_{sync} = V_{CC}$ , no load, $V_{FB} > 0.6\text{V}$		25		$\mu\text{A}$
$I_{sh}$	Shutdown current	RUN to GND, $V_{CC} = 5.5\text{V}$		0.2		$\mu\text{A}$
$I_{LX}$	LX leakage current (*)	RUN to GND, $V_{LX} = 5.5\text{V}$ , $V_{CC} = 5.5\text{V}$		1		$\mu\text{A}$
		RUN to GND, $V_{LX} = 0\text{V}$ , $V_{CC} = 5.5\text{V}$		1		$\mu\text{A}$
<b>ERROR AMPLIFIER CHARACTERISTICS</b>						
$V_{fb}$	Voltage feedback		0.593	0.6	0.607	V
$I_{fb}$	Feedback input current (*)	$V_{FB} = 0.6\text{V}$		25		nA
<b>RUN</b>						
$V_{run\_H}$	RUN threshold high				1.3	V
$V_{run\_L}$	RUN threshold low		0.4			V
$I_{run}$	RUN input current (*)			25		nA
<b>SYNC/MODE FUNCTION</b>						
$V_{sync\_H}$	Sync mode threshold high				1.3	V
$V_{sync\_L}$	Sync mode threshold low		0.5			V
<b>PGOOD SECTION</b>						
$V_{PGOOD}$	Power Good Threshold	$V_{OUT} = V_{fb}$		90		%Vout
$\Delta V_{PGOOD}$	Power Good Hysteresis	$V_{OUT} = V_{fb}$		4		%Vout
$V_{Pgood(low)}$	Power Good Low Voltage	Run to GND			0.4	V
$I_{LK-PGOOD}$	Power Good Leakage Current (*)	$V_{PGOOD} = 3.6\text{V}$		50		nA
<b>PROTECTIONS</b>						
HOVP	Hard overvoltage threshold	$V_{OUT} = V_{fb}$		10		%Vout

(\*) Guaranteed by design

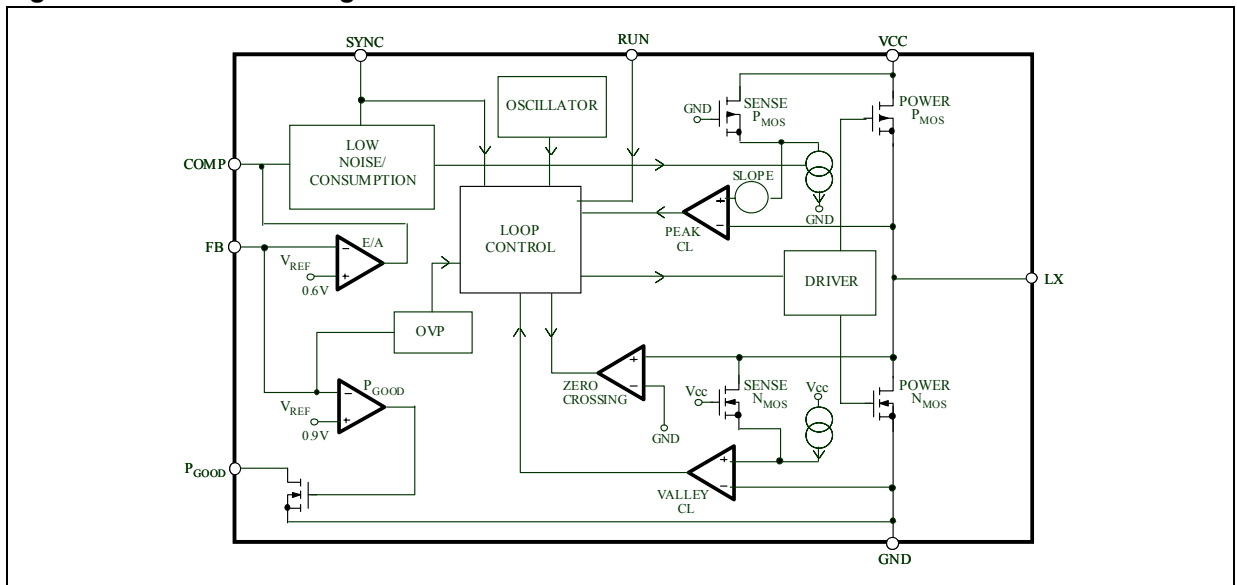
## 4 OPERATION DESCRIPTION

The main loop uses slope compensated PWM current mode architecture. Each cycle the high side MOSFET is turned on, triggered by the oscillator, so that the current flowing through it (the same as the inductor current) increases. When this current reaches the threshold (set by the output of the error amplifier E/A), the peak current limit comparator PEAK\_CL turns off the high side MOSFET and turns on the low side one until the next clock cycle begins or the current flowing through it goes down to zero (ZERO CROSSING comparator). The peak inductor current required to trigger PEAK\_CL depends on the slope compensation signal and on the output of the error amplifier.

In particular, the error amplifier output depends on the VFB pin voltage. When the output current increases, the output capacitor is discharged and so the VFB pin decreases. This produces increase of the error amplifier output, so allowing a higher value for the peak inductor current. For the same reason, when due to a load transient the output current decreases, the error amplifier output goes low, so reducing the peak inductor current to meet the new load requirements.

The slope compensation signal allows the loop stability also in high duty cycle conditions (see related section)

**Figure 4. Device Block Diagram**



### 4.1 Modes of Operation

Depending on the SYNC pin value the device can operate in low consumption or low noise mode. If the SYNC pin is high (higher than 1.3V) the low consumption mode is selected while the low noise mode is selected if the SYNC pin is low (lower than 0.5V).

#### 4.1.1 Low Consumption Mode

In this mode of operation, at light load, the device operates discontinuously based on the COMP pin voltage, in order to keep the efficiency very high also in these conditions. While the device is not switching the load discharges the output capacitor and the output voltage goes down. When the feedback voltage goes lower than the internal reference, the COMP pin voltage increases and when an internal threshold is reached, the device starts to switch. In these conditions the peak current limit is set approximately in the range of 200mA-400mA, depending on the slope compensation (see related section).

Once the device starts to switch the output capacitor is recharged. The feedback pin increases and, when it reaches a value slightly higher than the reference voltage, the output of the error amplifier goes down until a clamp is activated. At this point, the device stops to switch. In this phase, most of the internal circuitries are off, so reducing the device consumption down to a typical value of 25µA.

### 4.1.2 Low Noise Mode

If for noise reasons, the very low frequencies of the low consumption mode are undesirable, the low noise mode can be selected. In low noise mode, the efficiency is a little bit lower compared with the low consumption mode in very light load conditions but for medium-high load currents the efficiency values are very similar.

Basically, the device switches with its internal free running frequency of 1.4MHz. Obviously, in very light load conditions, the device could skip some cycles in order to keep the output voltage in regulation.

### 4.1.3 Synchronization

The device can also be synchronized with an external signal from 1MHz up to 2MHz.

In this case the low noise mode is automatically selected. The device will eventually skip some cycles in very light load conditions.

The internal synchronization circuit is inhibited in shortcircuit and overvoltage conditions in order to keep the protections effective (see relative sections).

## 4.2 Short Circuit Protection

During the device operation, the inductor current increases during the high side turn on phase and decrease during the high side turn off phase based on the following equations:

$$\Delta I_{ON} = \frac{(V_{IN} - V_{OUT})}{L} \cdot T_{ON}$$

$$\Delta I_{OFF} = \frac{V_{OUT}}{L} \cdot T_{OFF}$$

In strong overcurrent or shortcircuit conditions the  $V_{OUT}$  can be very close to zero. In this case  $\Delta I_{ON}$  increases and  $\Delta I_{OFF}$  decreases. When the inductor peak current reaches the current limit, the high side mosfet turns off and so the  $T_{ON}$  is reduced down to the minimum value (250ns typ.) in order to reduce as much as possible  $\Delta I_{ON}$ .

Anyway, if  $V_{OUT}$  is low enough it can be that the inductor peak current further increases because during the  $T_{OFF}$  the current decays very slowly.

Due to this reason a second protection that fixes the maximum inductor valley current has been introduced. This protection doesn't allow the high side MOSFET to turn on if the current flowing through the inductor is higher than a specified threshold (valley current limit). Basically the  $T_{OFF}$  is increased as much as required to bring the inductor current down to this threshold.

So, the maximum peak current in worst case conditions will be:

$$I_{PEAK} = I_{VALLEY} + \frac{V_{IN}}{L} \cdot T_{ON\_MIN}$$

Where  $I_{PEAK}$  is the valley current limit (1.4A typ.) and  $T_{ON\_MIN}$  is the minimum  $T_{ON}$  of the high side MOSFET.

### 4.3 Slope Compensation

In current mode architectures, when the duty cycle of the application is higher than approximately 50%, a pulse-by-pulse instability (the so called sub harmonic oscillation) can occur.

To allow loop stability also in these conditions a slope compensation is present. This is realized by reducing the current flowing through the inductor necessary to trigger the COMP comparator (with a fixed value for the COMP pin voltage).

With a given duty cycle higher than 50%, the stability problem is particularly present with an higher input voltage (due to the increased current ripple across the inductor), so the slope compensation effect increases as the input voltage increases.

From an application point of view, the final effect is that the peak current limit depends both on the duty cycle (if higher than approximately 40%) and on the input voltage.

#### 4.4 Loop Stability

Since the device is realized with a current mode architecture, the loop stability is usually not a big issue. For most of the application a 220pF connected between the COMP pin and ground is enough to guarantee the stability. In case very low ESR capacitors are used for the output filter, such as multilayer ceramic capacitors, the zero introduced by the capacitor itself can shift at very high frequency and the transient loop response could be affected. Adding a series resistor to the 220pF capacitor can solve this problem.

The right value for the resistor (in the range of 50K) can be determined by checking the load transient response of the device. Basically, the output voltage has to be checked at the scope after the load steps required by the application. In case of stability problems, the output voltage could oscillates before to reach the regulated value after a load step.

### 5 ADDITIONAL FEATURES AND PROTECTIONS

#### 5.1 DROPOUT Operation

The Li-Ion battery voltage ranges from approximately 3V and 4.1V-4.2V (depending on the anode material). In case the regulated output voltage is from 2.5V and 3.3V, it can be that, close to the end of the battery life, the battery voltage goes down to the regulated one. In this case the device stops to switch, working at 100% of duty cycle, so minimizing the dropout voltage and the device losses.

#### 5.2 PGOOD (Power Good Output)

A power good output signal is available. The VFB pin is internally connected to a comparator with a threshold set at 90% of the of reference voltage (0.6V). Since the output voltage is connected to the VFB pin by a resistor divider, when the output voltage goes lower than the regulated value, the VFB pin voltage goes lower than 90% of the internal reference value. The internal comparator is triggered and the PGOOD pin is pulled down.

The pin is an open drain output and so, a pull up resistor should be connected to him.

If the feature is not required, the pin can be left floating.

#### 5.3 ADJUSTABLE OUTPUT VOLTAGE

The output voltage can be adjusted by an external resistor divider from a minimum value of 0.6V up to the input voltage. The output voltage value is given by:

$$V_{OUT} = 0.6 \cdot \left(1 + \frac{R_2}{R_1}\right)$$

#### 5.4 OVP (Overvoltage Protection)

The device has an internal overvoltage protection circuit to protect the load.

If the voltage at the feedback pin goes higher than an internal threshold set 10% (typ) higher than the reference voltage, the low side power mosfet is turned on until the feedback voltage goes lower than the reference one.

During the overvoltage circuit intervention, the zero crossing comparator is disabled so that the device is also able to sink current.

#### 5.5 THERMAL SHUTDOWN

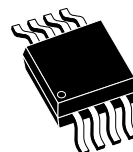
The device has also a thermal shutdown protection activated when the junction temperature reaches 150°C. In this case both the high side MOSFET and the low side one are turned off. Once the junction temperature goes back lower than 95°C, the device restarts the normal operation.

Figure 5. MSOP8 Mechanical Data &amp; Package Dimensions

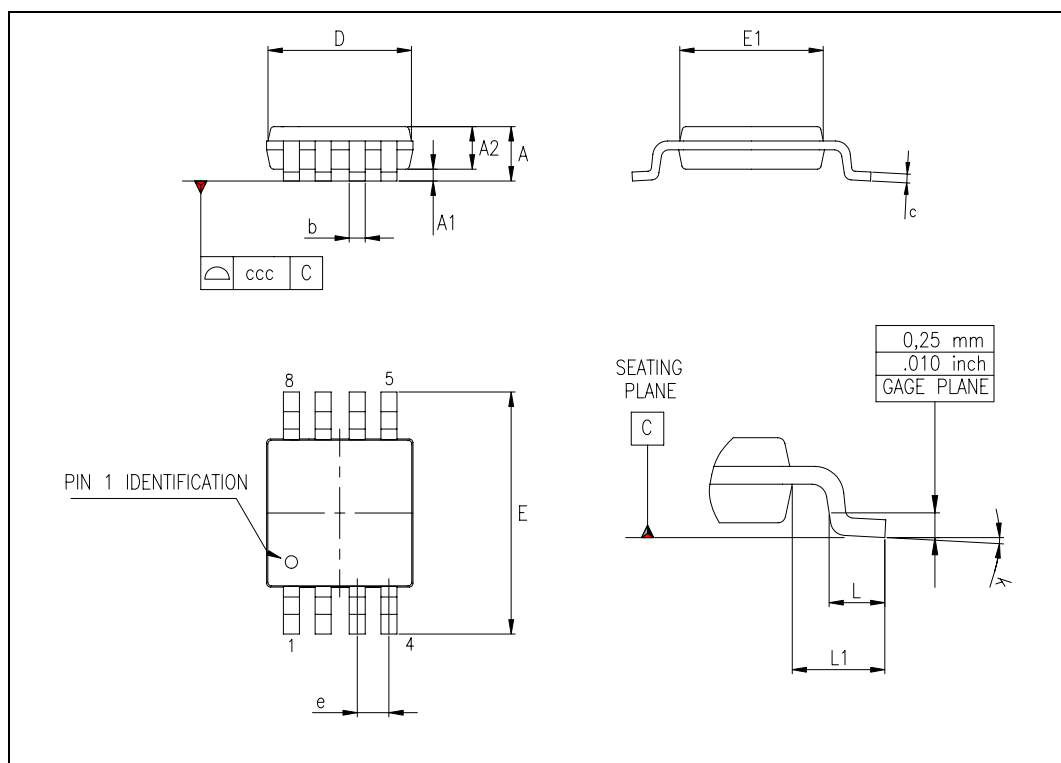
DIM.	mm			inch		
	MIN.	TYP.	MAX.	MIN.	TYP.	MAX.
A			1.10			0.043
A1	0.050		0.150	0.002		0.006
A2	0.750	0.850	0.950	0.03	0.033	0.037
b	0.250		0.400	0.010		0.016
c	0.130		0.230	0.005		0.009
D (1)	2.900	3.000	3.100	0.114	0.118	0.122
E	4.650	4.900	5.150	0.183	0.193	0.20
E1 (1)	2.900	3.000	3.100	0.114	0.118	0.122
e		0.650			0.026	
L	0.400	0.550	0.700	0.016	0.022	0.028
L1		0.950			0.037	
k	0° (min.) 6° (max.)					
aaa			0.100			0.004

Note: 1. D and F does not include mold flash or protrusions. Mold flash or protrusions shall not exceed 0.15mm (.006inch) per side.

### OUTLINE AND MECHANICAL DATA



### MSOP8 (Body 3mm)



**Table 6. Revision History**

<b>Date</b>	<b>Revision</b>	<b>Description of Changes</b>
October 2004	1	First Issue.
February 2005	2	Changed from Product Preview to Final datasheet.



Information furnished is believed to be accurate and reliable. However, STMicroelectronics assumes no responsibility for the consequences of use of such information nor for any infringement of patents or other rights of third parties which may result from its use. No license is granted by implication or otherwise under any patent or patent rights of STMicroelectronics. Specifications mentioned in this publication are subject to change without notice. This publication supersedes and replaces all information previously supplied. STMicroelectronics products are not authorized for use as critical components in life support devices or systems without express written approval of STMicroelectronics.

The ST logo is a registered trademark of STMicroelectronics.  
All other names are the property of their respective owners

© 2005 STMicroelectronics - All rights reserved

STMicroelectronics group of companies

Australia - Belgium - Brazil - Canada - China - Czech Republic - Finland - France - Germany - Hong Kong - India - Israel - Italy - Japan -  
Malaysia - Malta - Morocco - Singapore - Spain - Sweden - Switzerland - United Kingdom - United States of America

[www.st.com](http://www.st.com)