

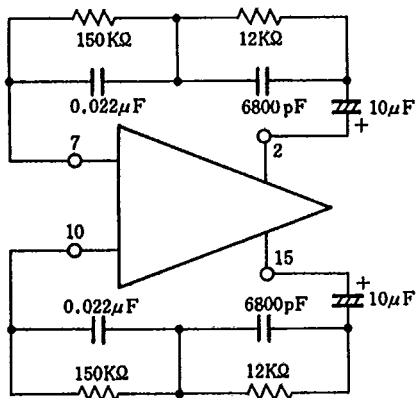


# ECG1083

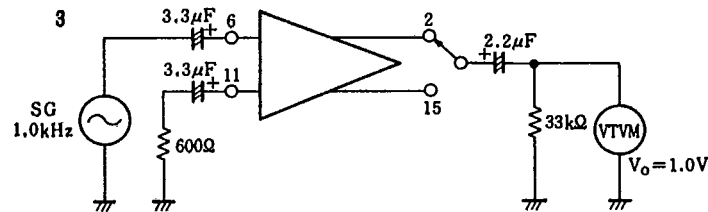
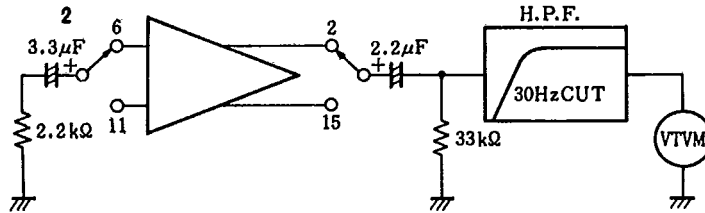
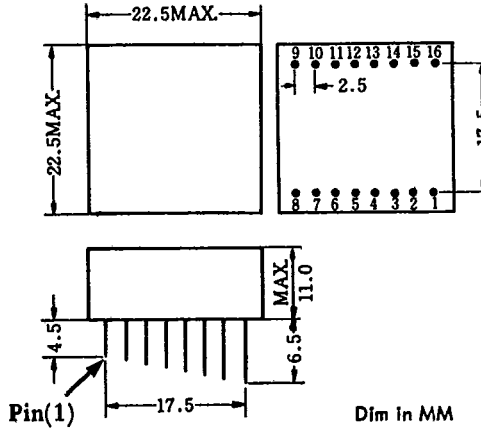
## DUAL CHANNEL HYBRID AUDIO PRE-AMPLIFIER MODULE

### Test Circuits

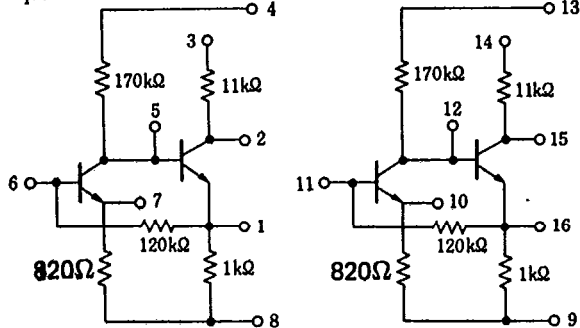
#### 1 Noise Figure



### Outline



### Equivalent Circuit



### Absolute Maximum Ratings (T<sub>a</sub> = 25 °C)

V <sub>cc</sub>	28	V
I <sub>cc</sub>	5	mA
V <sub>i</sub> input	1.0	V
T <sub>opt</sub>	-20 ~ +65	°C
T <sub>stg</sub>	-30 ~ +80	°C

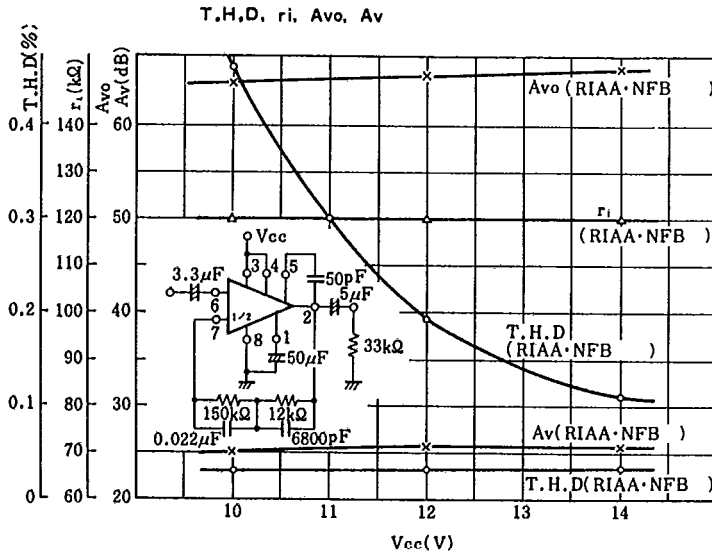
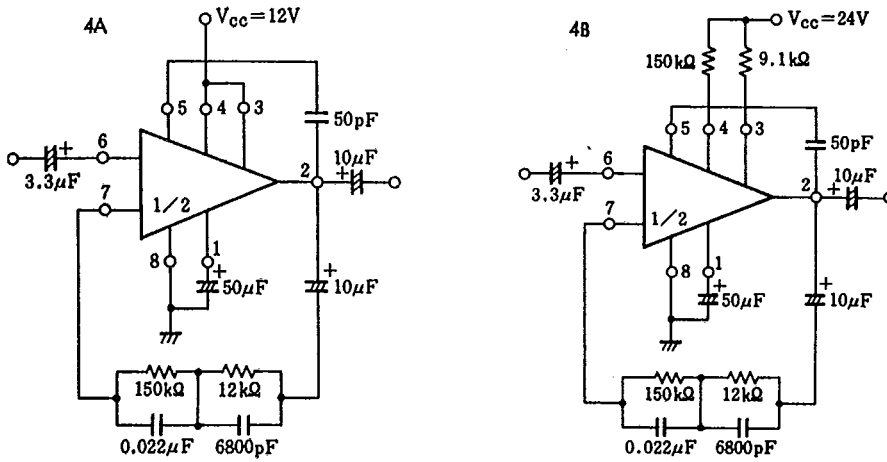
ECG1083

718

Electrical Characteristics (T<sub>a</sub>=25°C V<sub>cc</sub>=12V)

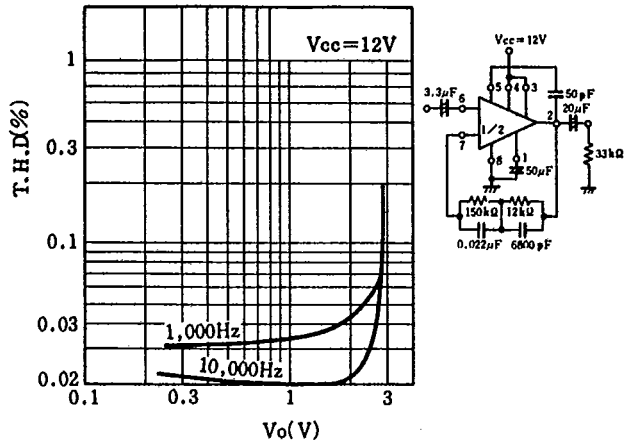
Item	Conditions	Test Ckt.	Min	Typ	Max	Units
A <sub>vo</sub>	f=1.0KHz, R <sub>L</sub> =33KΩ		60	64		dB
V <sub>omax</sub>	f=1.0KHz, R <sub>L</sub> =33KΩ	1	2.2	2.5		V
NL		1			60	μV
T.H.D	V <sub>o</sub> =1.0V <sub>rms</sub> f=1.0KHz, R <sub>L</sub> =33KΩ	1			0.1	%
r <sub>i</sub>	f=1.0KHz, R <sub>L</sub> =33KΩ	1	100	120		KΩ
r <sub>o</sub>	f=1.0KHz	1		40	100	Ω
			-60			dB
I <sub>cc</sub>				670		μA

Test Circuits

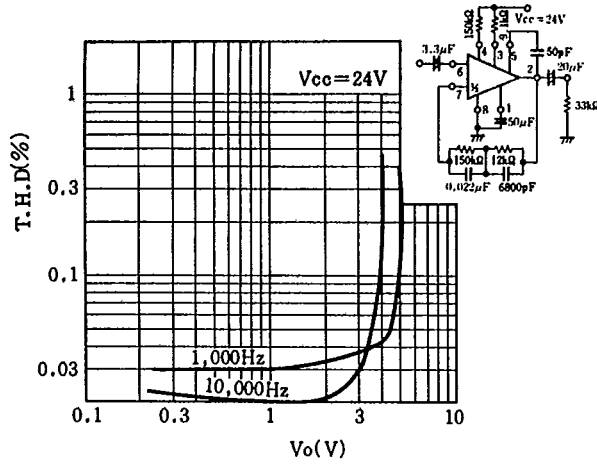


Signal Frequency 1.0KHz  
 Signal Level -60dBm(0.775mV)  
 Output Voltage 1.0VOLT (T.H.D, r<sub>i</sub>)

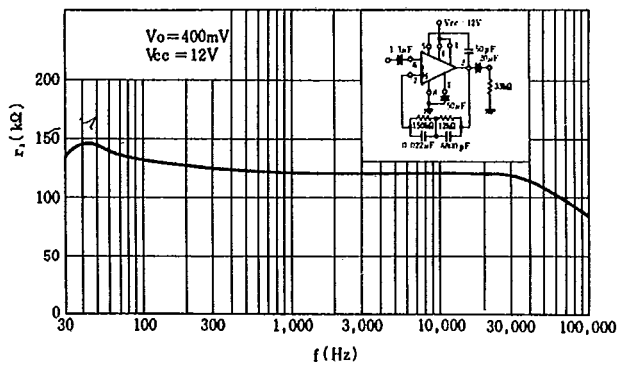
Total Harmonic Distortion vs. Output Voltage



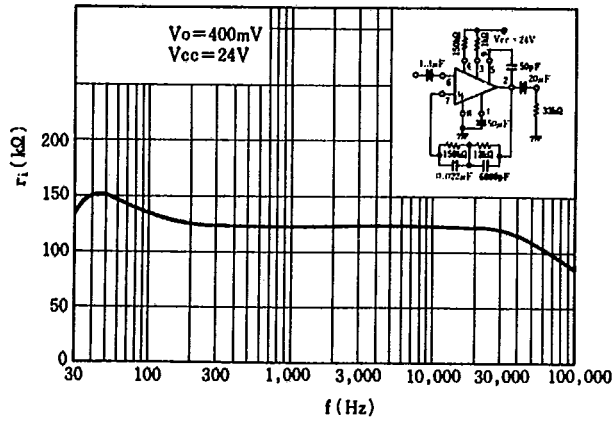
Total Harmonic Distortion vs. Output Voltage



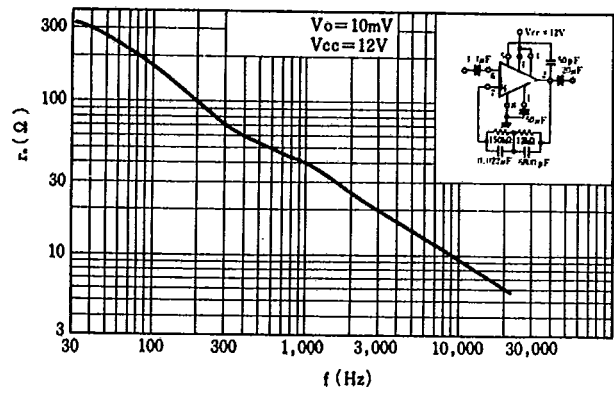
Input R vs. Frequency



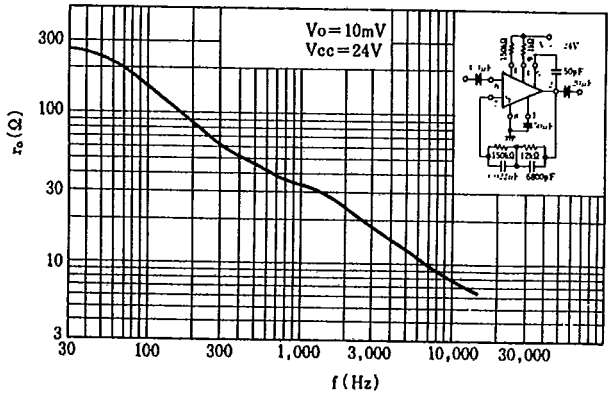
Input R vs. Frequency

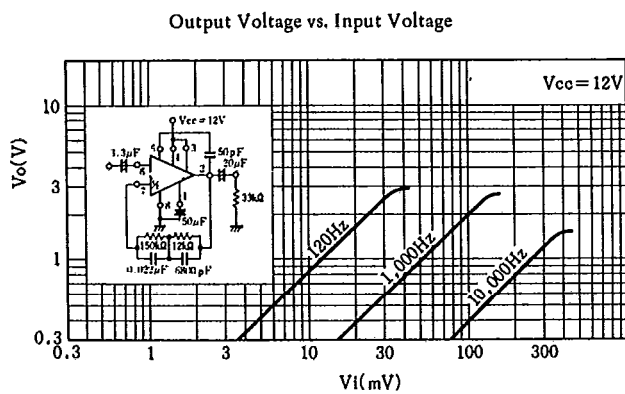
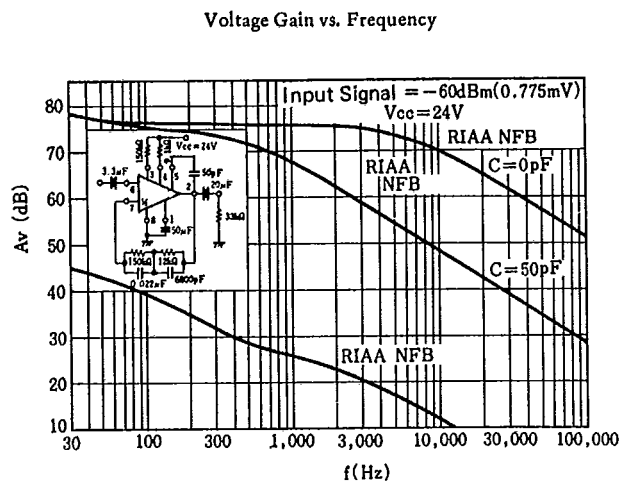
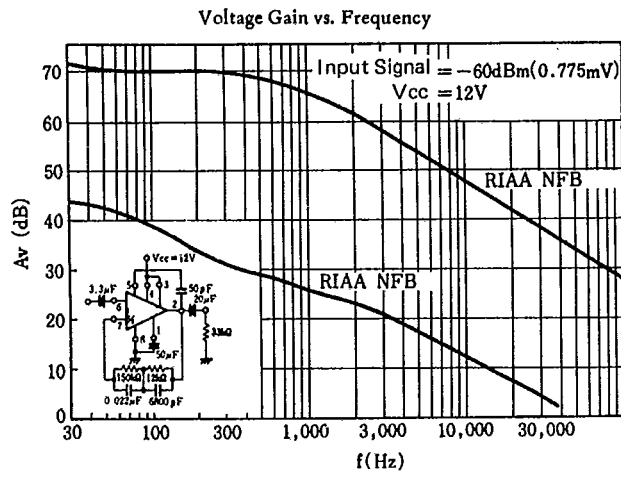


Output R vs. Frequency

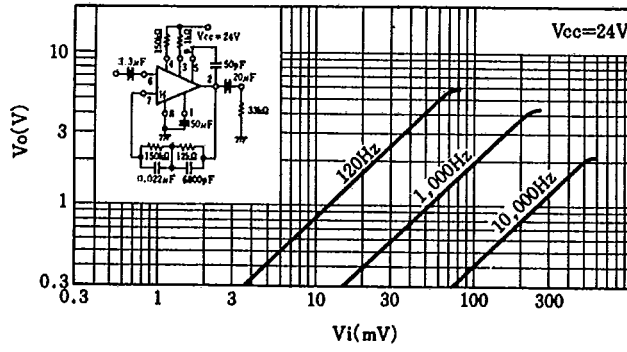


Output R vs. Frequency

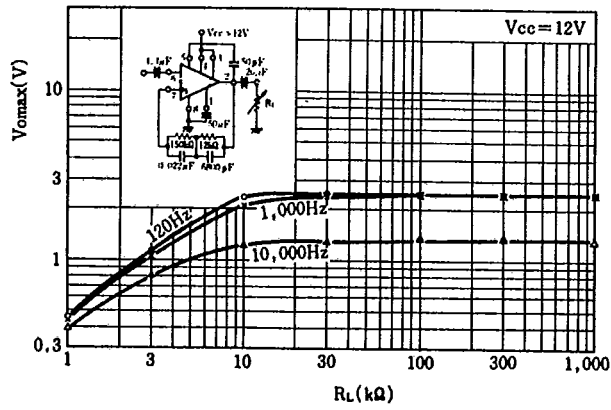




Output Voltage vs. Input Voltage



Output Voltage vs. RL



Output Voltage vs. RL

