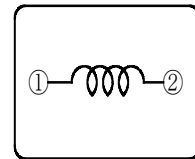
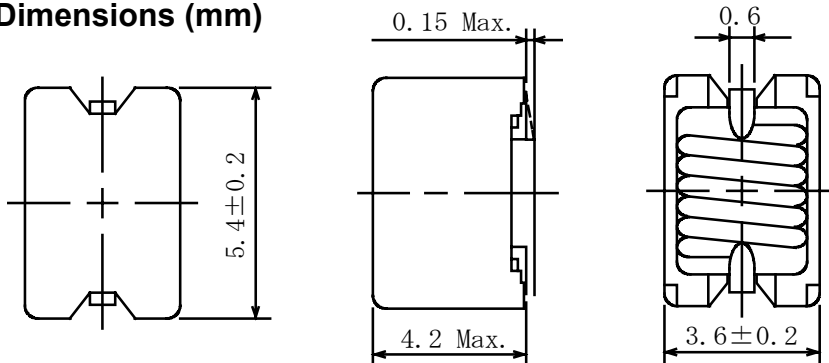
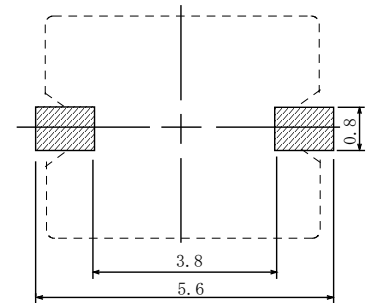


**Type: CFE534**
**◆ Product Description**

- 5.6×3.8mm Max.(L×W), 4.2mm Max. Height.
- Inductance range:10nH~43nH, Operating frequency: 1GHz Max.
- In addition to the reference versions of parameters shown here, custom designs are available to meet your exact requirements


**◆ Feature**

- Unshielded fixed type.
- Small size low profile dimensions.
- RoHS Compliance

**◆ Connection (Bottom View)**

**◆ Dimensions (mm)**

**◆ Land Pattern (mm)**


\* Dimension does not include solder used on coil.

**◆ Specification**

Part No.	Stamp	Inductance [Within]※1	Unloaded Q [Typ.]※1	S.R.F. [Min.](MHz)	Rated Current (A) ※2
CFE534NP-10ØKC	10	10nH±10%	120	1000	1.0
CFE534NP-12ØKC	12	12nH±10%	130	1000	1.0
CFE534NP-15ØKC	15	15nH±10%	130	1000	1.0
CFE534NP-18ØKC	18	18nH±10%	130	1000	1.0
CFE534NP-22ØKC	22	22nH±10%	130	1000	1.0
CFE534NP-27ØKC	27	27nH±10%	130	1000	1.0
CFE534NP-33ØKC	33	33nH±10%	130	1000	1.0
CFE534NP-39ØKC	39	39nH±10%	135	1000	1.0
CFE534NP-43ØKC	43	43nH±10%	135	1000	1.0

※1. 10nH~43nH inductance and unloaded Q measured at a frequency of 150MHz.

※2 . Rated current: The D.C. current at which the inductance decreases to 90% of its initial value or when Δt=40°C, whichever is lower(Ta=20°C).