



**TO-251 Plastic-Encapsulate Transistors**

**C 2611**

TRANSISTOR ( NPN )

**FEATURES**

Power dissipation

$$P_{CM} : 1 \quad W \quad (T_{amb}=25 \quad )$$

Collector current

$$I_{CM} : 0.2 \quad A$$

Collector-base voltage

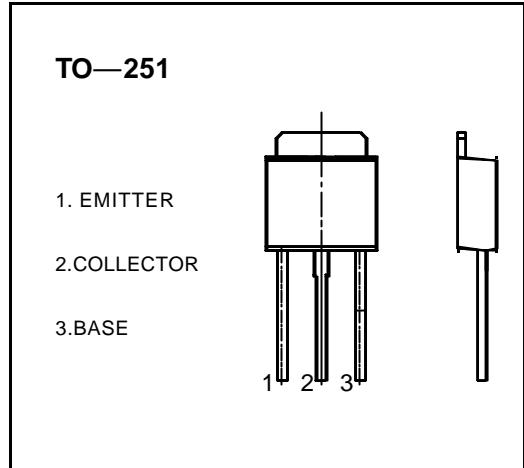
$$V_{(BR)CBO} : 600 \quad V$$

Operating and storage junction temperature range

$$T_J, T_{stg}: -55 \quad \text{to} \quad +150$$

**ELECTRICAL CHARACTERISTICS (  $T_{amb}=25$**

**unless otherwise specified )**



Parameter	Symbol	Test conditions	MIN	TYP	MAX	UNIT
Collector-base breakdown voltage	$V_{(BR)CBO}$	$I_C=100 \mu A, I_E=0$	600			V
Collector-emitter breakdown voltage	$V_{(BR)CEO}$	$I_C=1 \text{ mA}, I_B=0$	400			V
Emitter-base breakdown voltage	$V_{(BR)EBO}$	$I_E=100 \mu A, I_C=0$	7			V
Collector cut-off current	$I_{CBO}$	$V_{CB}=600 \text{ V}, I_E=0$			100	$\mu A$
Collector cut-off current	$I_{CEO}$	$V_{CE}=400 \text{ V}, I_B=0$			200	$\mu A$
Emitter cut-off current	$I_{EBO}$	$V_{EB}=7 \text{ V}, I_C=0$			100	$\mu A$
DC current gain	$h_{FE(1)}$	$V_{CE}=20 \text{ V}, I_C=20 \text{ mA}$	10		40	
	$h_{FE(2)}$	$V_{CE}=10 \text{ V}, I_C=0.25 \text{ mA}$	5			
Collector-emitter saturation voltage	$V_{CE(sat)}$	$I_C=50 \text{ mA}, I_B=10 \text{ mA}$			0.5	V
Base-emitter saturation voltage	$V_{BE(sat)}$	$I_C=50 \text{ mA}, I_B=10 \text{ mA}$			1.2	V
Transition frequency	$f_T$	$V_{CE}=20 \text{ V}, I_C=20 \text{ mA}$ $f = 1 \text{ MHz}$	8			MHz
Fall time	$t_f$	$I_C=50 \text{ mA}, I_{B1}=-I_{B2}=5 \text{ mA}$			0.3	$\mu s$
Storage time	$t_s$	$V_{CC}=45 \text{ V}$			1.5	$\mu s$

**CLASSIFICATION OF  $h_{FE(1)}$**

Rank						
Range	10-15	15-20	20-25	25-30	30-35	35-40

# Typical Characteristics

C2611

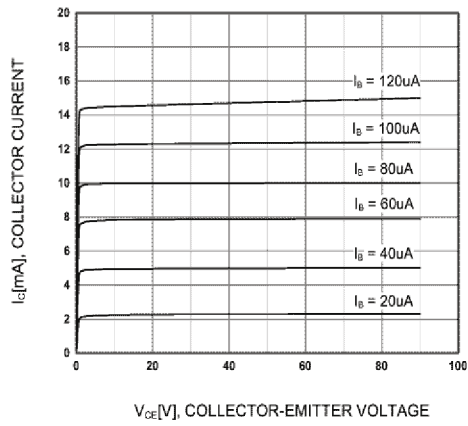


Figure 1. Static Characteristic

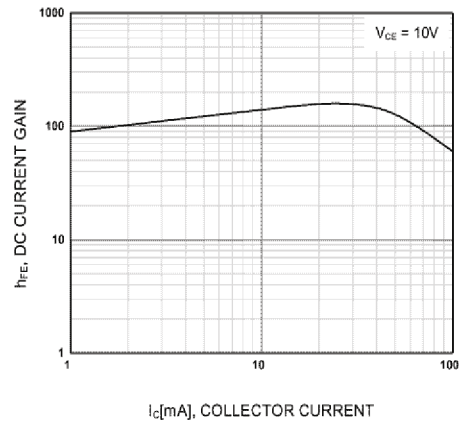


Figure 2. DC current Gain

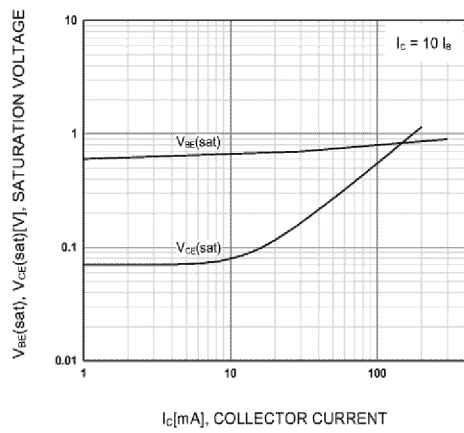


Figure 3. Base-Emitter Saturation Voltage  
Collector-Emitter Saturation Voltage

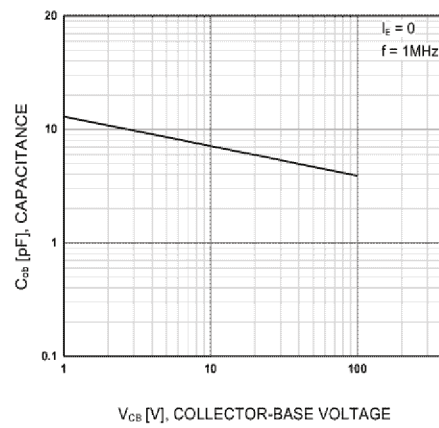
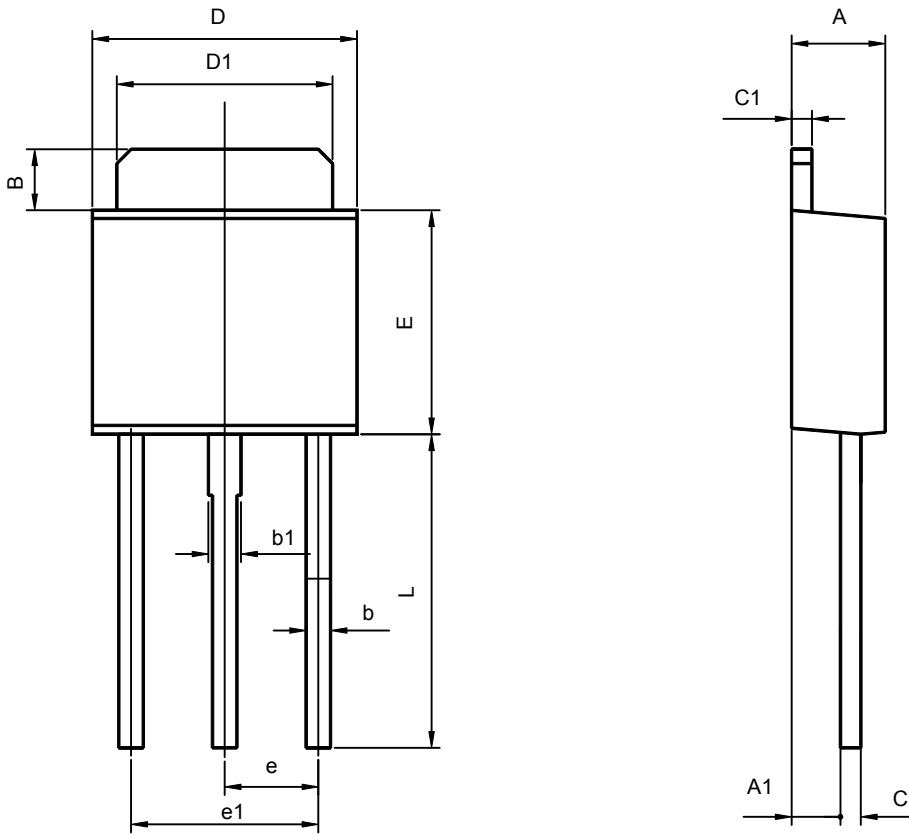


Figure 4. Collector Output Capacitance

# TO-251 PACKAGE OUTLINE DIMENSIONS



Symbol	Dimensions In Millimeters		Dimensions In Inches	
	Min	Max	Min	Max
A	2.200	2.400	0.087	0.094
A1	1.020	1.270	0.040	0.050
B	1.350	1.650	0.053	0.065
b	0.500	0.700	0.020	0.028
b1	0.700	0.900	0.028	0.035
c	0.430	0.580	0.017	0.023
c1	0.430	0.580	0.017	0.023
D	6.350	6.650	0.250	0.262
D1	5.200	5.400	0.205	0.213
E	5.400	5.700	0.213	0.224
e	2.300TYP		0.091TYP	
e1	4.500	4.700	0.177	0.185
L	7.500	7.900	0.295	0.311