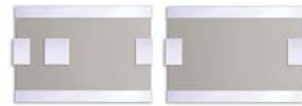


MULTI-LAYER DIELECTRIC FILTER



4.5 x 3.2 x 1.5mm

ADFC43 Series

*RoHS COMPLIANT

STANDARD SPECIFICATIONS:

| ADFC43-1200.00 - A | | | |
|----------------------|------|----------|---------|
| CHARACTERISTICS | UNIT | TYP. | TOL. |
| Center Frequency Fc | MHz | 1200.00 | *+/-2.0 |
| Bandwidth | MHz | +/-250.0 | *+/-1.0 |
| Insertion Loss | dB | ≤2.0 | *+/-0.5 |
| Ripple | dB | ≤1.5 | ≤0.5 |
| V.S.W.R. | BW | ≤2.2 | *+/-0.2 |
| Relative Attenuation | | | |
| 1650 ~ 2150 MHz | dB | ≥17 | *+/-0.2 |

| ADFC43-1900.00 - C | | | |
|----------------------|------|----------|---------|
| CHARACTERISTICS | UNIT | TYP. | TOL. |
| Center Frequency Fc | MHz | 1900.00 | *+/-2.0 |
| Bandwidth | MHz | +/-250.0 | *+/-1.0 |
| Insertion Loss | dB | ≤2.0 | *+/-0.5 |
| Ripple | dB | ≤1.5 | ≤0.5 |
| V.S.W.R. | BW | ≤2.2 | *+/-0.2 |
| Relative Attenuation | | | |
| 950 ~ 1450 MHz | dB | ≥25 | *+/-0.2 |

| ADFC43-1527.00 - B | | | |
|----------------------|------|---------|---------|
| CHARACTERISTICS | UNIT | TYP. | TOL. |
| Center Frequency Fc | MHz | 1527.00 | *+/-2.0 |
| Bandwidth | MHz | +/-42.0 | *+/-1.0 |
| Insertion Loss | dB | ≤3.0 | *+/-0.5 |
| Ripple | dB | ≤1.0 | *+/-0.5 |
| V.S.W.R. | BW | ≤2.0 | *+/-0.2 |
| Relative Attenuation | | | |
| 742 ~ 785 MHz | dB | ≥35 | *+/-0.2 |
| 902 ~ 929 MHz | dB | ≥30 | *+/-0.2 |
| 2226 ~ 2355 MHz | dB | ≥40 | *+/-0.2 |

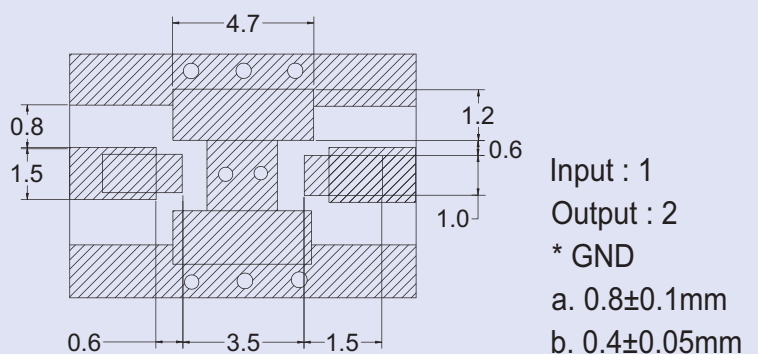
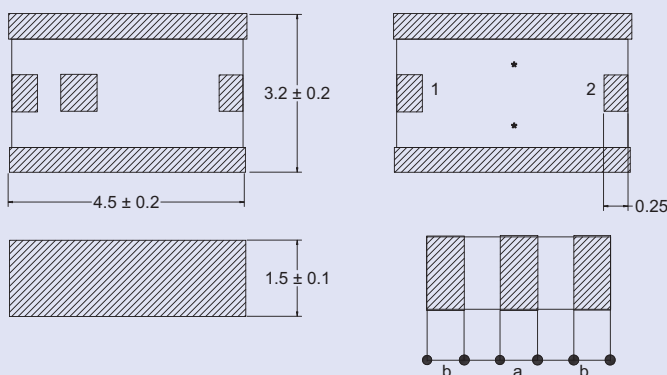
| ADFC43-1400.00 - D | | | |
|----------------------|------|---------|---------|
| CHARACTERISTICS | UNIT | TYP. | TOL. |
| Center Frequency Fc | MHz | 1400.00 | *+/-2.0 |
| Bandwidth | MHz | +/-20.0 | *+/-1.0 |
| Insertion Loss | dB | ≤2.5 | *+/-0.5 |
| Ripple | dB | ≤1.0 | *+/-0.5 |
| V.S.W.R. | BW | ≤2.0 | *+/-0.2 |
| Relative Attenuation | | | |
| 1000 ~ 1050 MHz | dB | ≥35 | |
| 1650 ~ 1700 MHz | dB | ≥30 | |

*Post Environmental Tolerance

PACKAGING: -T= Tape and Reel (1,000pcs/reel)

| | |
|--------------------------|---------------------------|
| Operating Temperature | -40°C to +85°C |
| Storage Temperature | -40°C to +85°C |
| Impedance @ Input/Output | 50Ω |
| Input Power | 1W |
| Reliability (MTBF) | 1x10 ⁻⁶ /pc.hr |

OUTLINE DRAWING:



Input : 1
Output : 2
* GND
a. 0.8±0.1mm
b. 0.4±0.05mm

Dimensions: inch (mm)