

MODEL 43

3 mm Multi-Turn Sealed Surface Mount Cermet Trimming Potentiometer RoHS compliant



MODELS AVAILABLE

| | |
|----------------------|-----|
| J hook surface mount | 43W |
|----------------------|-----|

ELECTRICAL¹

| | |
|---------------------------------------|--|
| Resistance Range | 10 Ohm to 2 Megohms |
| Standard Resistance Tolerance | ± 20% |
| Input Voltage, Maximum | 200 Vdc or rms, not to exceed power rating |
| Power rating, Watts | 0.125 @ 70°C, derating to 0 @ 150°C |
| End Resistance, Maximum | 1% or 3 Ohms, whichever is greater |
| Actual Electrical Travel, Nominal | 11 turns |
| Dielectric Strength | 600 V AC |
| Insulation Resistance, Minimum | 100 Megohms |
| Resolution | Essentially infinite |
| Contact Resistance Variation, Maximum | 3% or 3 Ohms, whichever is greater |
| Temperature Coefficient of Resistance | ±100 ppm/°C |

MECHANICAL

| | |
|-----------------|-------------|
| Mechanical Stop | Wiper idles |
| Torque, Maximum | 2.5 in. oz. |
| Weight, Approx. | 0.01 oz. |
| Wiper Position | Approx. 50% |

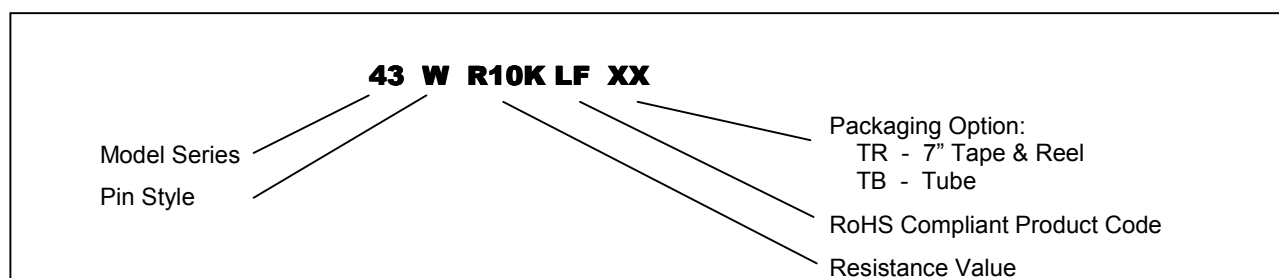
¹ Specifications subject to change without notice.

MODEL 43

ENVIRONMENTAL

| | |
|--|--|
| Seal | 85°C Fluorinert® |
| Operating Temperature Range | -65°C to +150°C |
| Thermal Shock, 5 cycles, -55°C to +125°C | 2% ΔR, 2% ΔV Ratio max. |
| Moisture Resistance, Ten 24 Hour Cycles | 3% ΔR |
| Shock, 6 ms Sawtooth 100G's | 1% ΔR, 1% ΔV Ratio max. |
| Vibration, 20G's to 2000 Hz | 1% ΔR, 1% ΔV Ratio max. |
| High Temperature Exposure, 250 Hours @ 125°C | 2% ΔR, 2% ΔV Ratio max. |
| Rotational Life, 200 Cycles | 3% ΔR |
| Load Life, 0.125W, 1000 Hours, 70°C | 4% ΔR or 4 ohms which ever is greatest, 2% ΔV Ratio max. |
| Resistance to Solder Heat | 260°C for 5 sec. |

ORDERING INFORMATION²



PACKAGING INFORMATION

Tape & Reel

| | |
|-------------------|-----------|
| Tape Width | 12 mm |
| Sprocket Pitch | 4 mm |
| Reel Diameter | 7 inches |
| Quantity per Reel | 500 units |

Tubes

| | |
|--|-------------------|
| Anti-Static Tubes, all units oriented with #1 pin to the same side | 50 units per tube |
|--|-------------------|

STANDARD RESISTANCE VALUES, OHMS

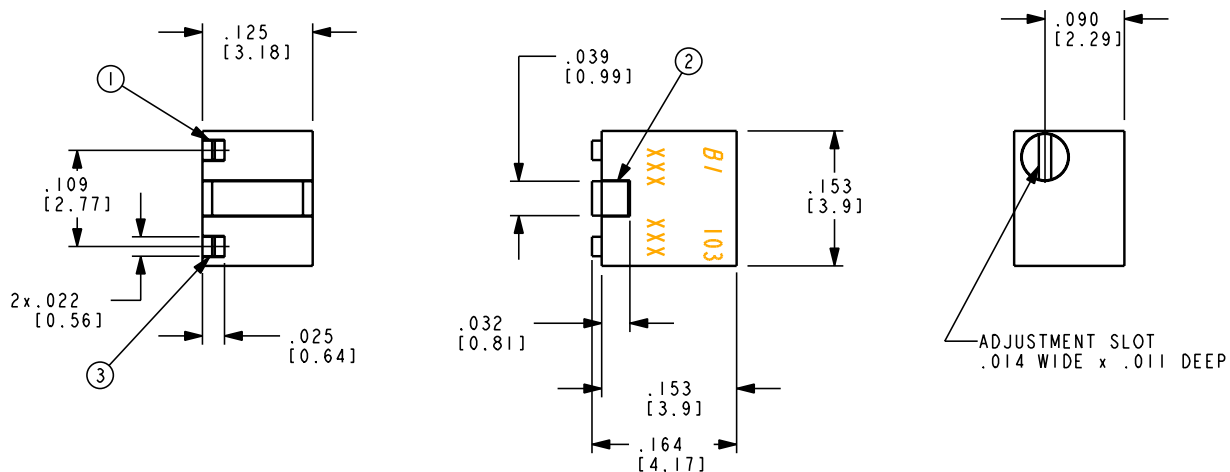
| | | | | | |
|----|-----|----|-----|------|-------|
| 10 | 100 | 1K | 10K | 100K | 1 Meg |
| 20 | 200 | 2K | 20K | 200K | 2 Meg |
| 50 | 500 | 5K | 50K | 500K | |

² Contact our customer service for custom designs and features.

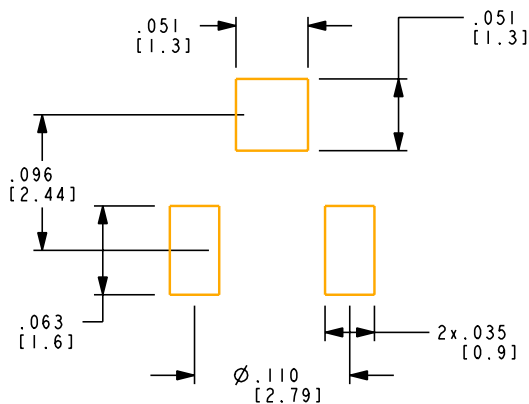
MODEL 43

OUTLINE DRAWING³

Model 43W

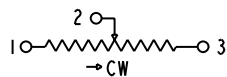


RECOMMENDED PCB LAYOUT (INCH/mm)



DIMENSIONS ARE : INCHES (mm)
TOLERANCES : $\pm .010$ (.25) EXCEPT WHERE NOTED

CIRCUIT DIAGRAM



³ Dimensions are Inches (mm), Tolerances are $\pm .01$ inch ($\pm .025$ mm) unless otherwise stated.