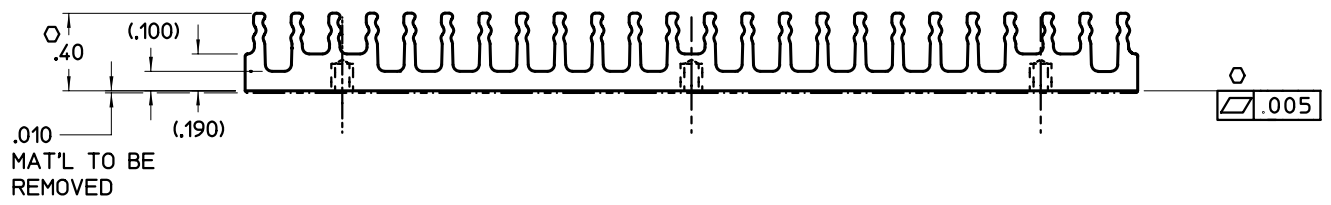
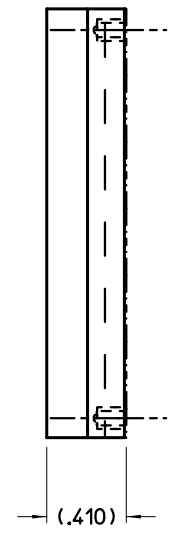
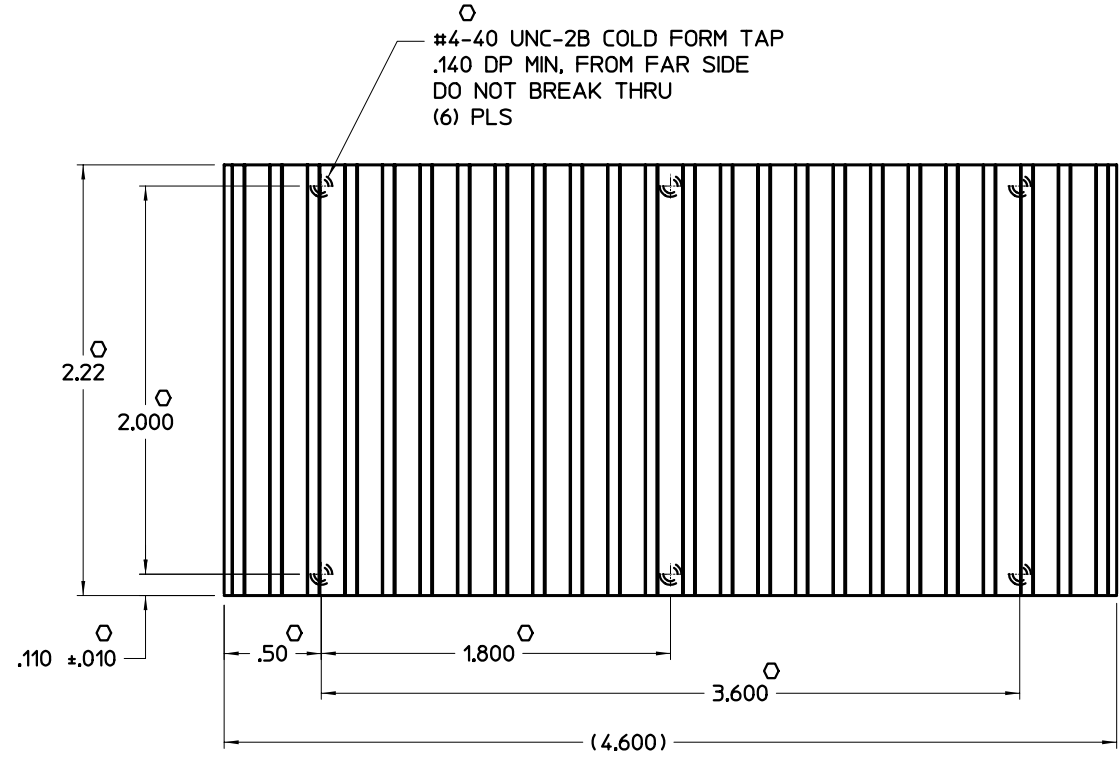


VICOR CONFIDENTIAL  
 THIS DOCUMENT AND THE DATA DISCLOSED  
 HEREIN OR HEREWITH IS NOT TO BE REPRODUCED,  
 USED, OR DISCLOSED IN WHOLE OR IN PART  
 TO ANYONE WITHOUT PERMISSION OF VICOR CORP.

REV.	DESCRIPTION	DATE	APPROVED
#1	RELEASED FOR DEVELOPMENT	DPK 4/30/97	SWN
#2	REVISED NOTES AND # OF FINS	DPK 11/18/97	SWN
#3	ADDED ±.010 TOL TO DIM	DPK 12/8/97	SWN
#4	.50 WAS .500: REMOVED P/N STAMPING	DPK 8/24/98	SWN
#5	.40 WAS .400: ADDED 'O' TO .190 & .100	DPK 9/10/98	SWN
#6	ADDED NOTE 4, CRITICAL CHA. 'O'	AK 10/6/99	SWN



NOTES

1. MAKE FROM VICOR EXTRUSION P/N 17508.
2. REMOVE ALL BURRS AND SHARP EDGES.
3. FINISH. CLEAR CHROMATE.
4. 'O' DENOTES CRITICAL CHARACTERISTICS FOR LOT INSPECTION.

DRAWN BY D.P. KELLY		DATE 4/97			
<small>UNLESS OTHERWISE SPECIFIED          DIMENSIONS ARE IN INCHES          TOLERANCES ARE:          FRACTIONS DECIMALS ANGLES          #/64 .001 #°          .001±.005 #°</small>					
THIRD ANGLE PROJECTION		SIZE <b>C</b>	FSCH NO. <b>67131</b>	DWG NO. 17510	REV #6
DO NOT SCALE DRAWING		SCALE 2-1	SHEET 1 OF 1		