

FEATURES

- Max. propagation delay of 1500ps
- IEE min. of -120mA
- Industry standard 100K ECL levels
- Extended supply voltage option:
VEE = -4.2V to -5.5V
- Voltage and temperature compensation for improved noise immunity
- Internal 75KΩ input pull-down resistors
- 120% faster than Fairchild
- Approximately 40% lower power than Fairchild
- Function and pinout compatible with Fairchild F100K
- Available in 24-pin CERPACK and 28-pin PLCC packages

DESCRIPTION

The SY100S366 is an ultra-fast 9-bit magnitude comparator designed for use in high-performance ECL systems. The device compares the arithmetic value of two 9-bit words and indicates whether one word is greater than or equal to the other. The inputs on the device have 75KΩ pull-down resistors.

PIN NAMES

Pin	Function
A0 – A8	A Data Inputs
B0 – B8	B Data Inputs
A > B	A Greater Than B Output
B > A	B Greater Than A Output
$\overline{A = B}$	Complement A Equal to B Output (Active LOW)
VEES	VEE Substrate
VCCA	Vcco for ECL Outputs

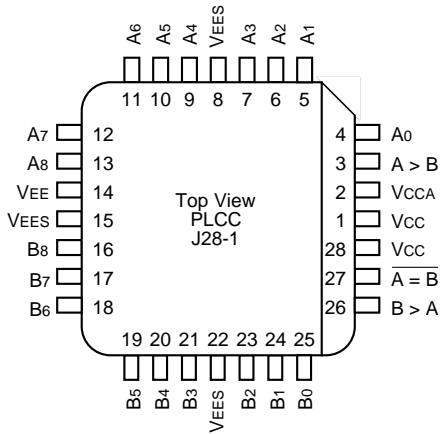
PACKAGE/ORDERING INFORMATION

Ordering Information

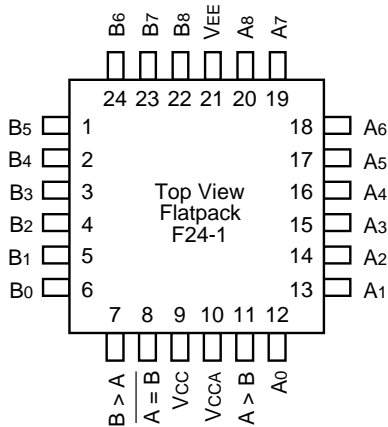
Part Number	Package Type	Operating Range	Package Marking	Lead Finish
SY100S366FC	F24-1	Commercial	SY100S366FC	Sn-Pb
SY100S366FCTR ⁽¹⁾	F24-1	Commercial	SY100S366FC	Sn-Pb
SY100S366JC	J28-1	Commercial	SY100S366JC	Sn-Pb
SY100S366JCTR ⁽¹⁾	J28-1	Commercial	SY100S366JC	Sn-Pb
SY100S366JZ ⁽²⁾	J28-1	Commercial	SY100S366JZ with Pb-Free bar-line indicator	Matte-Sn
SY100S366JZTR ^(1, 2)	J28-1	Commercial	SY100S366JZ with Pb-Free bar-line indicator	Matte-Sn

Notes:

1. Tape and Reel.
2. Pb-Free package is recommended for new designs.

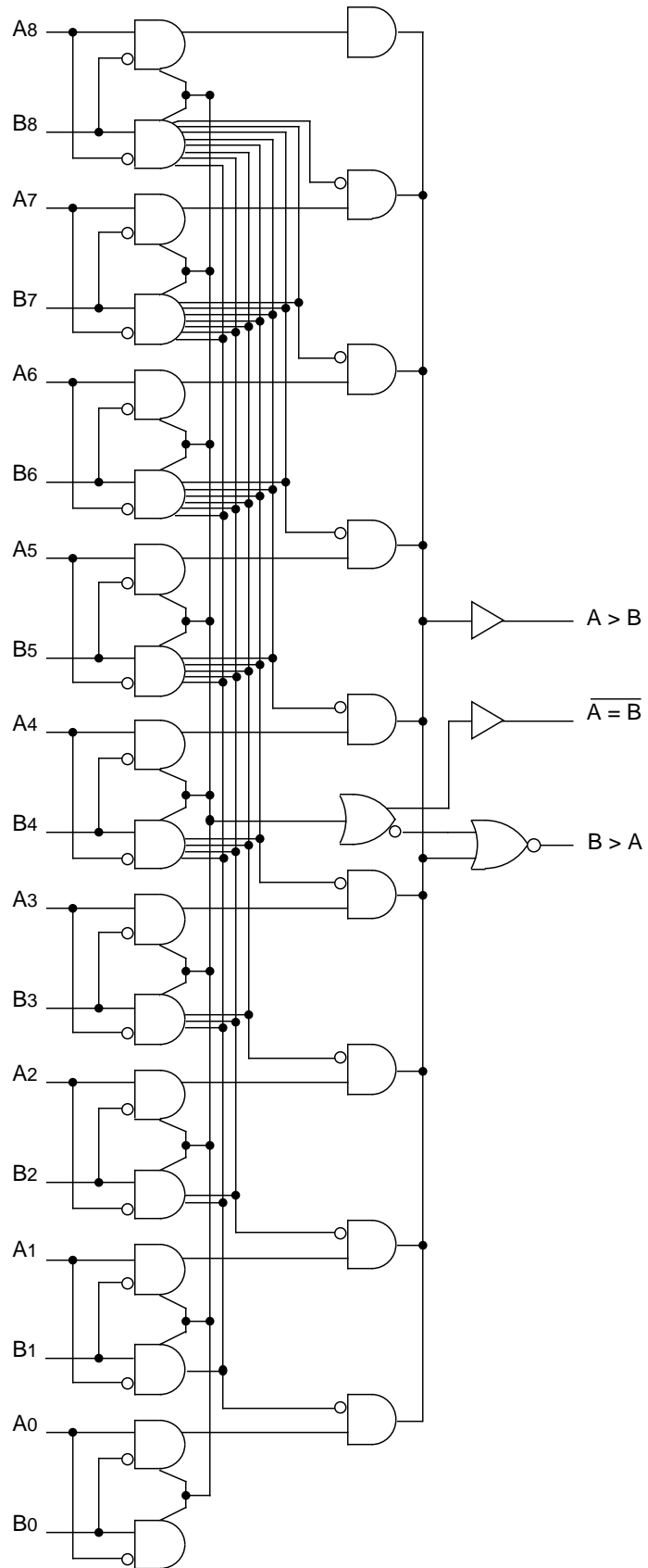


28-Pin PLCC (J28-1)



24-Pin Cerpack (F24-1)

BLOCK DIAGRAM



TRUTH TABLE⁽¹⁾

Inputs									Outputs		
A8B8	A7B7	A6B6	A5B5	A4B4	A3B3	A2B2	A1B1	A0B0	A > B	B > A	A = B
H L L H A8 = B8 A8 = B8	H L L H								H L H L	L H L H	H H H H
A8 = B8 A8 = B8 A8 = B8 A8 = B8	A7 = B7 A7 = B7 A7 = B7 A7 = B7	H L L H A6 = B6 A6 = B6							H L H L	L H L H	H H H H
A8 = B8 A8 = B8 A8 = B8 A8 = B8	A7 = B7 A7 = B7 A7 = B7 A7 = B7	A6 = B6 A6 = B6 A6 = B6 A6 = B6	A5 = B5 A5 = B5 A5 = B5 A5 = B5	H L L H A4 = B4 A4 = B4					H L H L	L H L H	H H H H
A8 = B8 A8 = B8 A8 = B8 A8 = B8	A7 = B7 A7 = B7 A7 = B7 A7 = B7	A6 = B6 A6 = B6 A6 = B6 A6 = B6	A5 = B5 A5 = B5 A5 = B5 A5 = B5	A4 = B4 A4 = B4 A4 = B4 A4 = B4	A3 = B3 A3 = B3 A3 = B3 A3 = B3	H L L H A2 = B2 A2 = B2			H L H L	L H L H	H H H H
A8 = B8 A8 = B8 A8 = B8 A8 = B8	A7 = B7 A7 = B7 A7 = B7 A7 = B7	A6 = B6 A6 = B6 A6 = B6 A6 = B6	A5 = B5 A5 = B5 A5 = B5 A5 = B5	A4 = B4 A4 = B4 A4 = B4 A4 = B4	A3 = B3 A3 = B3 A3 = B3 A3 = B3	A2 = B2 A2 = B2 A2 = B2 A2 = B2	A1 = B1 A1 = B1 A1 = B1 A1 = B1	H L L H L H L H	H L H L	L H L H	H H H H

Note:

1. H = HIGH Voltage Level, L = LOW Voltage Level, Blank = X = Don't Care

DC ELECTRICAL CHARACTERISTICS

V_{EE} = -4.2V to -5.5V unless otherwise specified; V_{CC} = V_{CCA} = GND

Symbol	Parameter	Min.	Typ.	Max.	Unit	Condition
I _{IH}	Input HIGH Current, All Inputs	—	—	200	μA	V _{IN} = V _{IH} (Max.)
I _{EE}	Power Supply Current	-120	-86	-60	mA	Inputs Open

AC ELECTRICAL CHARACTERISTICS

CERPACK

V_{EE} = -4.2V to -5.5V unless otherwise specified; V_{CC} = V_{CCA} = GND

Symbol	Parameter	T _A = 0°C		T _A = +25°C		T _A = +85°C		Unit	Condition
		Min.	Max.	Min.	Max.	Min.	Max.		
t _{PLH} t _{PHL}	Propagation Delay Data to Output	400	1600	400	1600	400	1600	ps	
t _{TLH} t _{THL}	Transition Time 20% to 80%, 80% to 20%	300	900	300	900	300	900	ps	

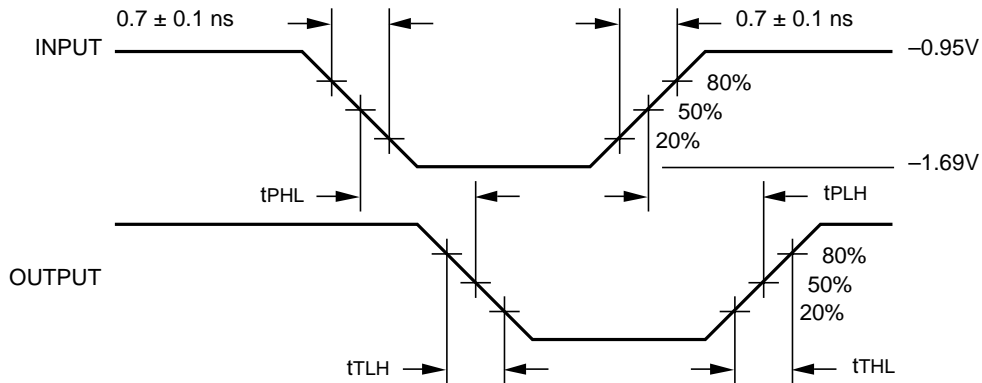
AC ELECTRICAL CHARACTERISTICS

PLCC

VEE = -4.2V to -5.5V unless otherwise specified; VCC = VCCA = GND

Symbol	Parameter	TA = 0°C		TA = +25°C		TA = +85°C		Unit	Condition
		Min.	Max.	Min.	Max.	Min.	Max.		
tPLH tPHL	Propagation Delay Data to Output	400	1500	400	1500	400	1500	ps	
tTLH tTHL	Transition Time 20% to 80%, 80% to 20%	300	900	300	900	300	900	ps	

TIMING DIAGRAM

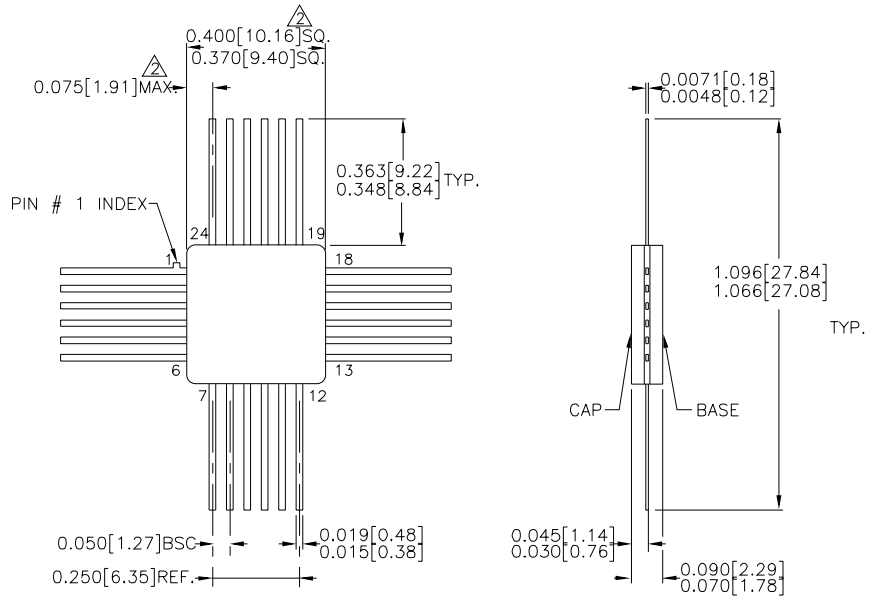


Propagation Delay and Transition Times

Note:

VEE = -4.2V to -5.5V unless otherwise specified; VCC = VCCA = GND

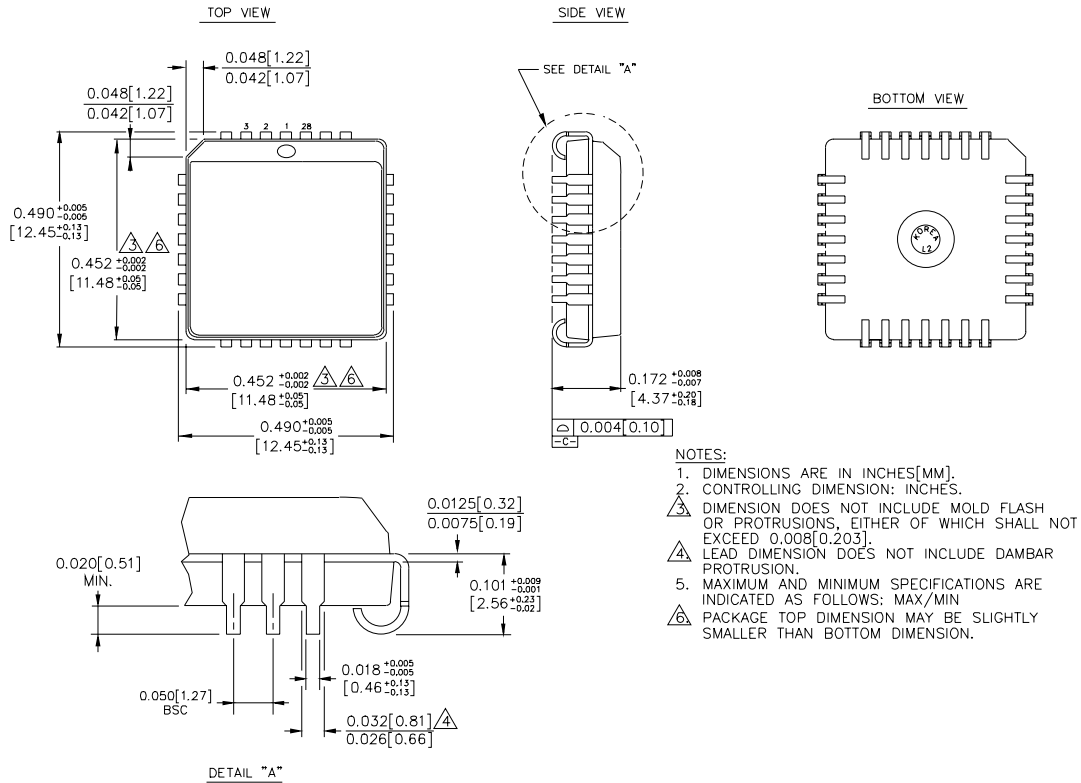
24-PIN CERPACK (F24-1)



- NOTES:
1. DIMENSIONS ARE IN INCHES[MM].
 2. THIS DIMENSION INCLUDES GLASS PROTRUSION AND CAP TO BASE ALIGNMENT TOLERANCES.
 3. DIMENSIONS SHOWN ARE MAX/MIN, WHERE NOTED.

Rev. 03

28-PIN PLCC (J28-1)



Rev. 03

MICREL, INC. 2180 FORTUNE DRIVE SAN JOSE, CA 95131 USA

TEL + 1 (408) 944-0800 FAX + 1 (408) 474-1000 WEB <http://www.micrel.com>

The information furnished by Micrel in this datasheet is believed to be accurate and reliable. However, no responsibility is assumed by Micrel for its use. Micrel reserves the right to change circuitry and specifications at any time without notification to the customer.

Micrel Products are not designed or authorized for use as components in life support appliances, devices or systems where malfunction of a product can reasonably be expected to result in personal injury. Life support devices or systems are devices or systems that (a) are intended for surgical implant into the body or (b) support or sustain life, and whose failure to perform can be reasonably expected to result in a significant injury to the user. A Purchaser's use or sale of Micrel Products for use in life support appliances, devices or systems is at Purchaser's own risk and Purchaser agrees to fully indemnify

Micrel for any damages resulting from such use or sale.

© 2006 Micrel, Incorporated.