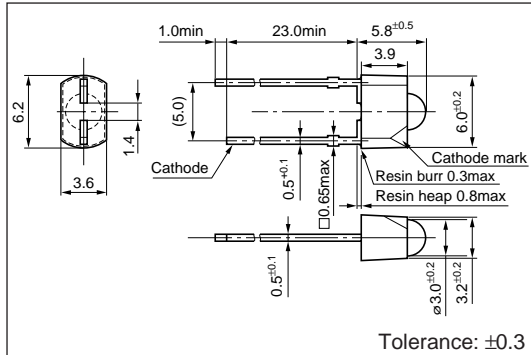


5-mm Pitch Lead 3 ϕ Lens-type LED (Direct Mount)

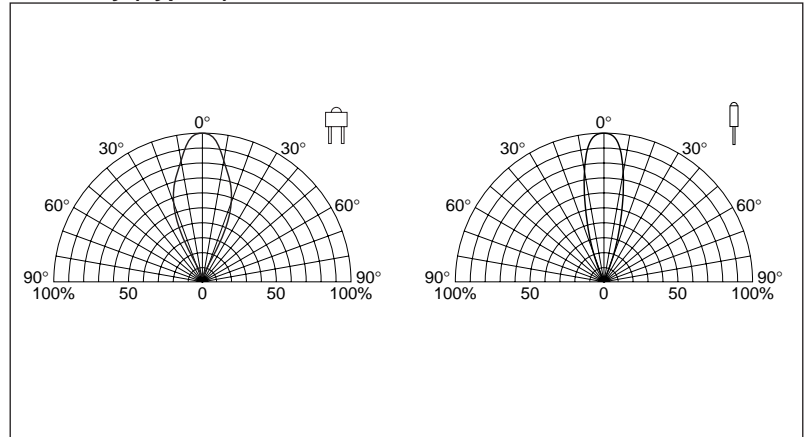
SEL5021 Series

External Dimensions

(Unit: mm)



Directivity (Typical)



Absolute maximum ratings (Ta=25°C)

Symbol	Unit	Rating	Condition
I_F	mA	30	
ΔI_F	mA/°C	-0.45	Above 25°C
I_{FP}	mA	100	f=1kHz, tw \leq 100 μ s
V_R	V	3	
Top	°C	-30 to +85	
Tstg	°C	-30 to +100	

Electrical Optical characteristics (Ta=25°C)

Emitting color	Part Number	Lens color	Forward voltage		Reverse current		Intensity		Peak wavelength		Spectrum half width		Chip material	
			V_F (V)		I_R (μ A)	V_R (V)	I_V (mcd)	I_F (mA)	λ_P (nm)	I_F (mA)	$\Delta\lambda$ (nm)	I_F (mA)		
			typ	max										Condition I_F (mA)
Red	SEL5221S	Transparent red	1.9	2.5	10	50	3	35	20	630	10	35	10	GaAsP
Amber	SEL5821A	Transparent orange	1.9	2.5	10	50	3	60	20	610	10	35	10	
Orange	SEL5921A	Transparent orange	1.9	2.5	10	50	3	60	20	587	10	33	10	
Yellow	SEL5721C	Clear	2.0	2.5	10	50	3	90	20	570	10	30	10	GaP
Green	SEL5421E	Transparent green	2.0	2.5	10	50	3	95	20	560	10	20	10	
Pure green	SEL5521C	Clear	2.0	2.5	10	50	3	35	20	555	10	20	10	