

Monitoring Relays

True RMS 3-Phase, Phase Sequence/Loss - Asymmetry

Types DPB02, PPB02



DPB02



PPB02

- TRMS 3-phase phase sequence, phase loss and asymmetry monitoring relays
- Detect when all 3 phases are present and have the correct sequence
- Detect if asymmetry level is below the set value
- Measure on own power supply
- Selection of measuring range by DIP-switches
- Adjustable asymmetry on relative scale
- Adjustable delay function (0.1 to 30 s)
- Output: 8 A relay SPDT N.E.
- For mounting on DIN-rail in accordance with DIN/EN 50 022 (DPB02) or plug-in module (PPB02)
- 22.5 mm Euronorm housing (DPB02) or 36 mm plug-in module (PPB02)
- LED indication for relay, alarm and power supply ON

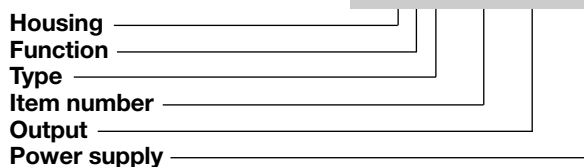
Product Description

3-phase or 3-phase+neutral line voltage monitoring relay for phase sequence, phase loss and asymmetry with built-in time delay function.

Supply ranges from 208 to 480 VAC covered by two multi voltage relays.

Ordering Key

DPB 02 C M23



Type Selection

Mounting	Output	Supply: 208 to 240 VAC	Supply: 380 to 415 VAC	Supply: 380 to 480 VAC
DIN-rail	SPDT	DPB 02 C M23		DPB 02 C M48
Plug-in	SPDT	PPB 02 C M23	PPB 02 C M48	

Input Specifications

Input L1, L2, L3, N	DPB02: Terminals L1, L2, L3, N PPB02: Terminals 5, 6, 7, 11 Measure on own supply
Note: Connect the neutral only if it is intrinsically at the star centre	
Measuring ranges 208 to 240 VAC 380 to 480 VAC (DPB02CM48) 380 to 415 VAC (PPB02CM48)	177 to 275 ΔVAC 323 to 550 ΔVAC 323 to 475 ΔVAC
Ranges Asymmetry	2 to 22% of the nominal voltage
Note: The input voltage must not exceed the maximum rated voltage or drop below the minimum rated voltage reported above.	

Output Specifications

Output Rated insulation voltage	SPDT relay 250 VAC
Contact ratings (AgSnO ₂) Resistive loads Small inductive loads	μ 8 A @ 250 VAC 5 A @ 24 VDC 2.5 A @ 250 VAC 2.5 A @ 24 VDC
Mechanical life	≥ 30 x 10 ⁶ operations
Electrical life	≥ 10 ⁵ operations (at 8 A, 250 V, cos φ = 1)
Operating frequency	≤ 7200 operations/h
Dielectric strength Dielectric voltage Rated impulse withstand volt.	2 kVAC (rms) 4 kV (1.2/50 μs)



Supply Specifications

Power supply Rated operational voltage through terminals: L1, L2, L3, N (DPB02) 5, 6, 7, 11 (PPB02) M23 - Delta Voltage:	Overvoltage cat. III (IEC 60664, IEC 60038) 208 to 240 VAC ± 15% 45 to 65 Hz
M48 (DIN-rail) - Delta Voltage:	380 to 480 VAC ± 15% 45 to 65 Hz
M48 (DIN-rail) - Star Voltage:	220 to 277 VAC ± 15% 45 to 65 Hz
M48 (Plug-in) - Delta Voltage:	380 to 415 VAC ± 15% 45 to 65 Hz
M48 (Plug-in) - Star Voltage:	220 to 240 VAC ± 15% 45 to 65 Hz
Rated operational power DPB02CM23, PPB02CM23 DPB02CM48, PPB02CM48	13 VA @ Δ230 VAC, 50 Hz 13 VA @ Δ400 VAC, 50 Hz Supplied by L1 and L2

General Specifications

Power ON delay	1 s ± 0.5 s or 6 s ± 0.5 s
Reaction time Incorrect phase sequence or total phase loss Asymmetry Alarm ON delay Alarm OFF delay	< 200 ms < 200 ms (delay < 0.1 s) < 200 ms (delay < 0.1 s)
Accuracy Temperature drift Delay ON alarm Repeatability	(15 min warm-up time) ± 1000 ppm/°C ± 10% on set value ± 50 ms ± 0.5% on full-scale
Indication for Power supply ON Alarm ON Output relay ON	LED, green LED, red (flashing 2 Hz during delay time) LED, yellow
Environment Degree of protection Pollution degree Operating temperature @ Max. voltage, 50 Hz @ Max. voltage, 60 Hz Storage temperature	IP 20 3 (DPB02), 2 (PPB02) -20 to 60°C, R.H. < 95% -20 to 50°C, R.H. < 95% -30 to 80°C, R.H. < 95%
Housing Dimensions DPB02 PPB02	22.5 x 80 x 99.5 mm 36 x 80 x 94 mm
Weight	Approx. 120 g
Screw terminals Tightening torque	Max. 0.5 Nm acc. to IEC 60947
Approvals	UL, CSA
CE marking	Yes
EMC Immunity Emissions	Electromagnetic Compatibility According to EN 61000-6-2 According to EN 61000-6-3

Mode of Operation

Connected with the 3 phases (and neutral) DPB02 and PPB02 operate when all 3 phases are present at the same time, the phase sequence is correct and the asymmetry is under the set level. Asymmetry is defined as follows:

$$\frac{\max\{|\Delta V_{ph-ph}|\}}{\text{nom. voltage}}$$

when measuring phase-phase voltages and also as follows:

$$\frac{\max\{|\Delta V_{ph-n}|\}}{\text{nom. voltage}}$$

when measuring phase-neutral voltages.

If the asymmetry exceeds the set level the red LED starts flashing 2 Hz and the output relay releases after the set time period. If the phase sequence is incorrect or one phase is lost, the output relay releases immediately. Only 200 ms delay occurs. The failure is indicated by the

red LED flashing 5 Hz after the alarm condition occurs.

Example 1
(mains network monitoring)

The relay monitors asymmetry, phase loss and correct phase sequence.

Example 2
(load monitoring)

The relay releases in case of interruption of one or more phases or when the asymmetry exceeds the set level.

Function/Range/Level and Time Delay Setting

Adjust the input range setting the DIP switches 3 and 4 as shown below.

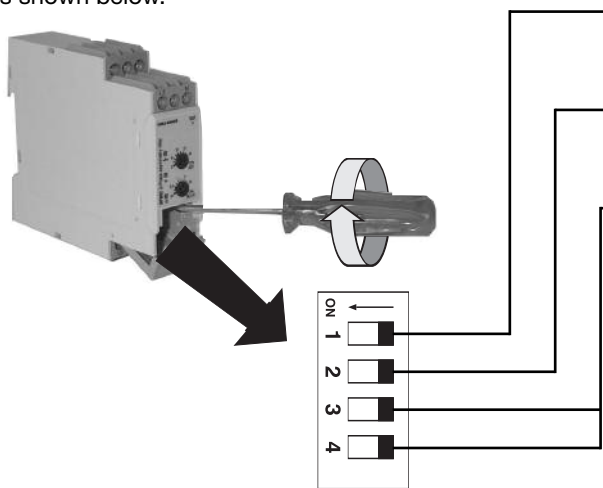
To access the DIP switches open the grey plastic cover as shown below

Selection of asymmetry and time delay:

Lower knob: Setting of delay on alarm time on absolute scale (0.1 to 30 s).

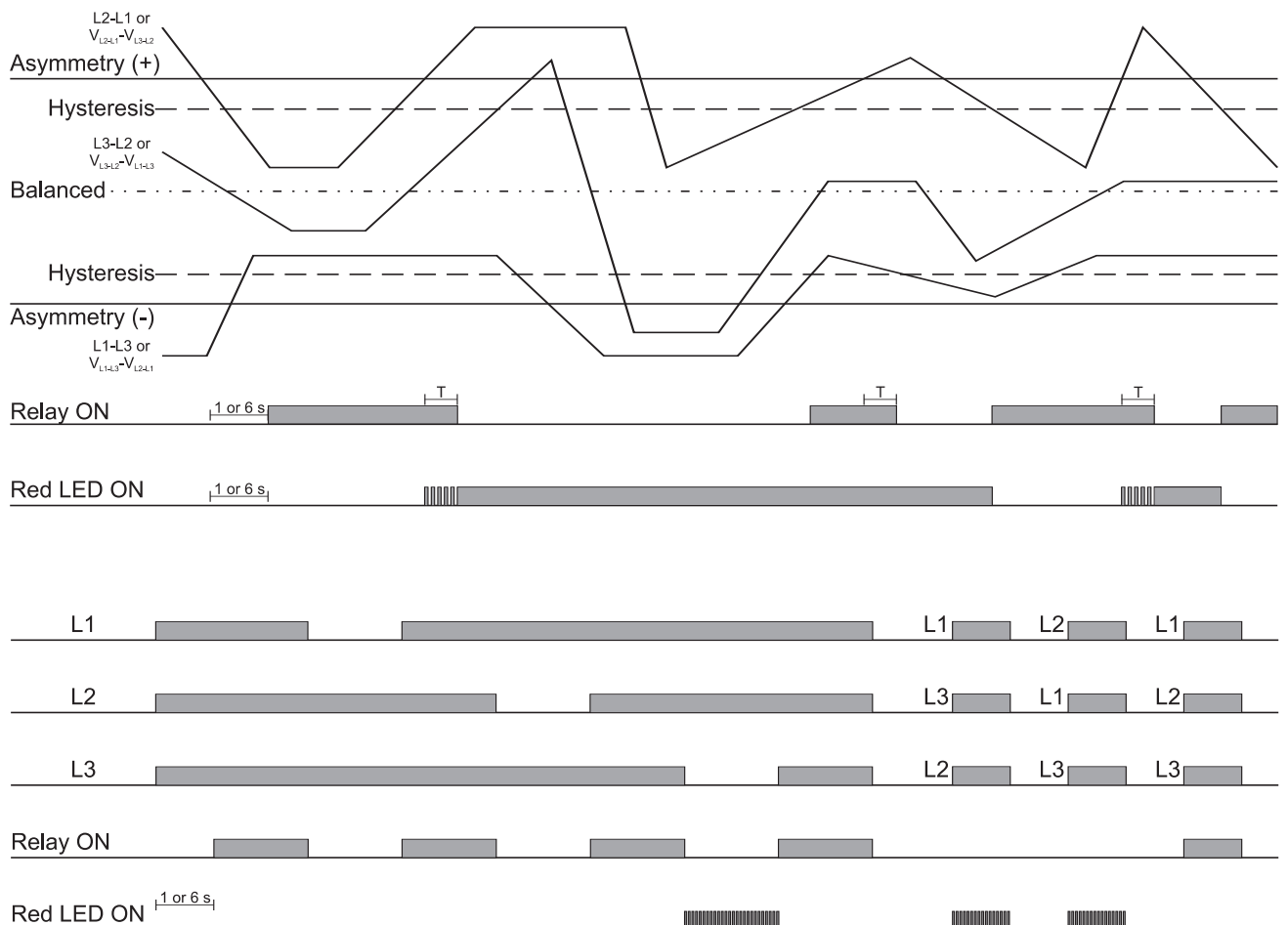
Select the desired function setting the DIP switches 1 and 2 as shown below.

Centre knob: Setting of asymmetry on relative scale.

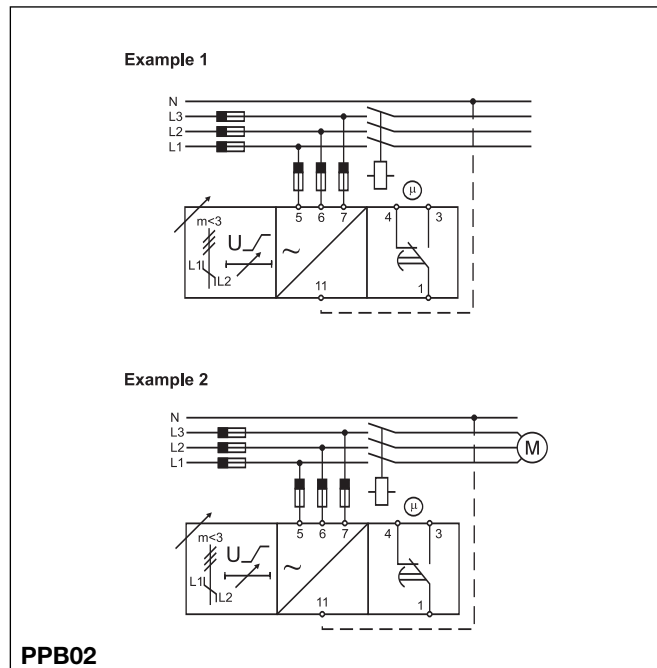
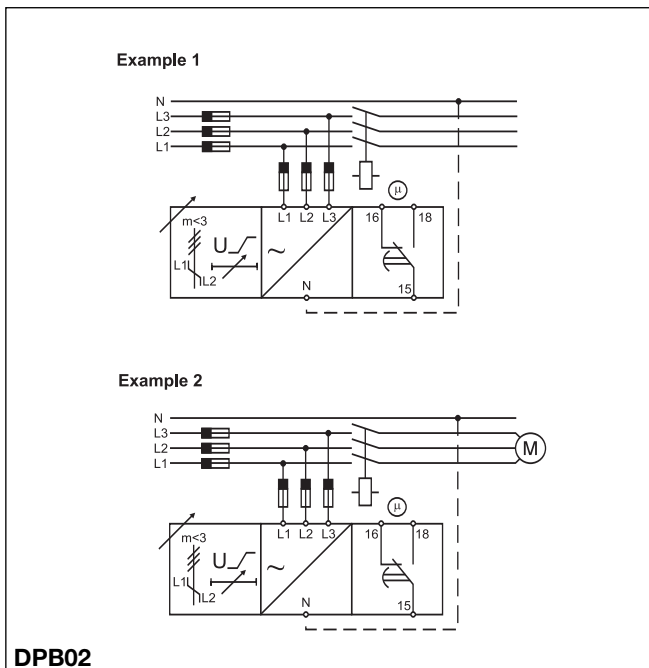


Power ON delay				
ON: 6 s ± 0.5 s				
OFF: 1 s ± 0.5 s				
Monitored voltage				
ON: Phase-Neutral				
OFF: Phase-Phase				
Measuring range				
SW3	ON	ON	OFF	OFF
SW4	ON	OFF	ON	OFF
M23 Ph-Ph Voltage	208 VAC	220 VAC	230 VAC	240 VAC
M48 Ph-Ph Voltage	380 VAC	400 VAC	415 VAC	480 VAC DPB02 only
M48 Ph-N Voltage	220 VAC	230 VAC	240 VAC	277 VAC DPB02 only

Operation Diagrams



Wiring Diagrams



Dimensions

