

## FEATURES

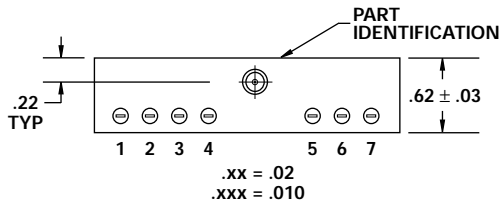
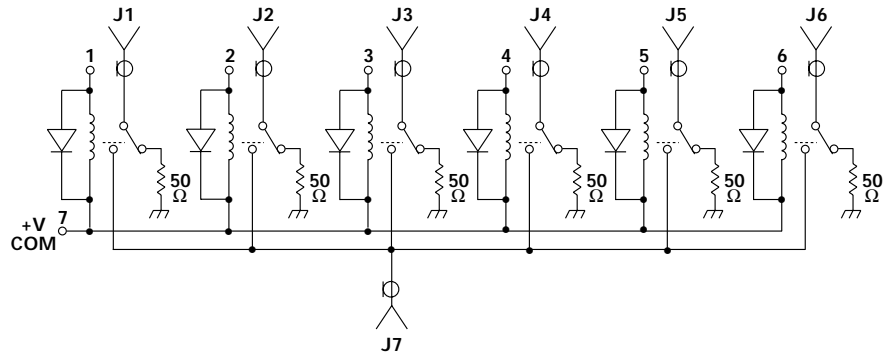
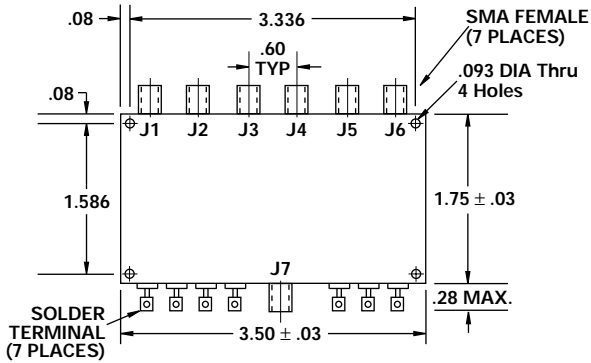
- DC - 450 MHz
- 20 Watts CW
- Non-Reflective
- SMA Connectors



MODEL NO.  
100C0615

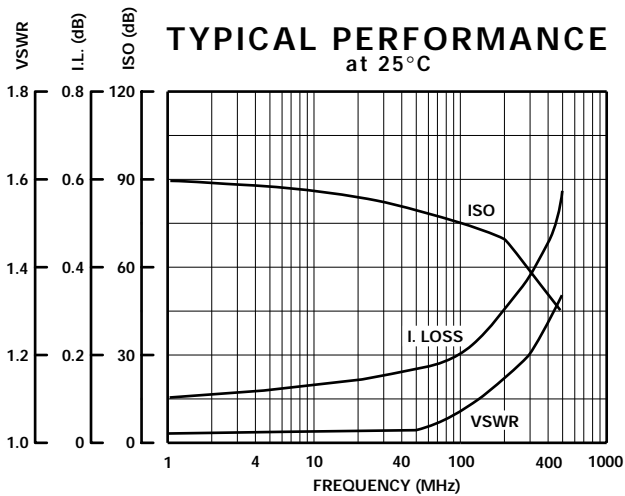
SP6T RELAY

SP6T



## GUARANTEED PERFORMANCE

Parameter	Min	Typ	Max	Units	Conditions
Operating Frequency	DC		450	MHz	
DC Voltage					See Table
Insertion Loss		0.45	0.65	dB	DC - 250 MHz
		0.6	1.0	dB	250 - 450 MHz
Isolation	50	67		dB	DC - 250 MHz
	45	48		dB	250 - 450 MHz
VSWR	Thru	1.1/1	1.2/1		DC - 250 MHz
		1.3/1	1.4/1		250 - 450 MHz
Impedance		50		OHMS	
Switching Speed			5	mSEC	
RF Power	Operate		20	W	CW (Thru)
Operating Temperature	-55	+25	+85	°C	TA



Voltage	Current - Typical
6	65 mA per throw
12	32 mA per throw
18	21 mA per throw
26	17 mA per throw

PART NO. EXAMPLE - SEE TABLE  
**100C0615 - 26**  
 Basic Part Number      Dash No. same as coil voltage

This datasheet has been download from:

[www.datasheetcatalog.com](http://www.datasheetcatalog.com)

Datasheets for electronics components.