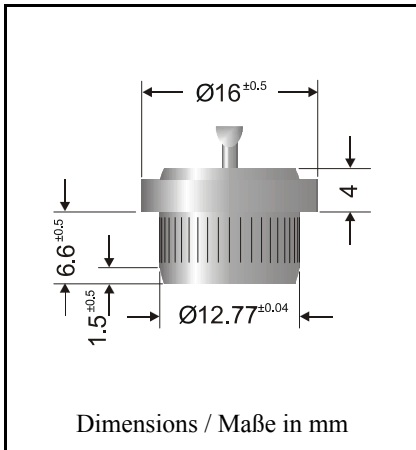


Silicon Press-Fit-Diodes

Silizium-Einpreßdioden



Nominal current – Nennstrom 25 A

Repetitive peak reverse voltage 50...600 V
Periodische Spitzensperrspannung

Metal press-fit case with glass seal
Metall-Einpreßgehäuse mit Glasdurchführung

Weight approx. – Gewicht ca. 10 g

Standard packaging: bulk
Standard Lieferform: lose im Karton

Maximum ratings

Grenzwerte

| Type / Typ | Wire to / Draht an | Repetitive peak reverse voltage Periodische Spitzensperrspannung | Surge peak reverse voltage Stoßspitzensperrspannung |
|------------|--------------------|---|--|
| Anode | Cathode | V_{RRM} [V] | V_{RSM} [V] |
| KYZ 25A05 | KYZ 25K05 | 50 | 60 |
| KYZ 25A1 | KYZ 25K1 | 100 | 120 |
| KYZ 25A2 | KYZ 25K2 | 200 | 240 |
| KYZ 25A3 | KYZ 25K3 | 300 | 360 |
| KYZ 25A4 | KYZ 25K4 | 400 | 480 |
| KYZ 25A6 | KYZ 25K6 | 600 | 700 |

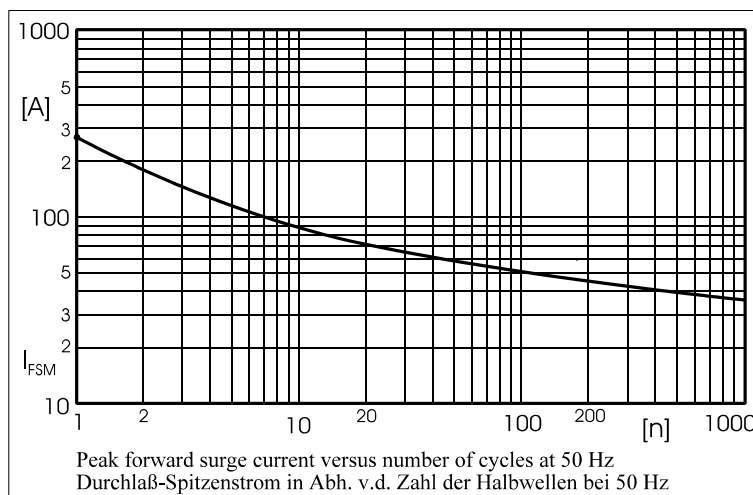
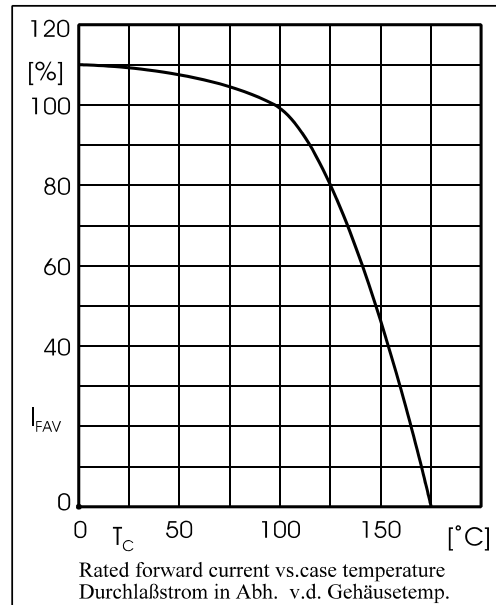
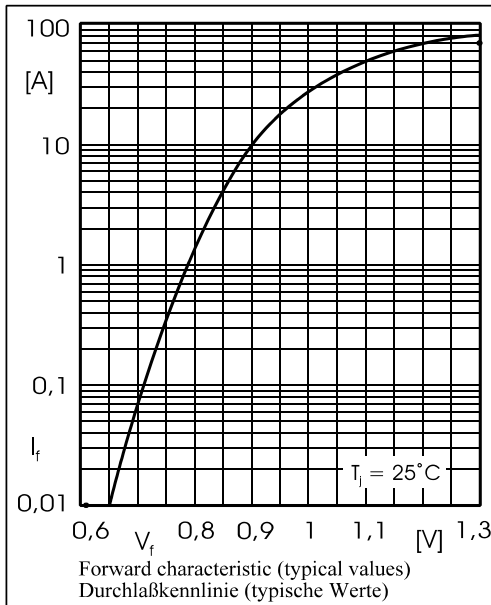
| | | | |
|---|---------------------------|----------------|----------------------------------|
| Max. average forward rectified current, R-load Dauergrenzstrom in Einwegschaltung mit R-Last | $T_C = 100^\circ\text{C}$ | I_{FAV} | 25 A |
| Repetitive peak forward current Periodischer Spitzenstrom | $f > 15\text{ Hz}$ | I_{FRM} | 80 A ¹⁾ |
| Peak forward surge current, 50 / 60 Hz half sine-wave Stoßstrom für eine 50 / 60 Hz Sinus-Halbwellen | $T_A = 25^\circ\text{C}$ | I_{FSM} | 270 / 300 A |
| Rating for fusing – Grenzlastintegral, $t < 10\text{ ms}$ | $T_A = 25^\circ\text{C}$ | i^2t | 375 A ² s |
| Operating junction temperature – Sperrschichttemperatur Storage temperature – Lagerungstemperatur | | T_j T_s | – 50...+175 °C – 50...+175 °C |
| Maximum pressure – Maximaler Einpreßdruck | | | 7 kN |

¹⁾ Max. case temperature $T_C = 150^\circ\text{C}$ – Max. Gehäusetemperatur $T_C = 150$

Characteristics

Kennwerte

| | | | | |
|---|--------------------------|---------------------|-----------|---------------------|
| Forward voltage – Durchlaßspannung | $T_j = 25^\circ\text{C}$ | $I_F = 25\text{ A}$ | V_F | < 1.1 V |
| Leakage current – Sperrstrom | $T_j = 25^\circ\text{C}$ | $V_R = V_{RRM}$ | I_R | < 100 μA |
| Thermal resistance junction to case Wärmewiderstand Sperrschicht – Gehäuse | | | R_{thC} | < 1 K/W |



| Replacements / Ersatztypen | | | |
|----------------------------|-----------|-----------|------------|
| New - Neu | Old - Alt | New - Neu | Old - Alt |
| KYZ 25K05 | KYZ70 Pin | KYZ 25A05 | KYZ 75 Pin |
| KYZ 25K1 | KYZ71 Pin | KYZ 25A1 | KYZ 76 Pin |
| KYZ 25K2 | KYZ72 Pin | KYZ 25A2 | KYZ 77 Pin |
| KYZ 25K3 | KYZ73 Pin | KYZ 25A3 | KYZ 78 Pin |
| KYZ 25K4 | KYZ74 Pin | KYZ 25A4 | KYZ 79 Pin |