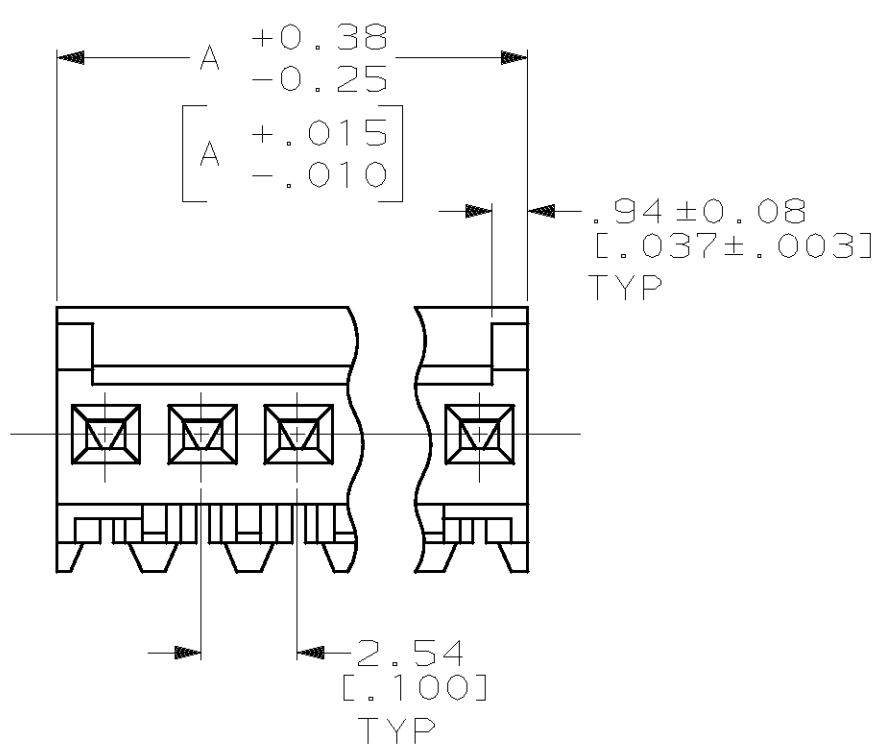
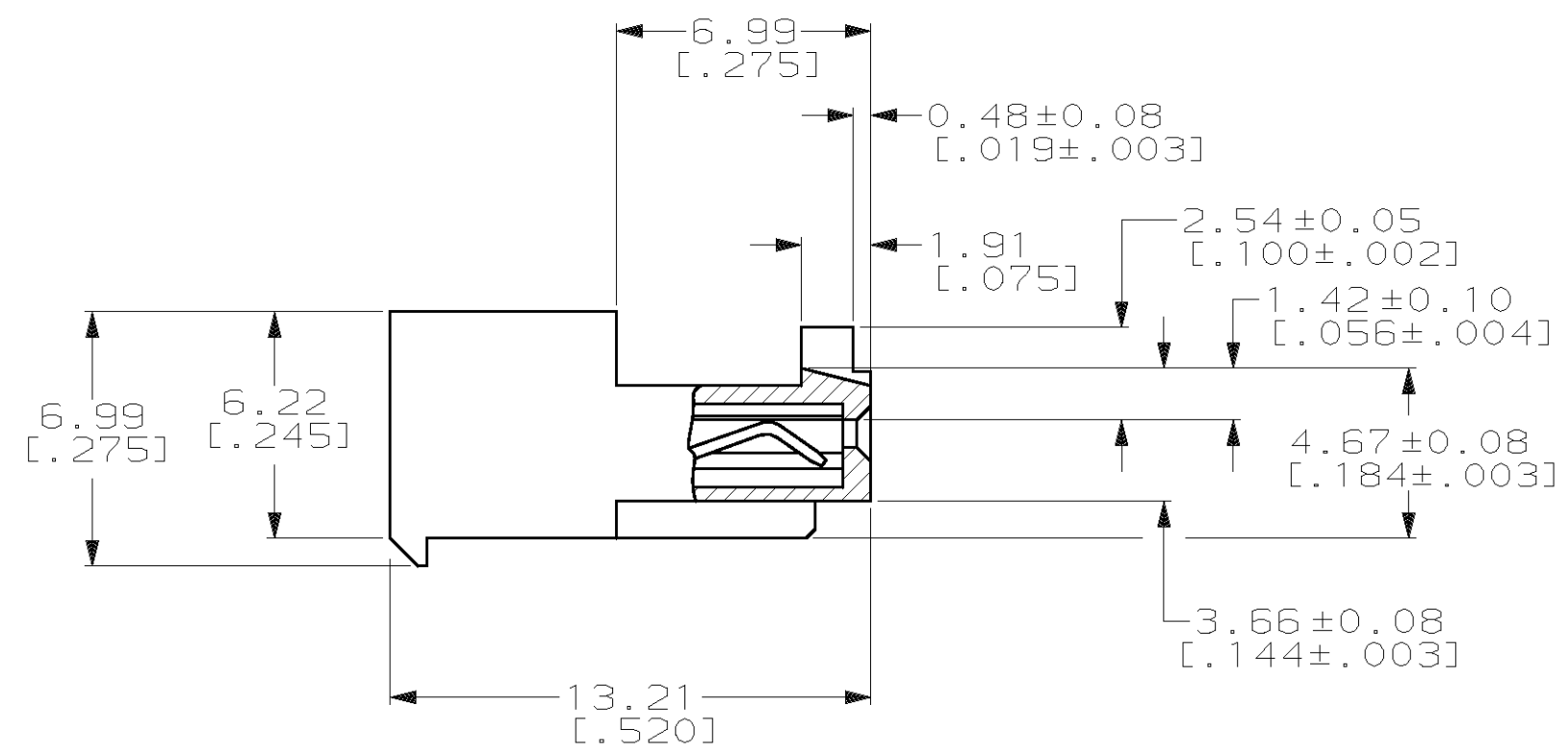
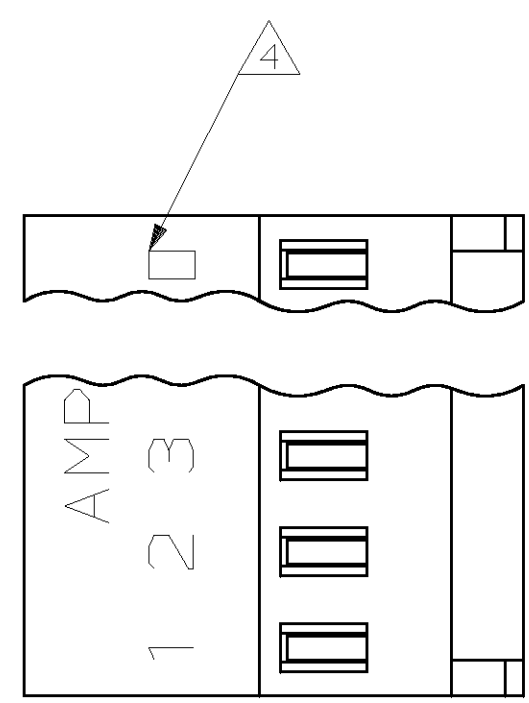


THIS DRAWING IS UNPUBLISHED. RELEASED FOR PUBLICATION  
 © COPYRIGHT 19 BY AMP INCORPORATED. ALL INTERNATIONAL RIGHTS RESERVED.

LOC		DIST		REVISIONS			
ZONE	LTR	DESCRIPTION	DATE	APPD			
CM	54			J	REACT -15 THRU -28 PER EC 061B-0173-98	9-18-98	JH RS



DIM A	NO OF CIRCUITS	PART NO
71.12 [2.800]	28	2-643816-8
68.58 [2.700]	27	2-643816-7
66.04 [2.600]	26	2-643816-6
63.50 [2.500]	25	2-643816-5
60.96 [2.400]	24	2-643816-4
58.42 [2.300]	23	2-643816-3
55.88 [2.200]	22	2-643816-2
53.34 [2.100]	21	2-643816-1
50.80 [2.000]	20	2-643816-0
48.26 [1.900]	19	1-643816-9
45.72 [1.800]	18	1-643816-8
43.18 [1.700]	17	1-643816-7
40.64 [1.600]	16	1-643816-6
38.10 [1.500]	15	1-643816-5
35.56 [1.400]	14	1-643816-4
33.02 [1.300]	13	1-643816-3
30.48 [1.200]	12	1-643816-2
27.94 [1.100]	11	1-643816-1
25.40 [1.000]	10	1-643816-0
22.86 [.900]	9	643816-9
20.32 [.800]	8	643816-8
17.78 [.700]	7	643816-7
15.24 [.600]	6	643816-6
12.70 [.500]	5	643816-5
10.16 [.400]	4	643816-4
7.62 [.300]	3	643816-3
5.08 [.200]	2	643816-2

- 1 MATERIAL: CONNECTOR - NYLON UL94V-2 (GREEN).  
CONTACTS - 0.30[.012] THICK COPPER ALLOY  
(BRIGHT-TIN 0.00203  
[.000080] MIN THK)
2. CONTACTS ACCEPT 28 AWG WIRE WITH 1.52[.060] MAX INSULATION DIAMETER.
3. CONTACTS MUST ACCEPT 0.64±0.03[.025] POST AND REMAIN LOCKED IN POSITION.
- 4 IDENTIFICATION NUMBER FOR LAST CIRCUIT MAY NOT APPEAR ON ALL ASSEMBLIES.
5. DIMENSIONS IN BRACKETS ARE IN INCHES.
6. HOUSING FEATURES ARE: CLOSED END WITH LOCKING RAMP AND WITH POLARIZING TAB.

DO NOT SCALE PRINT. UNLESS SPECIFIED DIMENSIONS IN mm [INCHES] TOLERANCES ON: 2 PLC DEC ± - 3 PLC DEC ± 0.13 [0.005] ANGLES ± - MATERIAL	DR B. LEWIS 4-22-91	AMP Incorporated Harrisburg, PA 17105-3608
	CHK R. SWING 4-22-91	
FINISH	APPD G. MILLER 4-22-91	NAME MTA 100 CONNECTOR ASSEMBLY, 28 AWG, STANDARD
	APPD G. MILLER 4-22-91	SIZE C 00779
	PRODUCT SPEC 108-1050	CAGE CODE 00779
	APPLICATION SPEC 114-1019	DRAWING NO 643816
	WEIGHT -	SCALE 5:1
		SHEET 1 OF 1

**METRIC**

A/C BUSINESS GROUP - 3323 177-34 'NICK GANNON'

www.DataSheet4U.com