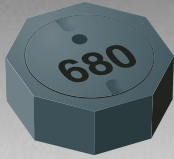


*RoHS COMPLIANT



BOURNS®

Features

- Available in E6 series
- Unit height of 2.8 mm
- Current up to 3.5 A
- Lead free
- RoHS compliant*

Applications

- Input/output of DC/DC converters
- Power supplies for:
 - Portable communication equipment
 - Camcorders
 - LCD TVs
 - Car radios

SRU5028 Series - Shielded SMD Power Inductors

Electrical Specifications

Bourns Part No.	Inductance 100 KHz		Q Ref.	Test Frequency (MHz)	SRF Min. (MHz)	RDC (mΩ)	I rms Max. (A)	I sat Typ. (A)
	(μH)	Tol. %						
SRU5028-1R2Y	1.2	± 30	10	7.96	200	16.8	3.50	3.40
SRU5028-2R2Y	2.2	± 30	10	7.96	130	21.0	3.20	2.50
SRU5028-3R3Y	3.3	± 30	10	7.96	90	24.0	2.80	2.10
SRU5028-4R7Y	4.7	± 30	9	7.96	50	32.0	2.20	1.85
SRU5028-6R8Y	6.8	± 30	10	7.96	55	42.0	2.00	1.55
SRU5028-100Y	10.0	± 30	18	2.52	25	63.0	1.80	1.40
SRU5028-150Y	15.0	± 30	18	2.52	23	108.0	1.10	1.00
SRU5028-220Y	22.0	± 30	15	2.52	18	162.0	0.95	0.85
SRU5028-330Y	33.0	± 30	15	2.52	16	203.0	0.80	0.68
SRU5028-470Y	47.0	± 30	13	2.52	13	285.0	0.70	0.62
SRU5028-680Y	68.0	± 30	13	2.52	10	450.0	0.56	0.46
SRU5028-101Y	100.0	± 30	15	0.796	8	625.0	0.47	0.42

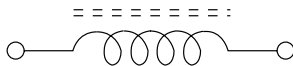
General Specifications

Test Voltage.....0.1 V
 Reflow Soldering ...230 °C, 50 sec. max.
 Operating Temperature .-40 °C to +125 °C
 (Temperature rise included)
 Storage Temperature...-40 °C to +125 °C
 Resistance to Soldering Heat
260 °C for 10 sec.

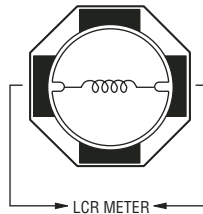
Materials

Core.....Ferrite DR and RI core
 WireEnameled copper
 BaseLCP E4008
 TerminalAg/Ni/Sn
 Rated Current
Ind. drop 35 % typ. at Isat
 Temperature Rise
40 °C max. at rated Irms
 Packaging.....600 pcs. per reel

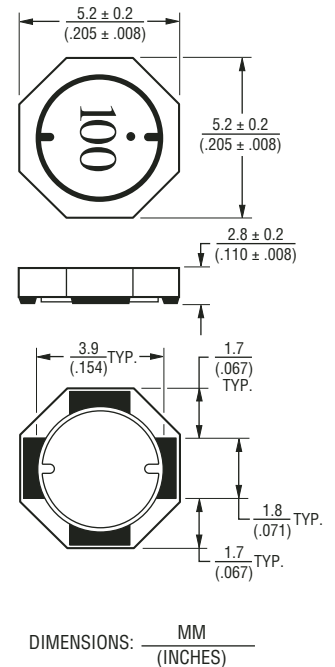
Electrical Schematic



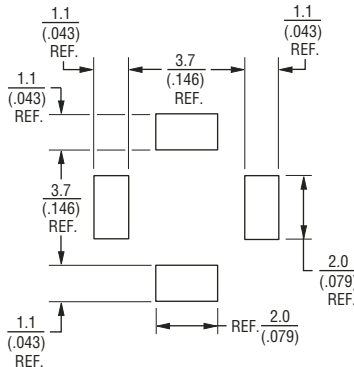
Inductor Connection



Product Dimensions



Recommended Layout

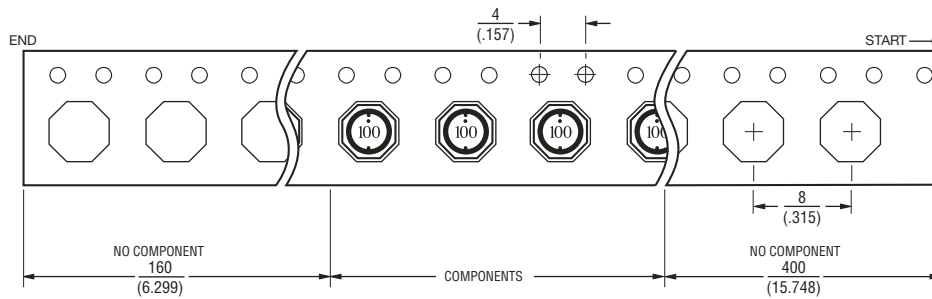
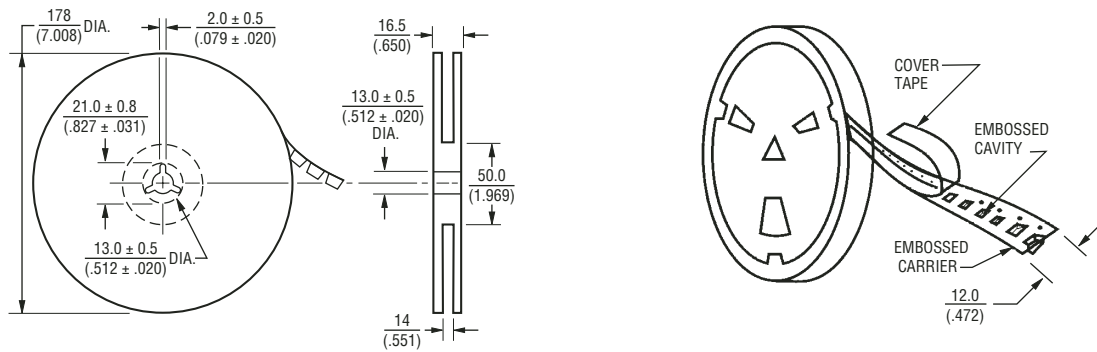


*RoHS Directive 2002/95/EC Jan 27 2003 including Annex
 Specifications are subject to change without notice.
 Customers should verify actual device performance in their specific applications.

SRU5028 Series - Shielded SMD Power Inductors

BOURNS®

Packaging Specifications



USER DIRECTION OF FEED →

QTY: 600 PCS. PER REEL

DIMENSIONS: $\frac{\text{MM}}{\text{(INCHES)}}$

REV. 05/05

Specifications are subject to change without notice.
Customers should verify actual device performance in their specific applications.