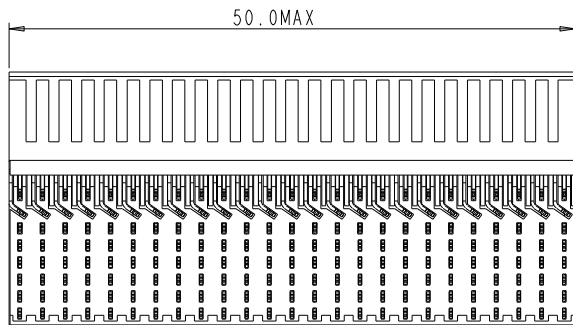
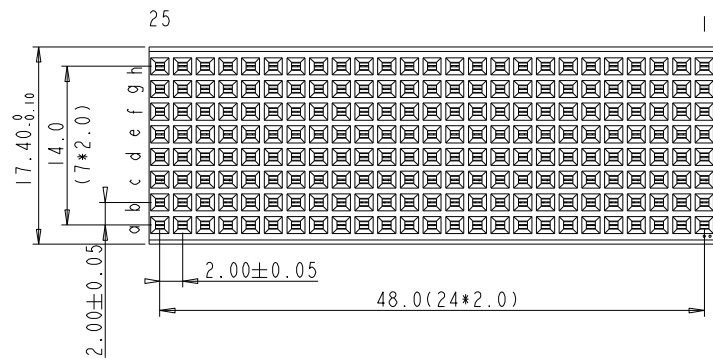


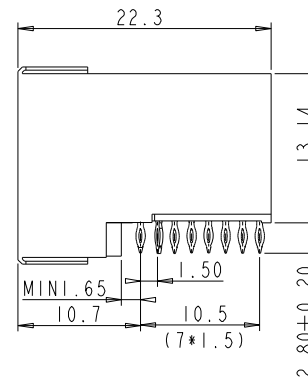
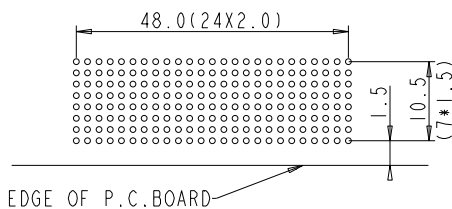
Tous droits strictement réservés. Reproduction ou communication à des tiers interdite sous quelque forme que ce soit sans autorisation écrite du propriétaire. Propriété de C.FCI. Droits de reproduction FCI.

FCI

All rights strictly reserved. Reproduction or issue to third parties in any form whatever is not permitted without written authority from the proprietor. Property of C.FCI. Copyright FCI.



LAY-OUT
P.C.B. -HOLE



PERFORMANCE CHARACTERISTICS

CURRENT RATING 1.5A AT 20°C (FULLY LOADED)
1 A AT 70°C (FULLY LOADED)

RATED VOLTAGE : 500 V AC (CONT /CONT)

OPERATING TEMPERATURE : -55°C TO 125°C

CONTACT RESISTANCE 20 MΩ MAX

INSERTION FORCE : 0.75N MAX/CONT

EXTRACTION FORCE : 0.15N MIN/CONT

INSULATION RESISTANCE : 10⁴ MΩ MIN

NOTES

1. " " LEAD FREE INDICATOR :LF=LEAD FREE
" " PERFORMANCE LEVEL INDICATOR (REF DWG NO.BSC .201844.003)
2. THIS PRODUCT IS CSA APPROVED.
THIS PRODUCT IS UL RECOGNIZED.
3. FOR RECOMMENDED PTH DIMENSIONS REFER DRAWING :BS.A.201572.001
4. THIS PRODUCT (LF) MEETS EUROPEAN UNION DIRECTIVES AND OTHER COUNTRY REGULATIONS AS DESCRIBED IN GS-22-008

rev	ecn no	dr	date
A	CONVERSION	KN	14-09-01
B	DG05-0352	KASON	23-09-05
-	-	-	-
-	-	-	-
-	-	-	-
04	BEC9_3563 +BEC9_3525	R.M	22/05/01

Material		Spec ref	
Mat code		✓	tolerance 1DEC ±0.2 1DEC 2DEC ±0.1 2DEC ANGLES ±1°/HOEKEN
Heatreat			
Plating/Finish		MM	
Dr	W.Panis	29-04-96	size A4
Eng	Product family MILLIPACS		Scale 1.500
Chr	Model Name		ECN
Appr	Model Revision		REL Level
FCI		title	Rev.
Pro/E file		MILLIPACS 8+2R RA RCP CONN TYPE E NO SHIELDING	B
catalog		HM288PA8100	dwg no BSC202258002
PDM: Rev.B		CUSTOMER DRAWING	sheet 1 of 1