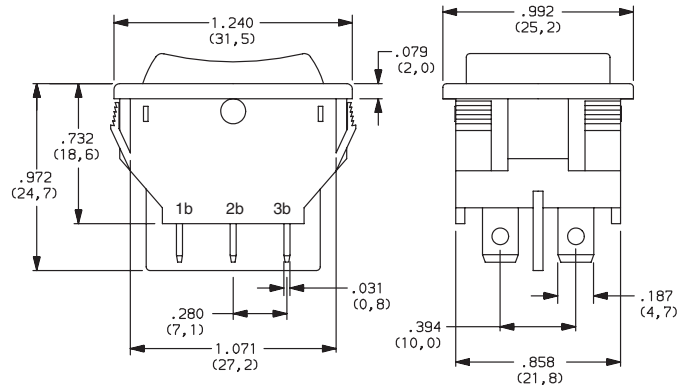


C&K CN Series Double Pole Power Rocker Switches

SWITCH FUNCTION

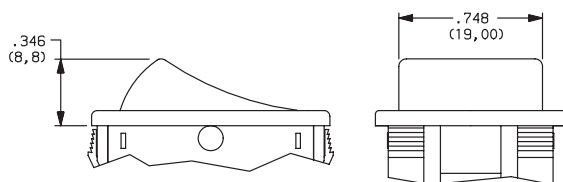
NO. POLES	MODEL NO.	SWITCH FUNCTION			CONNECTED TERMINALS			SCHEMATIC
DP	CN201	ON	NONE	ON	2-3	N/A	2-1	
	CN202	ON	NONE	OFF				
	CN22 *	ON	NONE	OFF				 For Illuminated Version

* CN22 - for switches with both marking and illumination



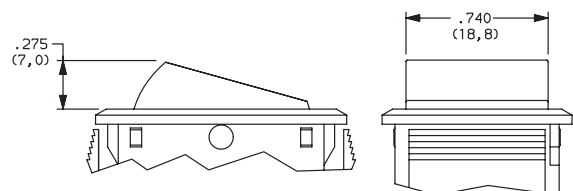
ACTUATOR

- J1** ROCKER
- J3** ILLUMINATED ROCKER



NOTE: J1 & J3 actuators available with Q contact rating only.
J3 actuator available with CN202 switch function only.

- J6** ROCKER
- J8** ILLUMINATED ROCKER



NOTE: J6 & J8 actuators available with QA contact rating only.
J6 actuator available with CN201 & CN202 switch functions,
J8 actuator available with CN202 switch function only.

C&K CN Series Double Pole Power Rocker Switches

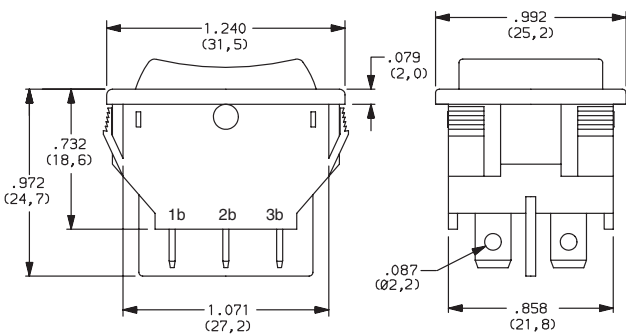
ACTUATOR COLOR

OPTION CODE	ACTUATOR COLOR
2	(STD.) BLACK
1	WHITE
3	RED
R	RED, ILLUMINATED
A	AMBER, ILLUMINATED
G	GREEN, ILLUMINATED

MOUNTING STYLE/COLOR

S2 (STD.) SNAP-IN, BLACK

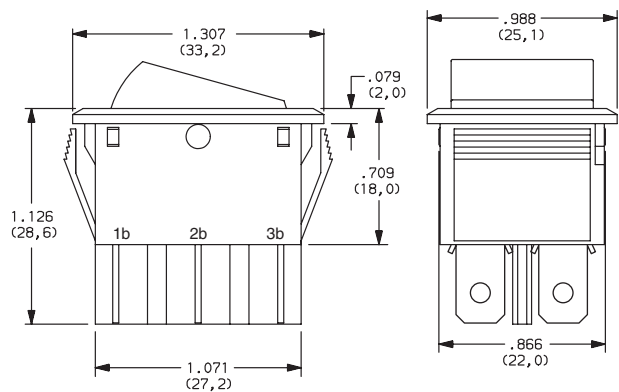
S1 SNAP-IN, WHITE



NOTE: Available with 15 termination and Q contact rating only.

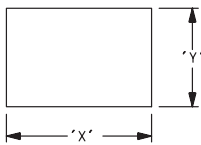
S4 (STD.) SNAP-IN, BLACK

S3 SNAP-IN, WHITE



NOTE: Available with 05 termination and QA contact rating only.

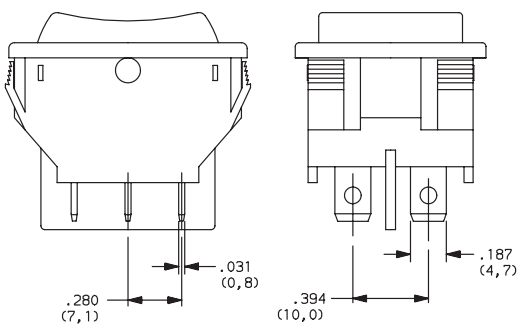
PANEL MOUNTING



PANEL THICKNESS	"X"	"Y"
0.030-0.049 (0.75-1.25)	1.190-.004 (30.2-0.1)	0.874+.004 (22.2+0.1)
0.049-0.079 (1.25-2.0)	1.197-.004 (30.4-0.1)	0.874+.004 (22.2+0.1)
0.079-0.118 (2.0-3.0)	1.213-.004 (30.8-0.1)	0.874+.004 (22.2+0.1)

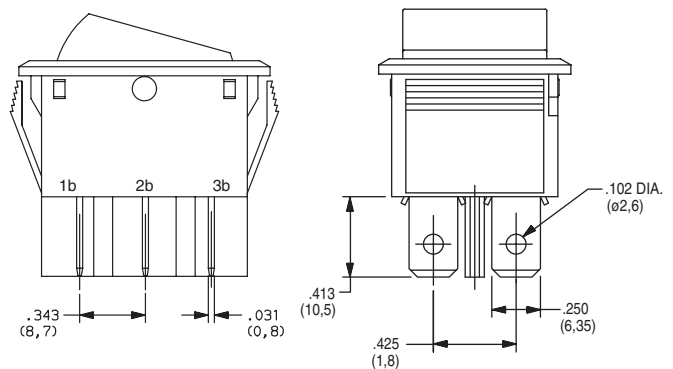
TERMINATION

15 (STD.) .187" QUICK CONNECT



NOTE: Available with S1 & S1 mounting style and Q contact rating only.

05 .250" QUICK CONNECT

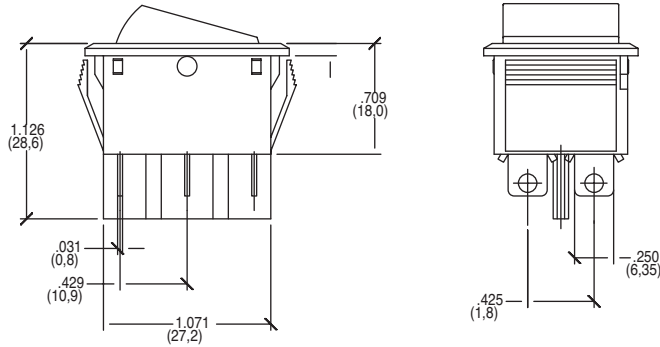


NOTE: Available with S3 & S4 mounting styles and QA contact rating, CN201 & CN202 switch functions only.

C&K CN Series Double Pole Power Rocker Switches

TERMINATION

07 SOLDER LUG



ACTUATOR MARKING

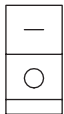
NONE (STD.) NO MARKING



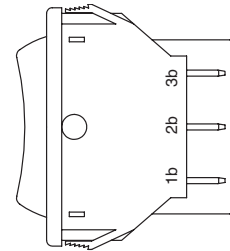
D ON-OFF



H O I



P O -



NOTE: Orientation of actuator marking and terminals.

CONTACT MATERIAL

OPTION CODE	CONTACT AND TERMINAL MATERIAL	RATINGS
Q (STD.)	SILVER	16 AMPS @ 125 VAC; 10 AMPS @ 250 VAC (UL/CSA)
QA*		16 AMPS @ 125 VAC, 1/8 HP @ 125 VAC; 10 AMPS @ 250 VAC, 1/3 HP @ 250 VAC (UL/CSA)

* Not available with CN203, CN205 & CN207 switch functions.

LAMP RATING

(NONE) NO LAMP

7 125 VAC 33kΩ NEON

8 250 VAC 150kΩ NEON

NOTE: Lamp rating for J3 & J8 actuator options.