

Hercules Encoders

Series 2000

Medium Duty Incremental Rotary Shaft Encoder

- Enclosure: Standard Series - Industry Standard 2.25" Cube NEMA 12/13 or NEMA 4 type Sealing
- Flush or Flanged Base Styles
- Anti-Jitter Circuitry, Shatterproof Metal Code Discs - up to 600 PPR Quadrature
- Internally and Externally Shielded ABEC 5 Stainless Steel Bearings, Mounted Internally
- Low Supply Current Requirement - 30 milliamps typical per encoder, maximum of 50 mA
- Operating Voltage Flexibility - 8 to 28 Vdc or 5 Vdc TTL Output, 5V or 8 - 15V with line driver
- Operating Temperature Rating designed for extremes, from -20° to +70° C (-4° to +158° F)

18



H
e
r
c
u
l
e
s

Specifications

Mechanical

Shaft Speed	6000 RPM maximum
Shaft Direction	Bidirectional
Standard Shaft Sizes (Dia.)	.2497", .3747"
Shaft Extension(s)	0.80" with .50x.05" flat
Shaft Seals	Neoprene or PTFE Options
Mounting	Refer to dimensional drawings
Bearings	ABEC 5 Shielded
Radial Loading	30 lbs. Operating
Axial Loading	15 lbs. Operating
Accuracy	±0.1° of Shaft Rotation Typical
Housing	Black Anodized Aluminum
Weight	Standard: 14 oz., Sealed: 19 oz.
Connector	6 Pin MS3102 or 18" Cable Out

Electrical

Pulse Rate	10 kHz, up to 200 kHz
Outputs	NPN w/ pullup; NPN open collector; PNP sourcing Line Drivers (5Vdc/TTL level, 8 to 15 Vdc) All line drivers have complementary outputs.
Output Ratings	
Open Collector Transistor	40 Vdc maximum
Line Drivers 8-15 Vdc	15 Vdc maximum
5 Vdc TTL	5.5 Vdc maximum
Supply Voltage	8 to 28 Vdc 5 Vdc with 5V TTL level output
Supply Current	30 mA typical, 50 mA maximum
Current Sinking	250 mA maximum
Output Duty Cycle	50/50 w/ ±20% typical tolerance Tighter to ±5% by spec
Pulsed Outputs	5-10 µsec or 25-35 µsec
Rise/Fall Times	1 µsec typical, other options available
	See Wiring Diagrams for Pin Outs

Environmental

Operating Temp.	-20° to +70° C (-4° to +158° F)
Shock	50 g's for 11 Milliseconds
Vibration	5 to 2000 Hertz at 20 g's
Humidity	100% Relative Humidity
Enclosures (Sealed)	NEMA 4 type — Water-tight
(Std)	NEMA 12/13 equiv. — Dust-, Oil-Tight

Electrical Connections

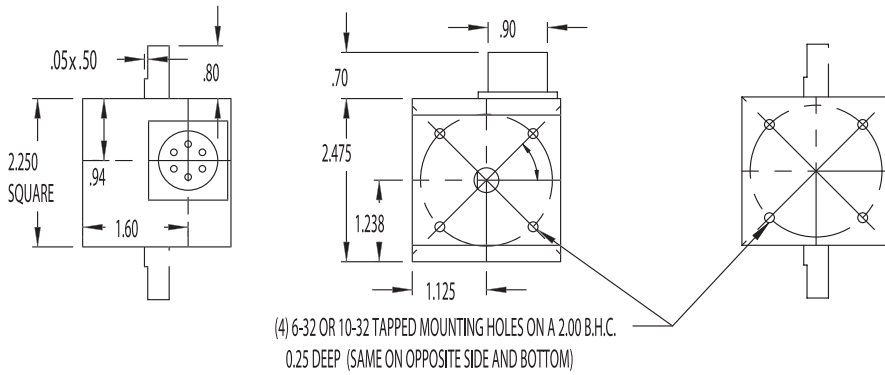
Function	6 Pin	Cable Out	Color
+V	B	D	Red
Common	A	F	Black
Channel A	D	A	Blue
Channel B	E	B	Brown
Channel \bar{A}	C	E	White
Channel \bar{B}	F	G	Green
Index	C or E*	C	White
Index	F	G	Green

* C is standard; for outputs "KI" or "LI" (line driver with index), index pin is E

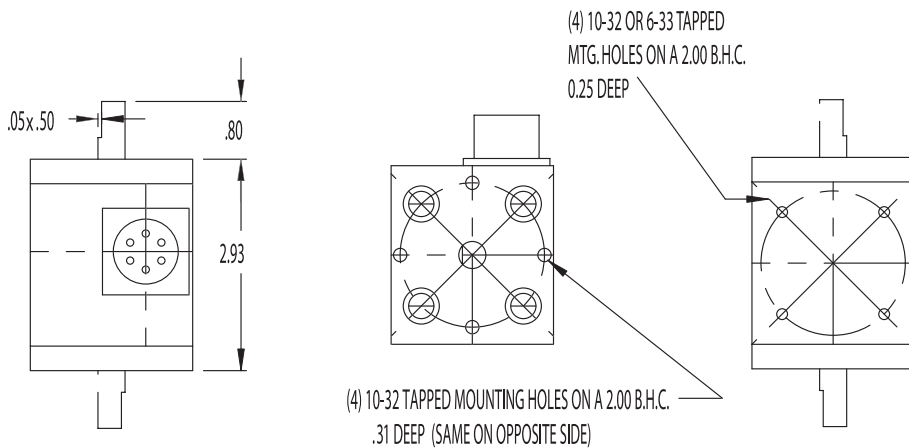
For the latest specifications visit our website
www.herculesencoders.com

Dimensional Drawings

Series 2000 Standard

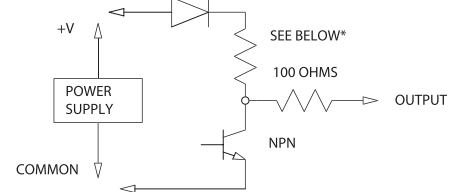


Series 2000 Sealed



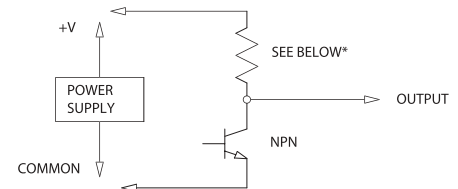
Wire Drawings

OUTPUT TYPES A, B & D



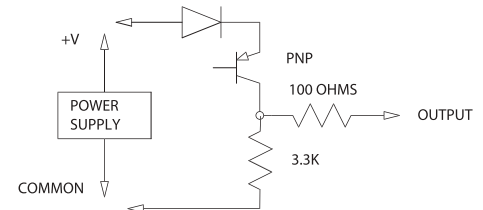
+8 to +28Vdc *Maximum of 18Vdc for "D" output
*3.3K pullup on "A", Not installed on "B", 1.5K on "D"

OUTPUT TYPES F & G



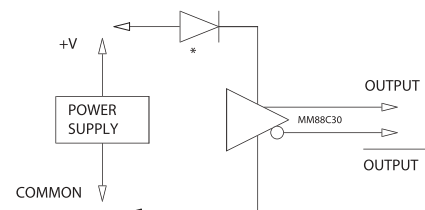
+5 Vdc
*3.3K Pullup on "F", Not installed on "G"

OUTPUT TYPE H



+8 TO +28Vdc

OUTPUT TYPES K & L



+8 TO +15Vdc on "L", +5V on "K"
*Only installed on "L"

Ordering Information

Series	2	3	2	1	S	—	A	Q	0600	—	AQ0120
Shaft Diameter	1=1/4" (0.2497")	3=3/8" (0.3747)									
Shaft Extension	1=Single	2=Double									
Encoder Type											
Mounting Type											
Channel Outputs											
Channel Types											
Optional Index Channel or Add. Encoder											