

S-1 Spectral Response(QE 0.05% at 1.06 μm <R632-01>) 19mm(3/4 Inch) Diameter, 10-stage, Head-On Type

GENERAL

| Parameter | | Description/Value | Unit |
|--------------------------------|------------------------|--------------------|---------|
| Spectral Response | | 400 to 1200 | nm |
| Wavelength of Maximum Response | | 800 | nm |
| Photocathode | Material | Ag-O-Cs | - |
| | Minimum Effective Area | 15 | mm dia. |
| Window Material | | Borosilicate glass | - |
| Dynode | Structure | Linear focused | - |
| | Number of Stages | 10 | - |
| Base | | 12-pin glass base | - |
| Suitable Socket | | E678-12L(supplied) | - |

MAXIMUM RATINGS (Absolute Maximum Values)

| Parameter | | Value | Unit |
|-----------------------|-------------------------------|------------|--------------------|
| Supply Voltage | Between Anode and Cathode | 1500 | Vdc |
| | Between Anode and Last Dynode | 250 | Vdc |
| Average Anode Current | | 0.01 | mA |
| Ambient Temperature | | -80 to +50 | $^{\circ}\text{C}$ |

CHARACTERISTICS (at 25 $^{\circ}\text{C}$)

| Parameter | | Min. | Typ. | Max. | Unit | |
|------------------------------|--|---------|-----------------|------|-------------------------|---|
| Cathode Sensitivity | Luminous(2856K) | 10 | 20 | - | $\mu\text{A}/\text{lm}$ | |
| | Radiant at 800nm | - | 1.9 | - | mA/W | |
| | Red/White Ratio (with Toshiba IR-D80A) | R632 | - | 0.1 | - | - |
| | | R632-01 | - | 0.14 | - | - |
| | Quantum Efficiency at 1.06 μm | R632 | - | 0.02 | - | % |
| R632-01 | | - | 0.05 | - | % | |
| Anode Sensitivity | Luminous(2856K) | 5 | 10 | - | A/lm | |
| | Radiant at 800nm | - | 950 | - | A/W | |
| Gain | | - | 5×10^5 | - | - | |
| Anode Dark Current(at 4A/lm) | R632 | - | 150 | 500 | nA | |
| | R632-01 | - | 800 | 2000 | nA | |
| Time Response | Anode Pulse Rise Time | - | 2.2 | - | ns | |
| | Electron Transit Time | - | 25 | - | ns | |

NOTE: Anode characteristics are measured with the voltage distribution ratio shown below.

VOLTAGE DISTRIBUTION RATIO AND SUPPLY VOLTAGE

| Electrode | K | Dy1 | Dy2 | Dy3 | Dy4 | Dy5 | Dy6 | Dy7 | Dy8 | Dy9 | Dy10 | P |
|-----------|-----|-----|-----|-----|-----|-----|-----|-----|-----|-----|------|---|
| Ratio | 1.5 | 1 | 1 | 1 | 1 | 1 | 1 | 1 | 1 | 1 | 1 | |

Supply Voltage : 1250Vdc, K:Cathode, Dy:Dynode, P:Anode

Subject to local technical requirements and regulations, availability of products included in this promotional material may vary. Please consult with our sales office.

Information furnished by HAMAMATSU is believed to be reliable. However, no responsibility is assumed for possible inaccuracies or commission. Specifications are subjected to change without notice. No patent right are granted to any of the circuits described herein. © 1996 Hamamatsu Photonics K.K.

PHOTOMULTIPLIER TUBES R632, R632-01

Figure 1: Typical Spectral Response

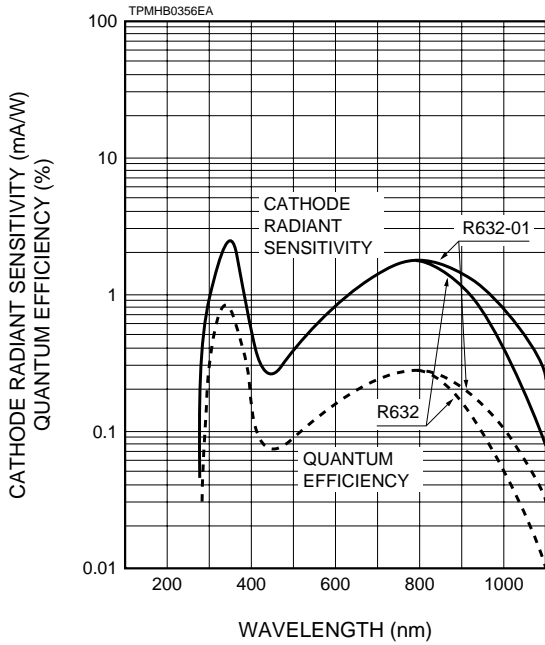


Figure 2: Typical Gain and Anode Dark Current

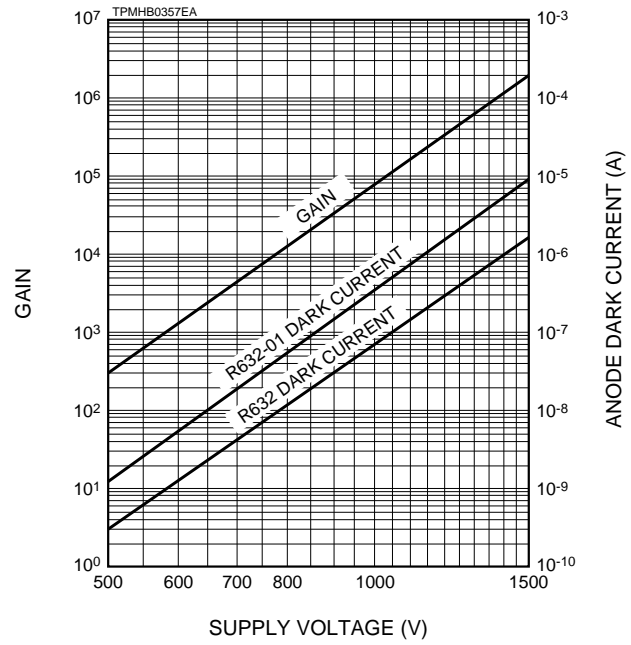


Figure 3: Typical Temperature Characteristics of Dark Current

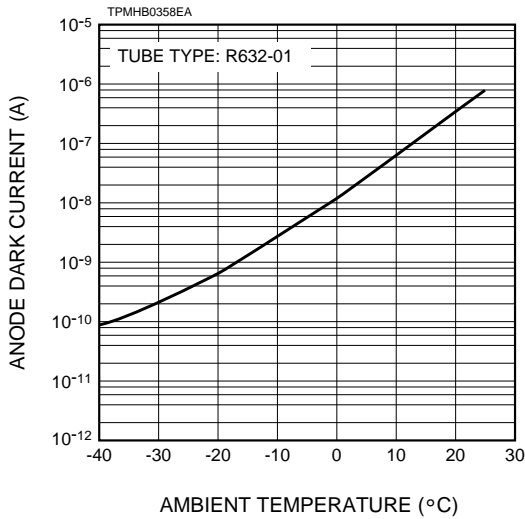
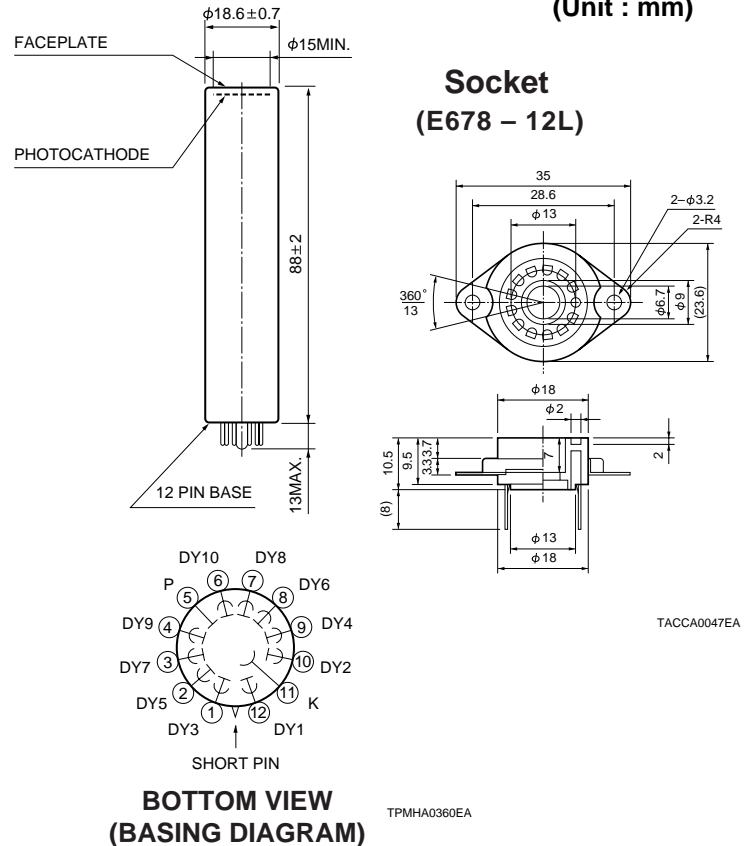


Figure 4: Dimensional Outline and Basing Diagram (Unit : mm)



HAMAMATSU

HAMAMATSU PHOTONICS K.K., Electron Tube Center

314-5, Shimokanzo, Toyooka-village, Iwata-gun, Shizuoka-ken, 438-0193, Japan, Telephone: (81)539/62-5248, Fax: (81)539/62-2205

U.S.A.: Hamamatsu Corporation: 360 Foothill Road, Bridgewater, N.J. 08807-0910, U.S.A., Telephone: (1)908-231-0960, Fax: (1)908-231-1218

Germany: Hamamatsu Photonics Deutschland GmbH: Arzbergerstr. 10, D-82211 Herrsching am Ammersee, Germany, Telephone: (49)8152-375-0, Fax: (49)8152-2658

France: Hamamatsu Photonics France S.A.R.L.: 8, Rue du Saule Trapu, Parc du Moulin de Massy, 91882 Massy Cedex, France, Telephone: (33)1 69 53 71 00, Fax: (33)1 69 53 71 10

United Kingdom: Hamamatsu Photonics UK Limited: Lough Point, 2 Gladbeck Way, Windmill Hill, Enfield, Middlesex EN2 7JA, United Kingdom, Telephone: (44)181-367-3560, Fax: (44)181-367-6384

North Europe: Hamamatsu Photonics Norden AB: Färögatan 7, S-164-40 Kista Sweden, Telephone: (46)8-703-29-50, Fax: (46)8-750-58-95

Italy: Hamamatsu Photonics Italia: S.R.L.: Via Della Moia, 1/E, 20020 Arese, (Milano), Italy, Telephone: (39)2-935 81 733, Fax: (39)2-935 81 741

TPMH1142E01
FEB. 1996