

ECONOLINE - DC/DC-Converter

REC2.2-SRW4 Series, 2.2W, DIP24, Regul., 4:1 Ultra Wide Input Range (Single Output)

RECOM

Features

- 2.2W DIL Package
- 9-36V, 36-72V Ultra Wide Input Range
- Short Circuit Protection
- Regulated Output
- UL94V-0 Package Material

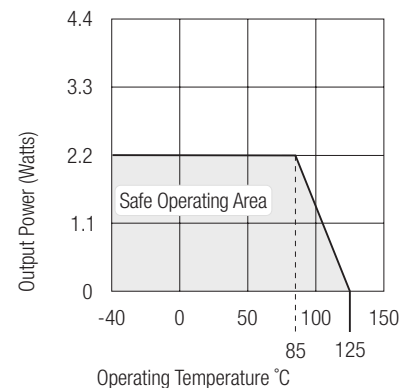


Selection Guide

Part Number DIP24	Input Voltage (VDC)	Output Voltage (VDC)	Output Current (mA)	Efficiency (%)
REC2.2-243.3SRW4	9 - 36	3.3	666	73
REC2.2-2405SRW4	9 - 36	5	440	78
REC2.2-2412SRW4	9 - 36	12	183	83
REC2.2-2415SRW4	9 - 36	15	147	83
REC2.2-4805SRW4	18 - 72	5	440	78
REC2.2-4812SRW4	18 - 72	12	183	83
REC2.2-4815SRW4	18 - 72	15	147	83

Specifications (Core Operating Area) and Operating Temperature / Derating-Graph

Input Voltage	9-36VDC, 36-72VDC
Output Accuracy	±1% typ.
Line Voltage Regulation (10% - 100% Full Load)	±0.2% max.
Output Power	2.2 Watt max.
Load Voltage Regulation (10% - 100% Full Load)	±0.4% max.
Ripple and Noise (20MHz limited)	50mVp-p max.
Efficiency at Full Load	up to 83%
Isolation Voltage	1000VDC min.
Short Circuit Protection	Continuous
Switching Frequency at Full Load	100kHz typ.
Operating Temperature	-40°C to +85°C (see Graph)
Storage Temperature	-55°C to +125°C



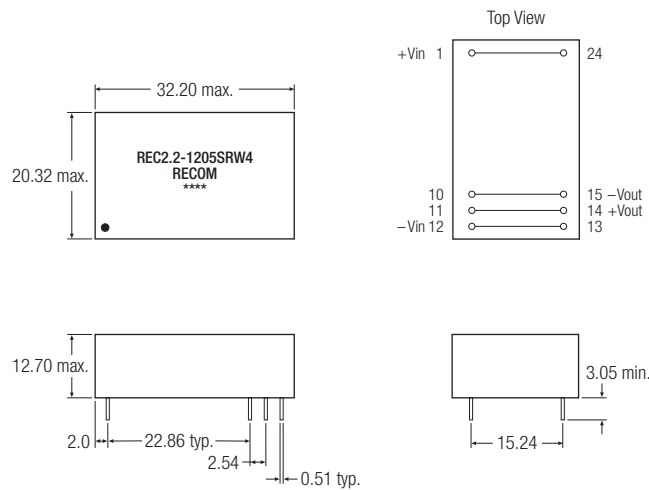
ECONOLINE - DC/DC-Converter

REC2.2-SRW4 Series, 2.2W, DIP24, Regul., 4:1 Ultra Wide Input Range (Single Output)

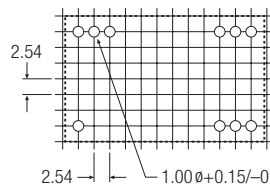
RECOM

Package Style and Pinning (mm)

24 PIN DIP Package



Recommended Footprint Details



XX.X ± 0.5 mm
XX.XX ± 0.25 mm