




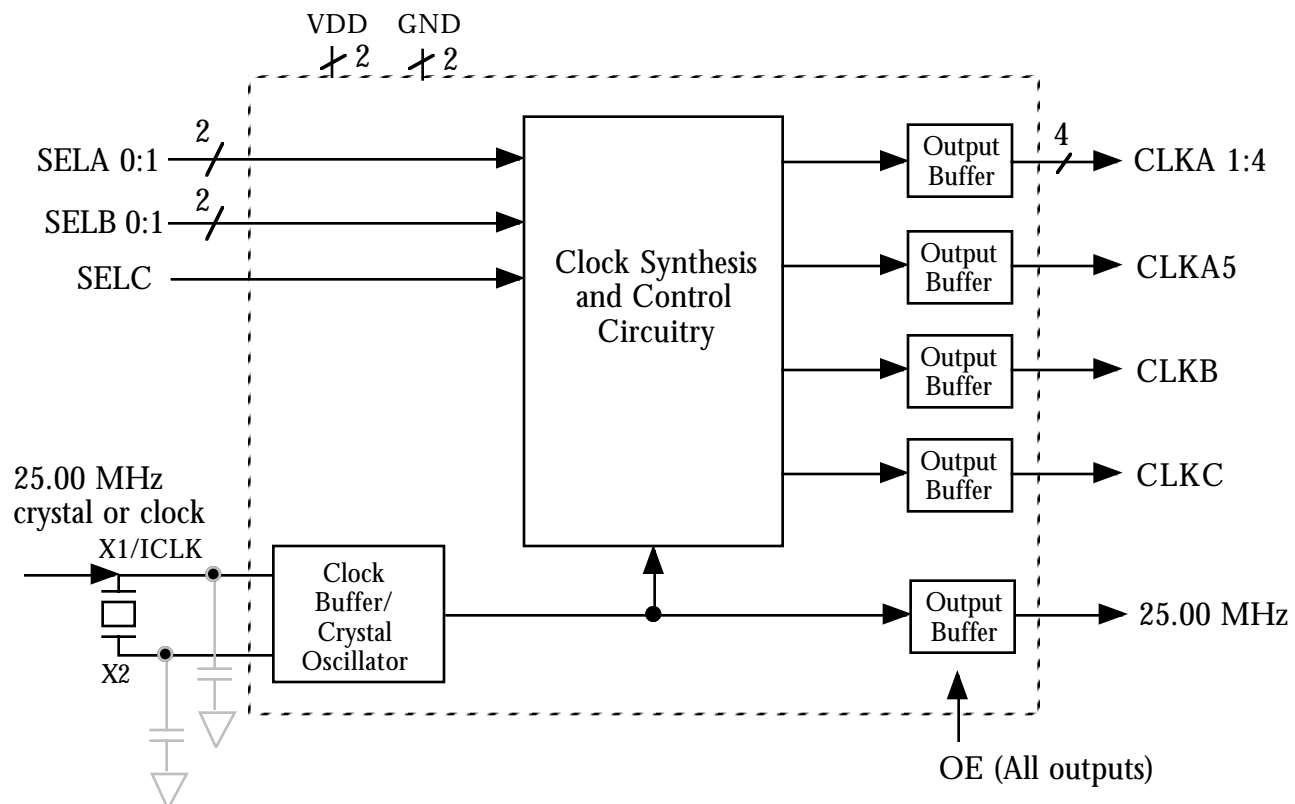
Description

The ICS650-14B is a low cost, low jitter, high performance clock synthesizer customized for networking systems applications. Using analog Phase-Locked Loop (PLL) techniques, the device accepts a 25.0 MHz clock or fundamental mode crystal input to produce multiple output clocks of one fixed 25.0 MHz, a four (plus one) frequency selectable bank, and two frequency selectable clocks. All output clocks are frequency locked together. The ICS650R-14B outputs all have 0 ppm synthesis error.

Features

- Packaged in 20 pin (150 mil) SSOP (QSOP) 
- 25.00 MHz fundamental crystal or clock input
- One fixed output clock of one 25.0 MHz
- One bank of four frequency selectable output clocks
- Three frequency selectable clock outputs
- Zero ppm synthesis error in all clocks
- Ideal for networking systems
- Full CMOS output swing
- Advanced, low power, sub-micron CMOS process
- 3.0V to 5.5V operating voltage
- Industrial temperature range available

Block Diagram



Optional crystal capacitors are shown and may be required for tuning of initial accuracy (determined once per board).



Pin Assignment

SELB0	□ 1	20	□ SELC
X2	□ 2	19	□ SELA0
X1/ICLK	□ 3	18	□ CLKA2
VDD	□ 4	17	□ CLKA3
SELB1	□ 5	16	□ VDD
GND	□ 6	15	□ SELA1
CLKB	□ 7	14	□ GND
CLKC	□ 8	13	□ CLKA4
CLKA5	□ 9	12	□ CLKA1
25M	□ 10	11	□ OE

20 pin (150 mil) SSOP

Table 1

SELA1	SELA0	CLKA1:4	CLKA5
0	0	33.33	66.66
0	M	50	75
0	1	66.67	133.33
M	0	100	33.33
M	M	33.33	83.33
M	1	50	125
1	0	33.33	100
1	M	25	75
1	1	66.67	100

Table 2

SELB1	SELB0	CLKB
0	0	30
0	M	27
0	1	48
1	0	83.33
1	M	19.44
1	1	80

Table 3

SELC	CLKC
0	CLKB/4
M	62.5
1	125

0 = connect directly to ground
1 = connect directly to VDD
M = leave unconnected (floating)

Pin Descriptions

Number	Name	Type	Description
1	SELB0	TI	Select pin for CLKB. See Table 2.
2	X2	XO	Crystal connection. Connect to 25 MHz crystal or leave unconnected for a clock input.
3	X1/ICLK	XI	Crystal connection. Connect to 25 MHz fundamental crystal or clock input.
4	VDD	P	Connect to +3.3 V or +5 V. Must be same as other VDDs.
5	SELB1	I(Pu)	Select pin for CLK B. See table 2.
6	GND	P	Connect to ground.
7	CLKB	O	Selectable clock output. See Table 2.
8	CLKC	O	Selectable clock output. See Table 3.
9	CLKA5	O	Selectable clock output. See Table 1.
10	25M	O	25.0 MHz clock output.
11	OE	I(Pu)	Output Enable. Tri-states all output clocks when low. Internal pull-up.
12	CLKA1	O	Selectable clock output. See Table 1.
13	CLKA4	O	Selectable clock output. See Table 1.
14	GND	P	Connect to ground.
15	SELA1	TI	Select pin for CLKA1:4 and CLKA5 outputs. See Table 1.
16	VDD	P	Connect to +3.3V or +5.0V. Must be same as other VDDs.
17	CLKA3	O	Selectable clock output. See Table 1.
18	CLKA2	O	Selectable clock output. See Table 1.
19	SELA0	TI	Select pin for CLKA1:4 and CLKA5 outputs. See Table 1.
20	SELC	TI	Select pin for CLKC output. See Table 3.

Key: XI, XO = crystal connections; I = Input; I(Pu) = Input with pull up O = Output; P = power supply connection; TI = tri level input

**Electrical Specifications**

Parameter	Conditions	Minimum	Typical	Maximum	Units
ABSOLUTE MAXIMUM RATINGS (note 1)					
Supply voltage, VDD	Referenced to GND			7	V
Inputs and Clock Outputs	Referenced to GND	-0.5		VDD+0.5	V
Ambient Operating Temperature		0		70	°C
Ambient Operating Temperature	Industrial "I" version	-40		85	°C
Soldering Temperature	Max of 20 seconds			260	°C
Storage temperature		-65		150	°C
DC CHARACTERISTICS (VDD = 3.3V unless noted)					
Operating Voltage, VDD		3		5.5	V
Input High Voltage, VIH, X1 pin only	Clock Input	VDD/2 + 1			V
Input Low Voltage, VIL, X1 pin only	Clock Input			VDD/2 - 1	V
Input High Voltage, VIH, SEL pins only		VDD - 0.5			V
Input Low Voltage, VIL, SEL pins only				0.5	V
Input High Voltage, VIH, OE pin only		2.0			V
Input Low Voltage, VIL, OE pin only				0.8	V
Output High Voltage, VOH	IOH=-12mA	2.4			V
Output Low Voltage, VOL	IOL=12mA			0.4	V
Output High Voltage, VOH, CMOS level	IOH=-8mA	VDD-0.4			V
Operating Supply Current, IDD	No Load		TBD		mA
Short Circuit Current	Each output		±50		mA
AC CHARACTERISTICS (VDD = 3.3V unless noted)					
Input Frequency			25.000		MHz
Output Clock Rise Time	0.8 to 2.0V			1.5	ns
Output Clock Fall Time	2.0 to 0.8V			1.5	ns
Output Clock Duty Cycle	At VDD/2	45	50	55	%
Frequency error	All clocks			0	ppm
Absolute Jitter, short term	Variation from mean		TBD		ps

- Notes: 1. Stresses beyond those listed under Absolute Maximum Ratings could cause permanent damage to the device. Prolonged exposure to levels above the operating limits but below the Absolute Maximums may affect device reliability.
2. CMOS level input, nominal trip point is VDD/2 for 3.3 V or 5 V operation.

External Components

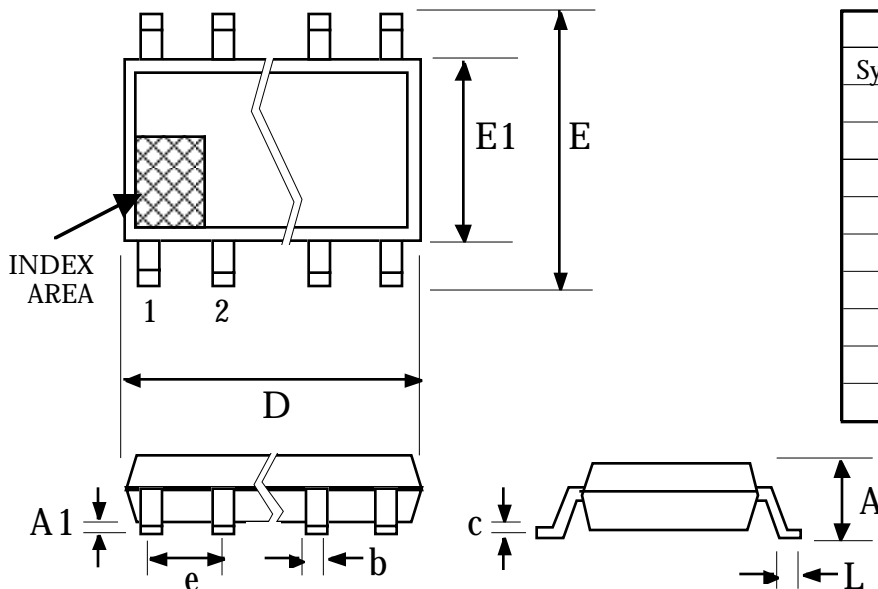
The ICS650R-14B requires a minimum number of external components for proper operation. Decoupling capacitors of 0.01 μ F should be connected between each VDD and GND on Pins 4 and 6, and Pins 16 and 14, as close to the ICS650R-14B as possible. A series termination resistor of 33 Ω may be used for each clock output. The 25.00 MHz crystal must be connected as close to the chip as possible. The crystal should be a fundamental mode (do not use third overtone), parallel resonant. Crystal capacitors should be connected from pins X1 to ground and X2 to ground to optimize the initial accuracy. The value of these capacitors is given by the following equation, where C_L is the crystal load capacitance: Crystal caps (pF) = $(C_L - 6) \times 2$. So for a crystal with 16 pF load capacitance, two 20 pF caps should be used.



Package Outline and Package Dimensions

(For current dimensional specifications, see JEDEC Publication No. 95.)

20 pin SSOP



Symbol	Inches		Millimeters	
	Min	Max	Min	Max
A	0.053	0.069	1.35	1.75
A1	0.004	0.010	0.10	0.25
b	0.008	0.012	0.20	0.30
c	0.007	0.010	0.18	0.25
D	0.337	0.344	8.55	8.75
e	.025 BSC		0.635 BSC	
E	0.228	0.244	5.80	6.20
E1	0.150	0.157	3.80	4.00
L	0.016	0.050	0.40	1.27

Ordering Information for ICS650-14B

Part/Order Number	Marking	Shipping packaging	Package	Temperature
ICS650R-14	ICS650R-14	tubes	20 pin SSOP	0 to +70 °C
ICS650R-14T	ICS650R-14	tape and reel	20 pin SSOP	0 to +70 °C
ICS650R-14I	ICS650R-14I	tubes	20 pin SSOP	-40 to +85 °C
ICS650R-14I	ICS650R-14I	tape and reel	20 pin SSOP	-40 to +85 °C

While the information presented herein has been checked for both accuracy and reliability, Integrated Circuit Systems, Inc (ICS) assumes no responsibility for either its use or for the infringement of any patents or other rights of third parties, which would result from its use. No other circuits, patents, or licenses are implied. This product is intended for use in normal commercial applications. Any other applications such as those requiring extended temperature range, high reliability, or other extraordinary environmental requirements are not recommended without additional processing by ICS. ICS reserves the right to change any circuitry or specifications without notice. ICS does not authorize or warrant any ICS product for use in life support devices or critical medical instruments.