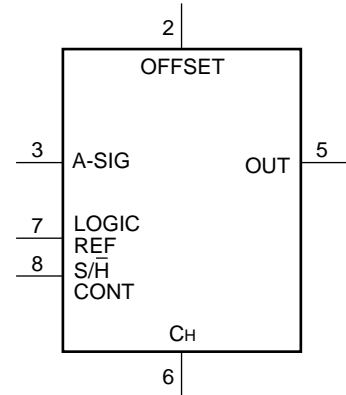
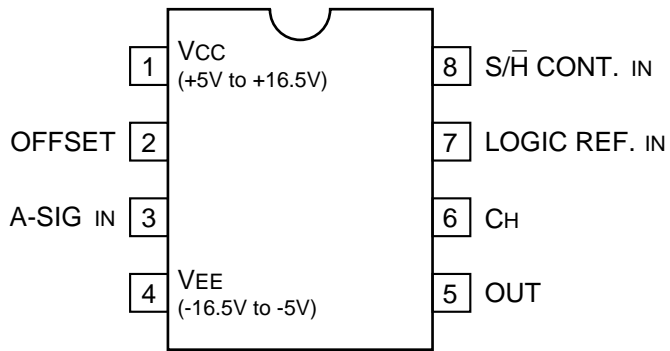

SAMPLE AND HOLD CIRCUIT —TOP VIEW—



S/H CONT. ; SAMPLE/HOLD CONTROL
CH ; EXTERNAL HOLD CAPACITOR