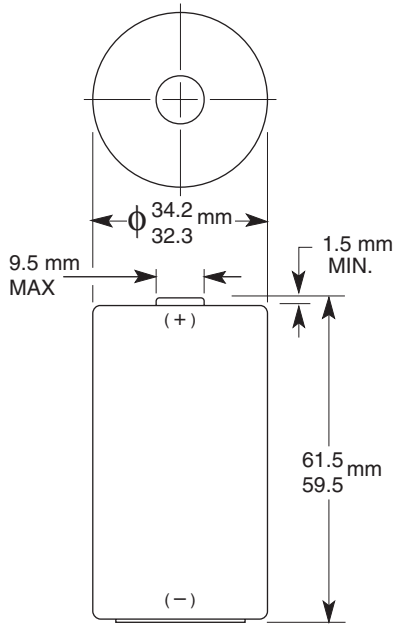


MX 1300

Size: D (LR20)

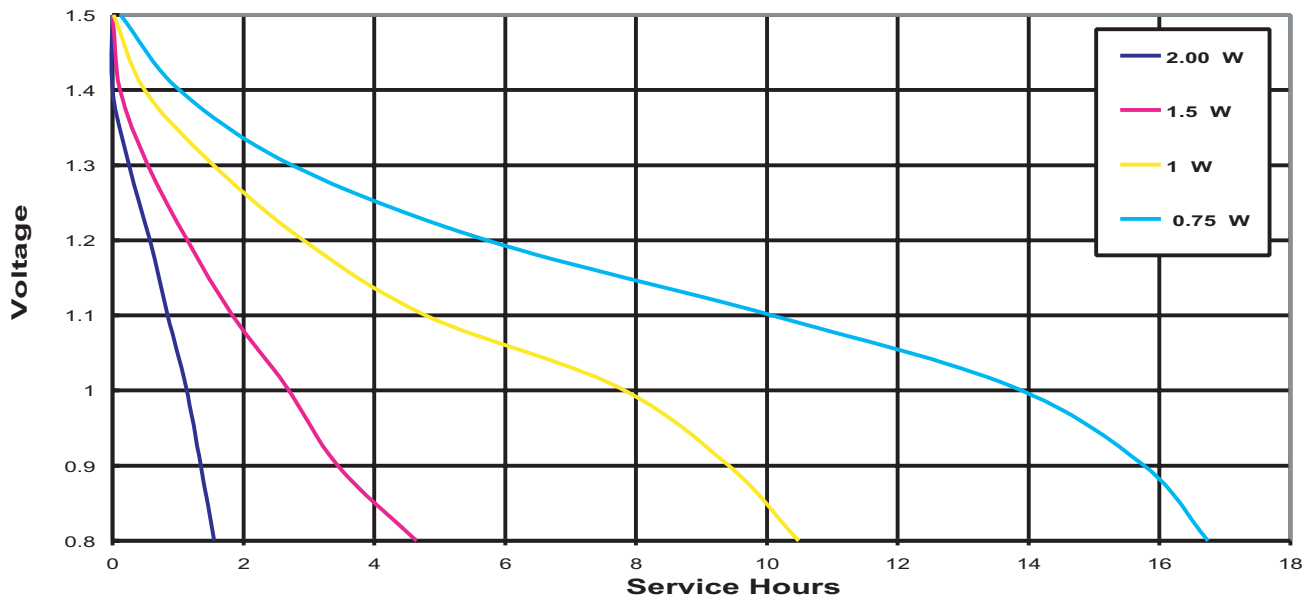
Alkaline-Manganese Dioxide Battery



Nominal Voltage:	1.5 V
Nominal Internal Impedance:	126 m-ohm @ 1kHz
Average Weight:	145 gm (5.1 oz.)
Volume:	56.4 cm ³ (3.44 in. ³)
Terminals:	Flat
Operating Temperature Range:	-20°C to 54°C (-4°F to 130°F)
NEDA/ANSI:	13A
IEC:	LR20

Dimensions shown are IEC/ANSI standards

TYPICAL DISCHARGE CHARACTERISTICS AT 21° C (70° F)



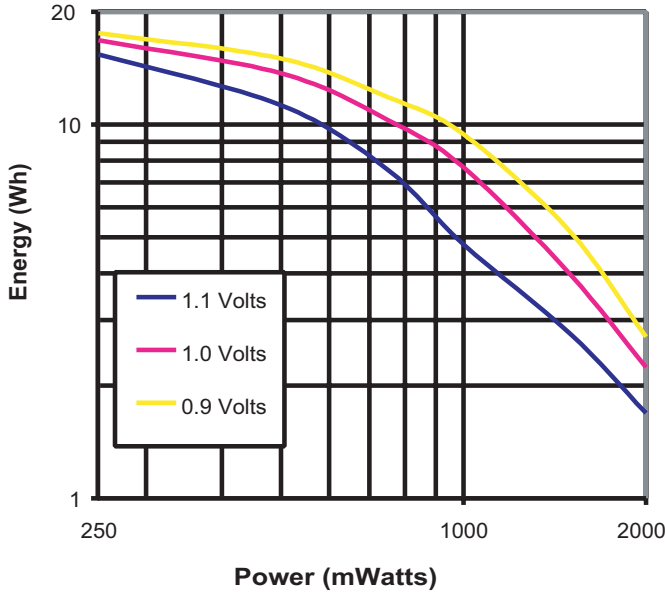
* Delivered capacity is dependent on the applied load, operating temperature and cut-off voltage. Please refer to the charts and discharge data shown for examples of the energy / service life that the battery will provide for various load conditions.



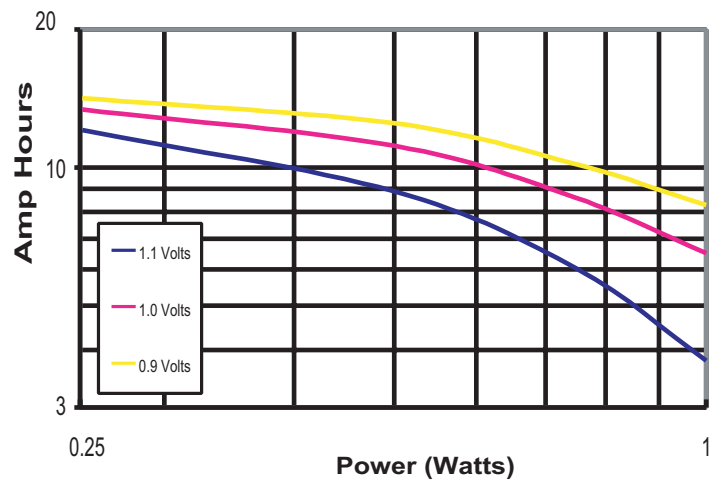
MX 1300
Size: D (LR20)
Alkaline-Manganese Dioxide Battery

Zn/MnO₂

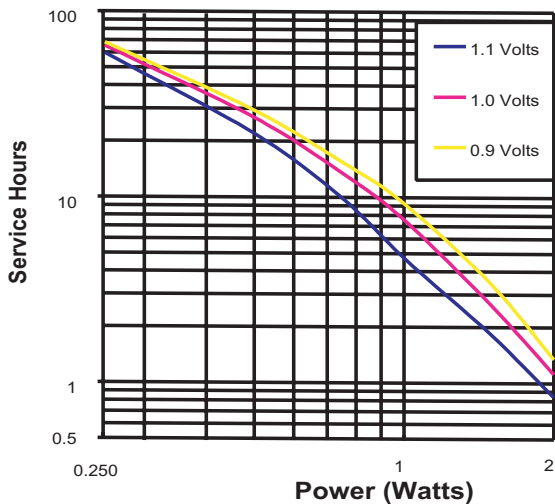
Delivered Energy vs. Power Drain



Delivered Capacity vs. Power Drain



Service Hours vs. Power Drain



All testing at 21°C (70°F)

DURACELL
 BATTERIES

Berkshire Corporate Park
 Bethel, CT 06801 U.S.A.
 Telephone: Toll-free 1-800-544-5454
 Internet: www.duracell.com

* Delivered capacity is dependent on the applied load, operating temperature and cut-off voltage. Please refer to the charts and discharge data shown for examples of the energy / service life that the battery will provide for various load conditions.