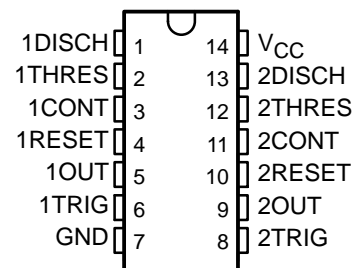


# NE556, SA556, SE556 DUAL PRECISION TIMERS

SLFS023F – APRIL 1978 – REVISED MARCH 2003

- Two Precision Timing Circuits Per Package
- Astable or Monostable Operation
- TTL-Compatible Output Can Sink or Source Up To 150 mA
- Active Pullup or Pulldown
- Designed to Be Interchangeable With Signetics NE556, SA556, and SE556
- Applications Include:
  - Precision Timers From Microseconds to Hours
  - Pulse-Shaping Circuits
  - Missing-Pulse Detectors
  - Tone-Burst Generators
  - Pulse-Width Modulators
  - Pulse-Position Modulators
  - Sequential Timers
  - Pulse Generators
  - Frequency Dividers
  - Application Timers
  - Industrial Controls
  - Touch-Tone Encoders

NE556 . . . D, N, OR NS PACKAGE  
SA556 . . . D OR N PACKAGE  
SE556 . . . J PACKAGE  
(TOP VIEW)



## description/ordering information

These devices provide two independent timing circuits of the NE555, SA555, or SE555 type in each package. These circuits can be operated in the astable or the monostable mode with external resistor-capacitor (RC) timing control. The basic timing provided by the RC time constant can be controlled actively by modulating the bias of the control-voltage input.

The threshold (THRES) and trigger (TRIG) levels normally are two-thirds and one-third, respectively, of V<sub>CC</sub>. These levels can be altered by using the control-voltage (CONT) terminal. When the trigger input falls below trigger level, the flip-flop is set and the output goes high. If the trigger input is above the trigger level and the threshold input is above the threshold level, the flip-flop is reset, and the output is low. The reset (RESET) input can override all other inputs and can be used to initiate a new timing cycle. When RESET goes low, the flip-flop is reset and the output goes low. When the output is low, a low-impedance path is provided between the discharge (DISCH) terminal and ground (GND).

## ORDERING INFORMATION

T <sub>A</sub>	V <sub>T</sub> (MAX) V <sub>CC</sub> = 15 V	PACKAGE†		ORDERABLE PART NUMBER	TOP-SIDE MARKING
0°C to 70°C	11.2 V	PDIP (N)	Tube of 25	NE556N	NE556N
		SOIC (D)	Tube of 50	NE556D	
			Reel of 2500	NE556DR	NE556
		SOP (NS)	Reel of 2000	NE556NSR	NE556
-40°C to 85°C	11.2 V	PDIP (N)	Tube of 25	SA556N	SA556N
-55°C to 125°C	10.6 V	CDIP (J)	Tube of 25	SE556J	SE556J
				SE556JB	SE556JB

† Package drawings, standard packing quantities, thermal data, symbolization, and PCB design guidelines are available at [www.ti.com/sc/package](http://www.ti.com/sc/package).



Please be aware that an important notice concerning availability, standard warranty, and use in critical applications of Texas Instruments semiconductor products and disclaimers thereto appears at the end of this data sheet.

PRODUCTION DATA information is current as of publication date. Products conform to specifications per the terms of Texas Instruments standard warranty. Production processing does not necessarily include testing of all parameters.

 **TEXAS  
INSTRUMENTS**

POST OFFICE BOX 655303 • DALLAS, TEXAS 75265

Copyright © 2003, Texas Instruments Incorporated  
On products compliant to MIL-PRF-38535, all parameters are tested unless otherwise noted. On all other products, production processing does not necessarily include testing of all parameters.

# NE556, SA556, SE556 DUAL PRECISION TIMERS

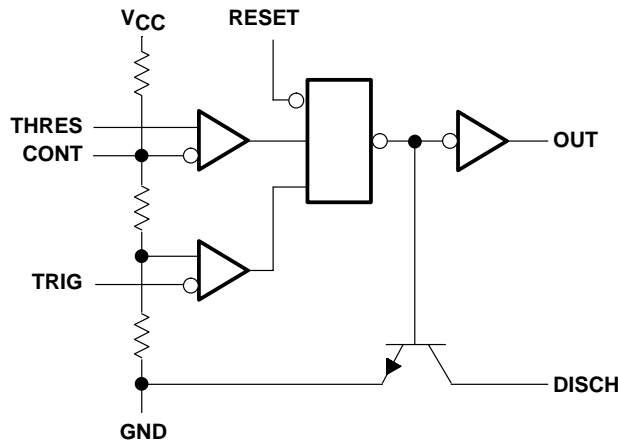
SLFS023F – APRIL 1978 – REVISED MARCH 2003

**FUNCTION TABLE**  
(each timer)

RESET	TRIGGER VOLTAGE†	THRESHOLD VOLTAGE†	OUTPUT	DISCHARGE SWITCH
Low	Irrelevant	Irrelevant	Low	On
High	$<1/3 V_{DD}$	Irrelevant	High	Off
High	$>1/3 V_{DD}$	$>2/3 V_{DD}$	Low	On
High	$>1/3 V_{DD}$	$<2/3 V_{DD}$	As previously established	

† Voltage levels shown are nominal.

## functional block diagram, each timer



RESET can override TRIG, which can override THRES.

## absolute maximum ratings over operating free-air temperature range (unless otherwise noted)‡

Supply voltage, $V_{CC}$ (see Note 1)	18 V
Input voltage (CONT, RESET, THRES, and TRIG)	$V_{CC}$
Output current	$\pm 225$ mA
Package thermal impedance, $\theta_{JA}$ (see Notes 2 and 3): D package	86°C/W
N package	80°C/W
NS package	76°C/W
Package thermal impedance, $\theta_{JC}$ (see Notes 4 and 5): J package	15.05°C/W
Operating virtual junction temperature, $T_J$	150°C
Lead temperature 1,6 mm (1/16 inch) from case for 60 seconds: J package	300°C
Lead temperature 1,6 mm (1/16 inch) from case for 10 seconds: D, N, or NS package	260°C
Storage temperature range, $T_{stg}$	-65°C to 150°C

‡ Stresses beyond those listed under “absolute maximum ratings” may cause permanent damage to the device. These are stress ratings only, and functional operation of the device at these or any other conditions beyond those indicated under “recommended operating conditions” is not implied. Exposure to absolute-maximum-rated conditions for extended periods may affect device reliability.

NOTES: 1. All voltage values are with respect to network ground terminal.

- Maximum power dissipation is a function of  $T_J(\max)$ ,  $\theta_{JA}$ , and  $T_A$ . The maximum allowable power dissipation at any allowable ambient temperature is  $P_D = (T_J(\max) - T_A)/\theta_{JA}$ . Operating at the absolute maximum  $T_J$  of 150°C can affect reliability.
- The package thermal impedance is calculated in accordance with JESD 51-7.
- Maximum power dissipation is a function of  $T_J(\max)$ ,  $\theta_{JC}$ , and  $T_C$ . The maximum allowable power dissipation at any allowable case temperature is  $P_D = (T_J(\max) - T_C)/\theta_{JC}$ . Operating at the absolute maximum  $T_J$  of 150°C can affect reliability.
- The package thermal impedance is calculated in accordance with MIL-STD-883.

# NE556, SA556, SE556 DUAL PRECISION TIMERS

SLFS023F – APRIL 1978 – REVISED MARCH 2003

## recommended operating conditions

		MIN	MAX	UNIT	
V <sub>CC</sub>	Supply voltage	NE556, SA556	4.5	16	V
		SE556	4.5	18	
V <sub>I</sub>	Input voltage (CONT, RESET, THRES, and TRIG)		V <sub>CC</sub>	V	
I <sub>O</sub>	Output current		±200	mA	
T <sub>A</sub>	Operating free-air temperature	NE556	0	70	°C
		SA556	-40	85	
		SE556	-55	125	

# NE556, SA556, SE556 DUAL PRECISION TIMERS

SLFS023F – APRIL 1978 – REVISED MARCH 2003

## electrical characteristics, $V_{CC} = 5\text{ V to }15\text{ V}$ , $T_A = 25^\circ\text{C}$ (unless otherwise noted)

PARAMETER	TEST CONDITIONS	NE556 SA556			SE556			UNIT	
		MIN	TYP	MAX	MIN	TYP	MAX		
$V_T$ Threshold voltage level	$V_{CC} = 15\text{ V}$	8.8	10	11.2	9.4	10	10.6	V	
	$V_{CC} = 5\text{ V}$	2.4	3.3	4.2	2.7	3.3	4		
$I_T$ Threshold current (see Note 6)			30	250		30	250	nA	
$V_{TRIG}$ Trigger voltage level	$V_{CC} = 15\text{ V}$		4.5	5	5.6	4.8	5	5.2	V
		$T_A = -55^\circ\text{C to }125^\circ\text{C}$				3		6	
	$V_{CC} = 5\text{ V}$		1.1	1.67	2.2	1.45	1.67	1.9	
		$T_A = -55^\circ\text{C to }125^\circ\text{C}$						1.9	
$I_{TRIG}$ Trigger current	TRIG at 0 V		0.5	2		0.5	0.9	$\mu\text{A}$	
$V_{RESET}$ Reset voltage level		0.3	0.7	1	0.3	0.7	1	V	
	$T_A = -55^\circ\text{C to }125^\circ\text{C}$						1.1		
$I_{RESET}$ Reset current	RESET at $V_{CC}$		0.1	0.4		0.1	0.4	mA	
	RESET at 0 V		-0.4	1.5		-0.4	-1		
$I_{DISCH}$ Discharge switch off-state current			20	100		20	100	nA	
$V_{CONT}$ Control voltage (open circuit)	$V_{CC} = 15\text{ V}$		9	10	11	9.6	10	10.4	V
		$T_A = -55^\circ\text{C to }125^\circ\text{C}$				9.6		10.4	
	$V_{CC} = 5\text{ V}$		2.6	3.3	4	2.9	3.3	3.8	
		$T_A = -55^\circ\text{C to }125^\circ\text{C}$				2.9		3.8	
$V_{OL}$ Low-level output voltage	$V_{CC} = 15\text{ V}$ , $I_{OL} = 10\text{ mA}$		0.1	0.25		0.1	0.15	V	
		$T_A = -55^\circ\text{C to }125^\circ\text{C}$							0.2
	$V_{CC} = 15\text{ V}$ , $I_{OL} = 50\text{ mA}$		0.4	0.75		0.4	0.5		
		$T_A = -55^\circ\text{C to }125^\circ\text{C}$							1
	$V_{CC} = 15\text{ V}$ , $I_{OL} = 100\text{ mA}$		2	2.5		2	2.2		
		$T_A = -55^\circ\text{C to }125^\circ\text{C}$							2.7
	$V_{CC} = 15\text{ V}$ , $I_{OL} = 200\text{ mA}$		2.5			2.5			
	$V_{CC} = 5\text{ V}$ , $I_{OL} = 3.5\text{ mA}$	$T_A = -55^\circ\text{C to }125^\circ\text{C}$							0.35
$V_{CC} = 5\text{ V}$ , $I_{OL} = 5\text{ mA}$		0.1	0.25		0.1	0.15			
	$T_A = -55^\circ\text{C to }125^\circ\text{C}$						0.8		
$V_{OH}$ High-level output voltage	$V_{CC} = 15\text{ V}$ , $I_{OH} = -100\text{ mA}$		12.75	13.3		13	13.3	V	
		$T_A = -55^\circ\text{C to }125^\circ\text{C}$				12			
	$V_{CC} = 15\text{ V}$ , $I_{OH} = -200\text{ mA}$		12.5			12.5			
	$V_{CC} = 5\text{ V}$ , $I_{OH} = -100\text{ mA}$		2.75	3.3		3	3.3		
$T_A = -55^\circ\text{C to }125^\circ\text{C}$					2				
$I_{CC}$ Supply current	Output low, No load	$V_{CC} = 15\text{ V}$	20	30		20	24	mA	
		$V_{CC} = 5\text{ V}$	6	12		6	10		
	Output high, No load	$V_{CC} = 15\text{ V}$	18	26		18	20		
		$V_{CC} = 5\text{ V}$	4	10		4	8		

NOTE 6: This parameter influences the maximum value of the timing resistors  $R_A$  and  $R_B$  in the circuit of Figure 1. For example, when  $V_{CC} = 5\text{ V}$ , the maximum value is  $R = R_A + R_B \approx 3.4\text{ M}\Omega$ , and for  $V_{CC} = 15\text{ V}$ , the maximum value is  $\approx 10\text{ M}\Omega$ .



POST OFFICE BOX 655303 • DALLAS, TEXAS 75265

## operating characteristics, $V_{CC} = 5\text{ V}$ and $15\text{ V}$

PARAMETER		TEST CONDITIONS†	NE556 SA556			SE556			UNIT
			MIN	TYP	MAX	MIN	TYP	MAX	
Initial error of timing interval‡	Each timer, monostable§	$T_A = 25^\circ\text{C}$		1	3	0.5	1.5*		
	Each timer, astable¶			2.25%		1.5%			
	Timer 1–Timer 2			$\pm 1$		$\pm 0.5$			
Temperature coefficient of timing interval	Each timer, monostable§	$T_A = \text{MIN to MAX}$		50		30	100*	ppm/°C	
	Each timer, astable¶			150		90			
	Timer 1–Timer 2			$\pm 10$		$\pm 10$			
Supply voltage sensitivity of timing interval	Each timer, monostable§	$T_A = 25^\circ\text{C}$		0.1	0.5	0.05	0.2*	%V	
	Each timer, astable¶			0.3		0.15			
	Timer 1–Timer 2			$\pm 0.2$		$\pm 0.1$			
Output-pulse rise time		$C_L = 15\text{ pF}, T_A = 25^\circ\text{C}$		100	300	100	200*	ns	
Output-pulse fall time		$C_L = 15\text{ pF}, T_A = 25^\circ\text{C}$		100	300	100	200*	ns	

\* On products compliant to MIL-PRF-38535, this parameter is not production tested.

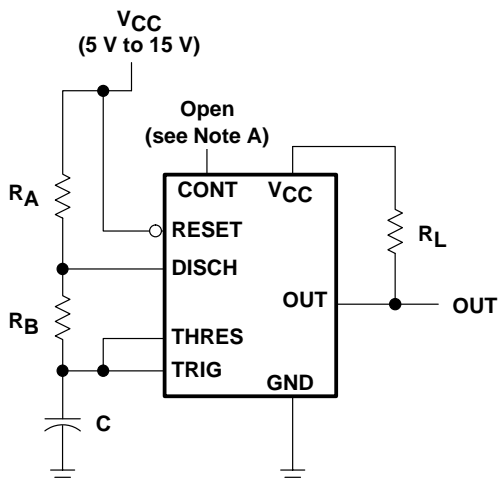
† For conditions shown as MIN or MAX, use the appropriate value specified under recommended operating conditions.

‡ Timing-interval error is defined as the difference between the measured value and the average value of a random sample from each process run.

§ Values specified are for a device in a monostable circuit similar to Figure 2, with the following component values:  $R_A = 2\text{ k}\Omega$  to  $100\text{ k}\Omega$ ,  $C = 0.1\text{ }\mu\text{F}$ .

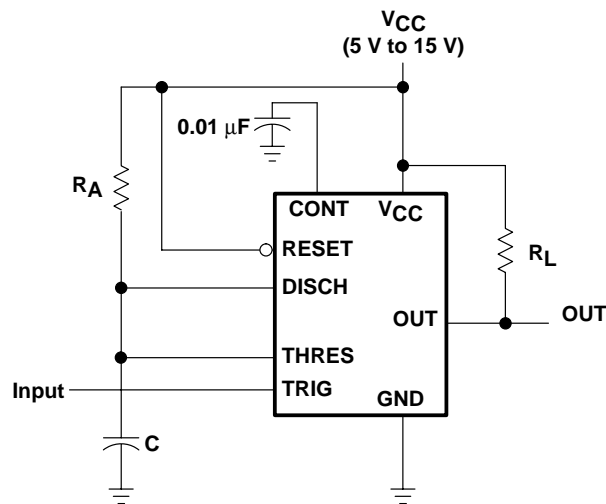
¶ Values specified are for a device in an astable circuit similar to Figure 1, with the following component values:  $R_A = 1\text{ k}\Omega$  to  $100\text{ k}\Omega$ ,  $C = 0.1\text{ }\mu\text{F}$ .

## APPLICATION INFORMATION



NOTE A: Bypassing the control-voltage input to ground with a capacitor might improve operation. This should be evaluated for individual applications.

**Figure 1. Circuit for Astable Operation**



**Figure 2. Circuit for Monostable Operation**

## IMPORTANT NOTICE

Texas Instruments Incorporated and its subsidiaries (TI) reserve the right to make corrections, modifications, enhancements, improvements, and other changes to its products and services at any time and to discontinue any product or service without notice. Customers should obtain the latest relevant information before placing orders and should verify that such information is current and complete. All products are sold subject to TI's terms and conditions of sale supplied at the time of order acknowledgment.

TI warrants performance of its hardware products to the specifications applicable at the time of sale in accordance with TI's standard warranty. Testing and other quality control techniques are used to the extent TI deems necessary to support this warranty. Except where mandated by government requirements, testing of all parameters of each product is not necessarily performed.

TI assumes no liability for applications assistance or customer product design. Customers are responsible for their products and applications using TI components. To minimize the risks associated with customer products and applications, customers should provide adequate design and operating safeguards.

TI does not warrant or represent that any license, either express or implied, is granted under any TI patent right, copyright, mask work right, or other TI intellectual property right relating to any combination, machine, or process in which TI products or services are used. Information published by TI regarding third-party products or services does not constitute a license from TI to use such products or services or a warranty or endorsement thereof. Use of such information may require a license from a third party under the patents or other intellectual property of the third party, or a license from TI under the patents or other intellectual property of TI.

Reproduction of information in TI data books or data sheets is permissible only if reproduction is without alteration and is accompanied by all associated warranties, conditions, limitations, and notices. Reproduction of this information with alteration is an unfair and deceptive business practice. TI is not responsible or liable for such altered documentation.

Resale of TI products or services with statements different from or beyond the parameters stated by TI for that product or service voids all express and any implied warranties for the associated TI product or service and is an unfair and deceptive business practice. TI is not responsible or liable for any such statements.

### Mailing Address:

Texas Instruments  
Post Office Box 655303  
Dallas, Texas 75265