

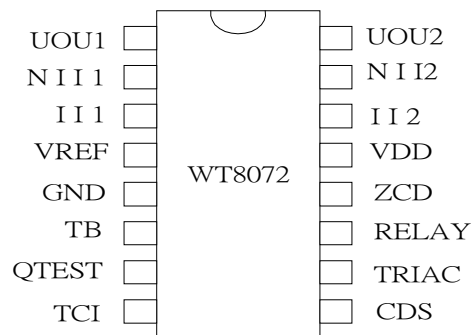
GENERAL DESCRIPTION

WT 8072 is a PIR (passive infra-red) controller, using analog mixing digital design technique and manufactures by CMOS process which can either drive TRIAC or RELAY depending on users' choice. With special noise immunity technique, WT8072 is the most stable PIR controller you can find on the market. More than this, there are few components needed in its application circuit which can reduce material cost and increase competitive.

FEATURES

- *HIGH NOISE IMMUNITY.
- *DRIVE EITHER RELAY OR TRIAC.
- *ADJUSTABLE LIGHT ON DURATION.
- *TRIAC CAN BE EITHER SHUNT OR SERIAL CONNECTED.
- *PIR INPUT.
- *CDS INPUT.

PIN CONFIGURATION

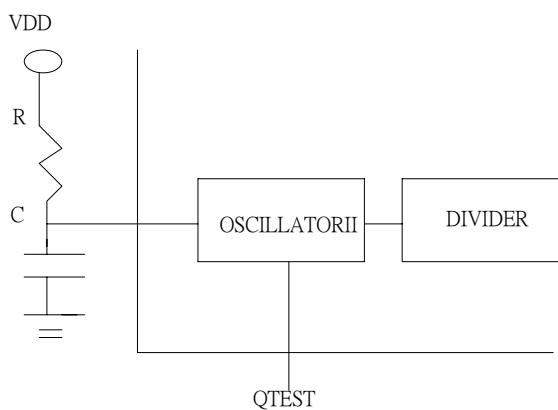
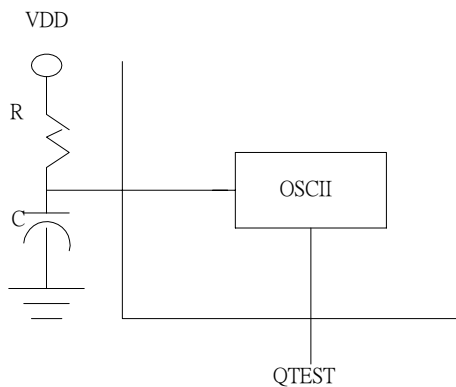


PIN DESCRIPTION

| Pin No. | Pin Name | I/O | Description |
|---------|----------|-----|--|
| 1 | UOU1 | | First stage OP amp output |
| 2 | NII 1 | | First stage OP amp positive input |
| 3 | II 1 | | First stage OP amp negative input |
| 4 | VREF | | Stable reference voltage |
| 5 | GND | | System ground |
| 6 | TB | | Time base for 1. The delay time of receiving PIR singnal to sent a puls to trigger TRIAC or a high signal to trigger relay. The delay time = $R \times C \times 32$. The PIR signal patented and accepted only if the signal cycle greater than $R \times C \times 768$.When state of relay or TRIAC is changing form active into inactive mode. It takes more than $R \times C \times 4069$, then system is able to receive PIR signal again. 2.The flash cycle show the beginning of auto mode. Note: Width of TRIAC pulse = $R \times C \times 2$. Flash cycle: $R \times C \times 32768$ $10\text{ K} < R < 1\text{M Ohm}$ $100\text{pF} < C < 0.1\text{ Uf}$ (Reference Diagram 1) |
| 7 | QTEST | | For testing only |

| | | | |
|----|-------|--|---|
| 8 | TCI | | To set up the timing of how long Triac or relay is active. During the period, if the system receives the PIR signal, then it restarts counting the timing again. The range for R: $10K < R < 1M \text{ Ohm}$ C: $100\mu F < C < 0.1 \mu F$ (Reference Diagram 2) |
| 9 | CDS | | Connected to a CDS for inhibiting relay or TRIAC being triggered. If TRIAC or relay has already being triggered by PIR signal and turned into active mode, then CDS can not inhibit PIR again. |
| 10 | TRIAC | | To trigger TRIAC, active low Sink current: 15 mA max. |
| 11 | RELAY | | To drive relay, active high Sink current: 10 mA max. Source current: 10 mA max. |
| 12 | ZCD | | Detect zero cross of AC line under remote mode function. |
| 13 | VDD | | Operation voltage: 5V, stand by current: 1mA |
| 14 | I12 | | 2 nd stage OP amp negative input |
| 15 | NI12 | | 2 nd stage OP amp positive input |
| 16 | UOU2 | | 2 nd stage OP amp output |

DIAGRAM 1, 2





Absolute Maximum Ratings

| Parameter | SYMBOL | VALUE | Units |
|-------------------------------------|---------|----------|-------|
| POWER SUPPLY Vdd WITH REPECT TO Vss | Vdd-Vss | 5.6 | V |
| VOLTAGE ON ANY PIN | | -0.3-5.6 | V |
| OPERATING TEMPERATURE | Top | 0-70 | C |
| STORAGE TEMPERATURE | | -65-150 | C |

ELECTRICAL CHARACTERISTICS

| Symbol | Parameter | Condition | Min. | Typ. | Max. | Unit |
|----------|-------------------------------------|---|------|------|-------|------|
| Vdd | SUPPLY VOLTAGE | | 4.2 | 5 | 5.5 | V |
| Ist | STANDY CURRENT | | 0.9 | 1.0 | 1.2 | mA |
| Idd | OPERATING CURRENT | 1.8mA, TRIAC 2.5mA, RELAY | 1.8 | | 2.5 | mA |
| Vref | STABLE VOLTAGE | Vdd>4.2V | 3.0 | 3.2 | 3.4 | V |
| Iref | SOURCE CURRENT OF Vref | | 200 | | | uA |
| | RIPPLE OF Vref | | | | 0.5 | mV |
| | INPUT AND OUTPUT REGULATION OF Vref | | | | 0.3% | |
| Ftb | TIME BASE OPERATING FREQUENCY | | 15 | 16 | 17 | KHZ |
| Vt+ | CDS OPERATING TRIGGER | | 1.3 | 1.7 | 2.1 | V |
| Vt- | CDS OPREATING TRIGGER | | 0.6 | 0.9 | 1.1 | V |
| Icds | CDS SOURCE CURRENT | | 2.6 | 3.5 | 4.4 | uA |
| Isource | CDS OUTPUT SOURCE CURRENT | | 9 | 10.4 | 17.4 | mA |
| Isink | CDS OUTPUT SINK CURRENT | | 11.6 | 13 | 21 | mA |
| Tout1 | TIMER DURATION OF OUT 1 | C=0.001uF R=4.7K-1M C=0.01uF R=4.7K-1M C=100uF R=4.7K-1M C=0.1uF R=4.7K-1M | 0.03 | | 9.3 | Sec. |
| | | | 4.6 | | 1290 | |
| | | | 0.08 | | 14.9 | |
| | | | 37.8 | | 11170 | |
| Irs | RELAY SOURCE CURRENT | | | | 5 | mA |
| Irsink | RELAY SINK CURRENT | | | | 5 | mA |
| Vro | RELAY OPERATING VOLTAGE | 18.8V: RELAY ON 13.1V: RELAY OFF | 13.1 | | 18.8 | V |
| Itsink | TRIAC SINK CURRENT | | | | 15 | mA |
| Itsource | TRIAC SOURCE CURRENT | | | | 50 | uA |



WT8072

PIR CONTROLLER

TYPICAL APPLICATION

HOME SECURITY SYSTEM.

AUTO LIGHT SYSTEM FOR GARDEN, GARAGE, HALLWAY, STAIRCASE, PORCH, BATHROOM, AND ETC.

AUTO SWITCH FOR VENTILATION FAN.

AUTO NOTICE SYSTEM FOR OFFICE, STORAGE, AND ETC.

ORDERING INFORMATION

| Ordering Number | Package Type |
|-----------------|--------------|
| WT8072 | P-DIP 16L |
| WT8072H | CHIP FORM |



WT8072

PIR CONTROLLER
