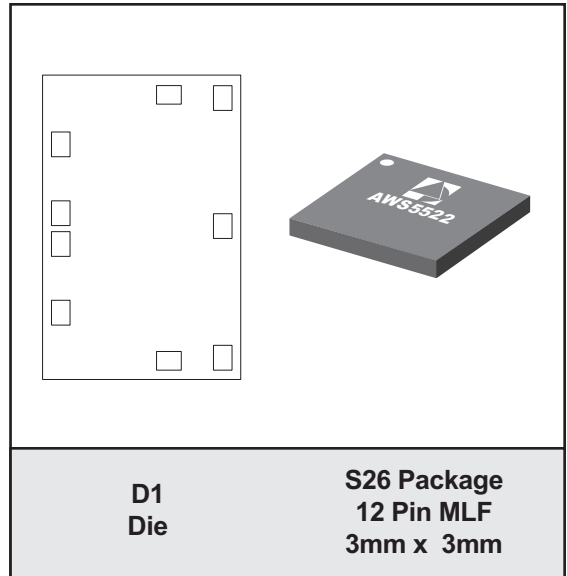


## FEATURES

- Low Insertion Loss: 0.5 dB at 2 GHz
- High Isolation: > 25 dB
- Low Harmonic Levels: < -65 dBc
- Low Control Voltage Operation: to +2.5 V
- Low Profile Surface Mount Package

## APPLICATIONS

- GSM Wireless Handsets and Front-end Modules
- CDMA Wireless Handsets and Front-end Modules



## PRODUCT DESCRIPTION

The AWS5522 is a single pole, double throw (SPDT) RF switch developed to meet the stringent requirements of GSM and CDMA systems. Manufactured in ANADIGICS's state-of-the-art pHEMT process, the device uses patent-pending

circuit topologies to provide the low insertion loss, high port-to-port isolation and high linearity needed to enhance the performance of wireless handset radios. The AWS5522 is offered both as an MMIC die and in a 12-lead 3mm x 3mm MLF package.

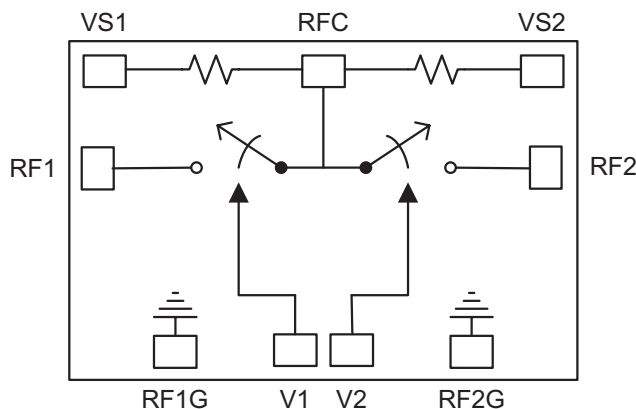
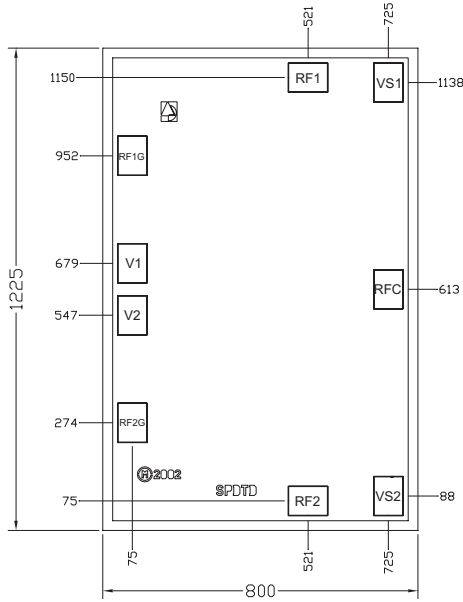


Figure 1: Block Diagram



Dimensions in  $\mu\text{m}$ .  
 Bond Pads:  $100\mu\text{m} \times 75\mu\text{m}$   
 Die Thickness:  $178\mu\text{m}$   
 No backside metal.

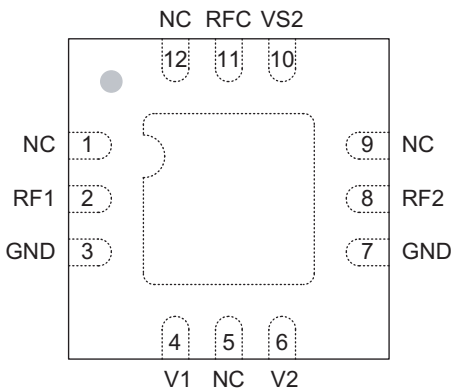
**Figure 2 : Die Configuration**

**Table 1 : Pad Description**

NAME	DESCRIPTION
VS1	Common port bias voltage (logic high)
RF1	RF port, path 1
RF1G	Ground
V1	Control voltage, RF path 1
V2	Control voltage, RF path 2
RF2G	Ground
RF2	RF port, path 2
VS2	Common port bias voltage (logic high)
RFC	RF common port

**Table 2: Pin Description**

PIN	NAME	DESCRIPTION
2	RF1	RF port, path 1
4	V1	Control voltage, RF path 1
6	V2	Control voltage, RF path 2
8	RF2	RF port, path 2
10	VS2	Common port bias Voltage (logic high)
11	RFC	RF common port
3, 7	GND	Ground
1, 5, 9, 12	NC	No connection



**Figure 3: Packaged Device Pinout (X-ray Top View)**

## ELECTRICAL CHARACTERISTICS

Table 3: Absolute Minimum and Maximum Ratings

PARAMETER	MIN	MAX	UNIT	COMMENTS
Common Port Bias Voltage ( $V_S$ )	-0.2	+8.0	V	at VS1 or VS2 <sup>(1)</sup>
Control Voltages ( $V_1$ , $V_2$ )	-0.2	+8.0	V	
RF Input Power ( $P_{IN}$ )	-	10	W	at RF1, RF2 and RFC
Storage Temperature <sup>(2)</sup>	-65	+150	°C	

Stresses in excess of the absolute ratings may cause permanent damage. Functional operation is not implied under these conditions. Exposure to absolute ratings for extended periods of time may adversely affect reliability.

Notes:

(1) The VS1 and VS2 ports may remain open-circuited without damage to the device.

(2) Storage Temperature limits apply to the die only after it has been removed from the ANADIGICS shipping material. (The limits apply at all times for the packaged device.)

3. The RF1, RF2 and RFC ports should be AC-coupled. No external DC bias should be applied.

Table 4: Operating Ranges

PARAMETER	MIN	TYP	MAX	UNIT	COMMENTS
RF Frequency (f)	0.5	-	2.5	GHz	
Common Port Bias Voltage ( $V_S$ )		<sup>(1)</sup>			applied at either VS1 or VS2 port
Control Voltages ( $V_1$ , $V_2$ )	0 +2.5	- -	+0.2 +3.5	V	RF path OFF state RF path ON state
Ambient Temperature ( $T_A$ )	-30	-	+85	°C	

The device may be operated safely over these conditions; however, parametric performance is guaranteed only over the conditions defined in the electrical specifications.

Notes:

(1) For optimal linearity performance, the Common Port Bias Voltage ( $V_S$ ) should be set to the same Control Voltage used to turn ON either of the individual RF paths. The VS1 and VS2 ports may remain open-circuited without damage to the device, but with some degradation in linearity.

**Table 5: Electrical Specifications - Unpackaged Die**  
 ( $T_A = +25\text{ }^\circ\text{C}$ ; RF ports terminated with  $50\ \Omega$ ;  $V_n = +2.7\ \text{V}$  and is the Control Voltage for the ON path, RFC-RFn;  $V_x = 0\ \text{V}$  and is the Control Voltage for the OFF path, RFC-RFx)

PARAMETER	MIN	TYP	MAX	UNIT	COMMENTS
Insertion Loss 1 GHz 2 GHz	- - -	0.4 0.5	0.6 0.8	dB	RFC port to selected RFn port
Return Loss <sup>(1)</sup> 1 GHz 2 GHz	- - -	-30 -32	-20 -20	dB	RFC port and selected RFn port
Isolation 1 GHz 2 GHz	25 25	27 27	- -	dB	RFC port to isolated RFX port
Input Third Order Intercept <sup>(2)</sup> 800 MHz Cellular Band 1900 MHz PCS Band	- -	+60 +59	- -	dBm	RFC port to selected RFn port
2nd Harmonic Rejection <sup>(3)</sup> 1 GHz 2 GHz	- -	-79 -78	-65 -65	dBc	$P_{IN} = +34\ \text{dBm}$ $P_{IN} = +32\ \text{dBm}$
3rd Harmonic Rejection <sup>(3)</sup> 1 GHz 2 GHz	- -	-88 -81	-65 -65	dBc	$P_{IN} = +34\ \text{dBm}$ $P_{IN} = +32\ \text{dBm}$
Current Consumption	- -	- -	30 5	$\mu\text{A}$ $\mu\text{A}$	each $V_n$ port VS1 or VS2 port

## Notes:

(1) The isolated RFX port has a return loss of approximately -3 dB.

(2) For the Cellular Band, two tones with  $P_{IN} = +22.5\ \text{dBm}$  each, at 900.0 and 900.1 MHz. For the PCS Band, two tones with  $P_{IN} = +21\ \text{dBm}$  each, at 1900.0 and 1900.1 MHz.

(3)  $V_s = V_n$

**Table 6: Switch Control Truth Table**

CONTROL VOLTAGES		RF PATH SELECTION	
$V_1$	$V_2$	RFC - RF1	RFC - RF2
+2.5 to +3.5 V	0 to +0.2 V	ON	OFF
0 to +0.2 V	+2.5 to +3.5V	OFF	ON

**Table 7: Electrical Specifications - Packaged Device**  
 ( $T_A = +25\text{ }^\circ\text{C}$ ; RF ports terminated with  $50\ \Omega$ ;  $V_n = +2.7\ \text{V}$  and is the Control Voltage for the ON path, RFC-RFn;  $V_x = 0\ \text{V}$  and is the Control Voltage for the OFF path, RFC-RFx)

PARAMETER	MIN	TYP	MAX	UNIT	COMMENTS
Insertion Loss 1 GHz 2 GHz	- -	0.4 0.5	-0.6 -0.8	dB	RFC port to selected RFn port
Return Loss <sup>(1)</sup> 1 GHz 2 GHz	- -	-28 -33	-20 -20	dB	RFC port and selected RFn port
Isolation 1 GHz 2 GHz	25 25	27 27	- -	dB	RFC port to isolated RFx port
Input Third Order Intercept <sup>(2)</sup> 800 MHz Cellular Band 1900 MHz PCS Band	- -	+60 +59	- -	dBm	RFC port to selected RFn port
2nd Harmonic Rejection <sup>(3)</sup> 1 GHz 2 GHz	- -	-75 -76	-65 -65	dBc	$P_{IN} = +34\ \text{dBm}$ $P_{IN} = +32\ \text{dBm}$
3rd Harmonic Rejection <sup>(3)</sup> 1 GHz 2 GHz	- -	-70 -74	-65 -65	dBc	$P_{IN} = +34\ \text{dBm}$ $P_{IN} = +32\ \text{dBm}$
Current Consumption	- -	- -	30 5	$\mu\text{A}$ $\mu\text{A}$	each $V_n$ port VS2 port

Notes:

(1) The isolated RFx port has a return loss of approximately -3 dB.

(2) For the Cellular Band, two tones with  $P_{IN} = +22.5\ \text{dBm}$  each, at 900.0 and 900.1 MHz. For the PCS Band, two tones with  $P_{IN} = +21\ \text{dBm}$  each, at 1900.0 and 1900.1 MHz.

(3)  $V_s = V_n$

PERFORMANCE DATA

Figure 4: Insertion Loss vs. Frequency  
Unpackaged Die  
(ON path,  $V_n = +2.7\text{ V}$ ,  $V_x = 0\text{ V}$ )

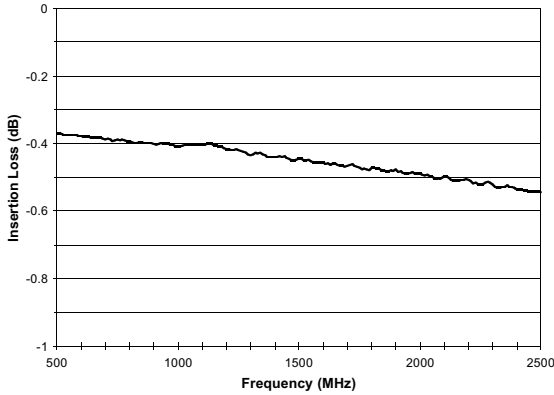


Figure 5: Insertion Loss vs. Frequency  
Packaged Device  
(ON path,  $V_n = +2.7\text{ V}$ ,  $V_x = 0\text{ V}$ )

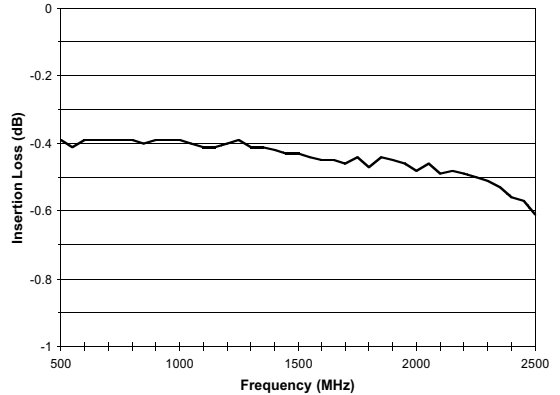


Figure 6: Return Loss vs. Frequency  
Unpackaged Die  
(ON path,  $V_n = +2.7\text{ V}$ ,  $V_x = 0\text{ V}$ )

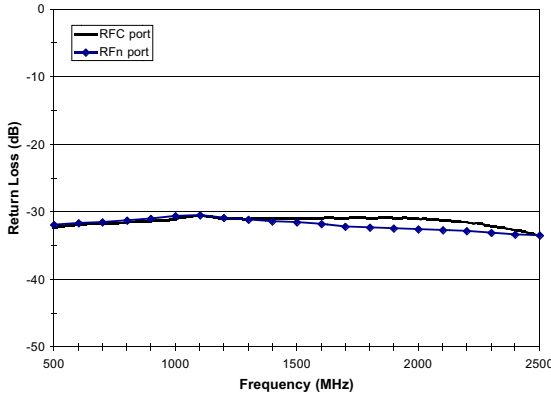


Figure 7: Return Loss vs. Frequency  
Packaged Device  
(ON path,  $V_n = +2.7\text{ V}$ ,  $V_x = 0\text{ V}$ )

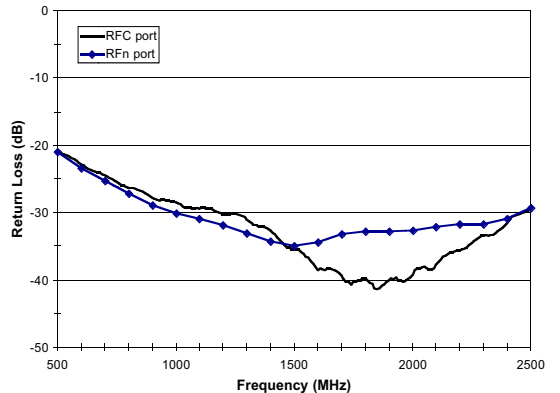


Figure 8: Isolation vs. Frequency  
Unpackaged Die  
(OFF path,  $V_n = +2.7\text{ V}$ ,  $V_x = 0\text{ V}$ )

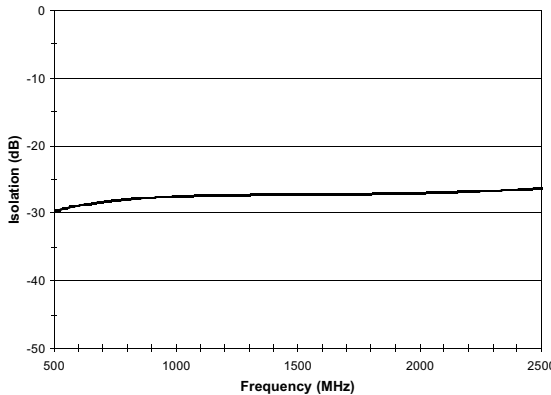
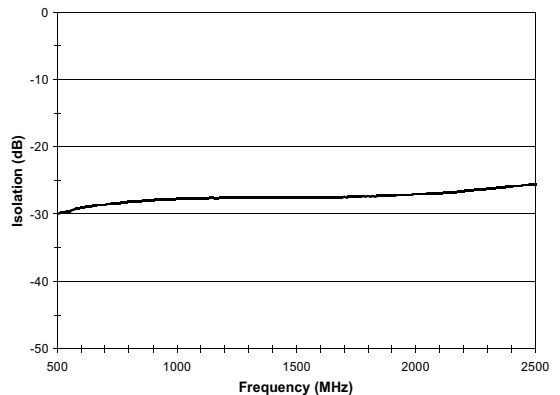
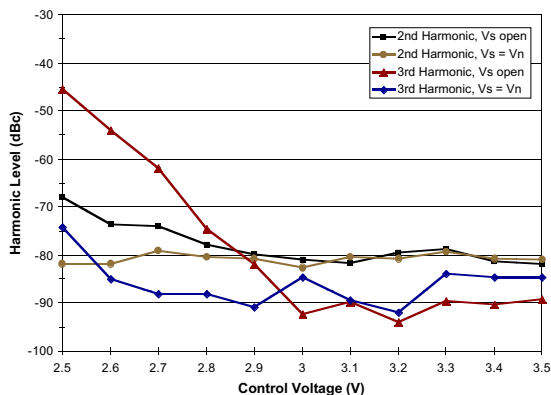


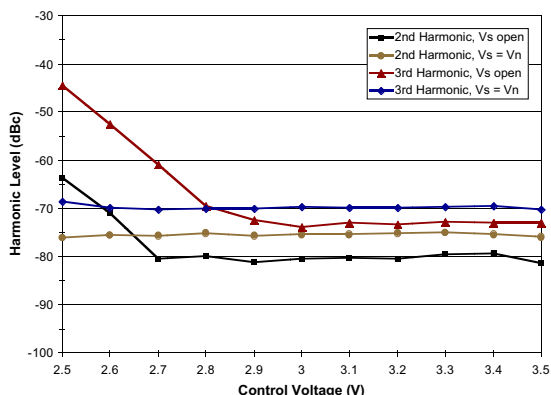
Figure 9: Isolation vs. Frequency  
Packaged Device  
(OFF path,  $V_n = +2.7\text{ V}$ ,  $V_x = 0\text{ V}$ )



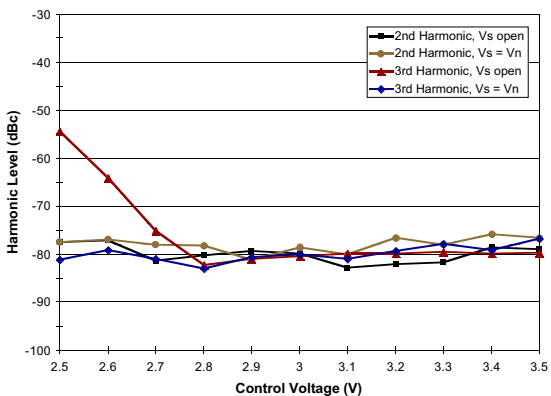
**Figure 10:**  
**Harmonics of 1 GHz vs. Control Voltage**  
**Unpackaged Die**  
**(ON path,  $V_x = 0$  V,  $f = 1$  GHz,  $P_{IN} = +34$  dBm)**



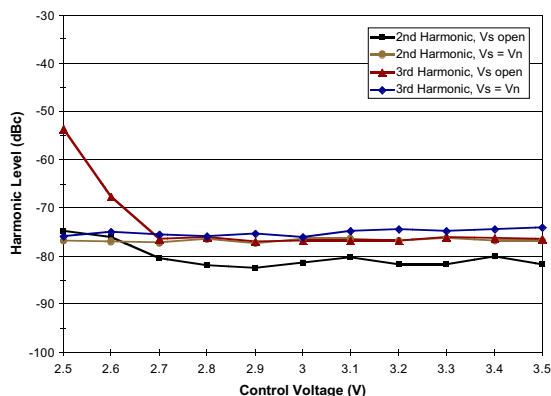
**Figure 11:**  
**Harmonics of 1 GHz vs. Control Voltage**  
**Packaged Device**  
**(ON path,  $V_x = 0$  V,  $f = 1$  GHz,  $P_{IN} = +34$  dBm)**



**Figure 12:**  
**Harmonics of 2 GHz vs. Control Voltage**  
**Unpackaged Die**  
**(ON path,  $V_x = 0$  V,  $f = 2$  GHz,  $P_{IN} = +32$  dBm)**



**Figure 13:**  
**Harmonics of 2 GHz vs. Control Voltage**  
**Packaged Device**  
**(ON path,  $V_x = 0$  V,  $f = 2$  GHz,  $P_{IN} = +32$  dBm)**



**APPLICATION INFORMATION**

**Unpackaged Die Applications**

Bonding and circuit connections for the unpackaged AWS5522 die are shown in Figure 14, and application details are listed in the following notes:

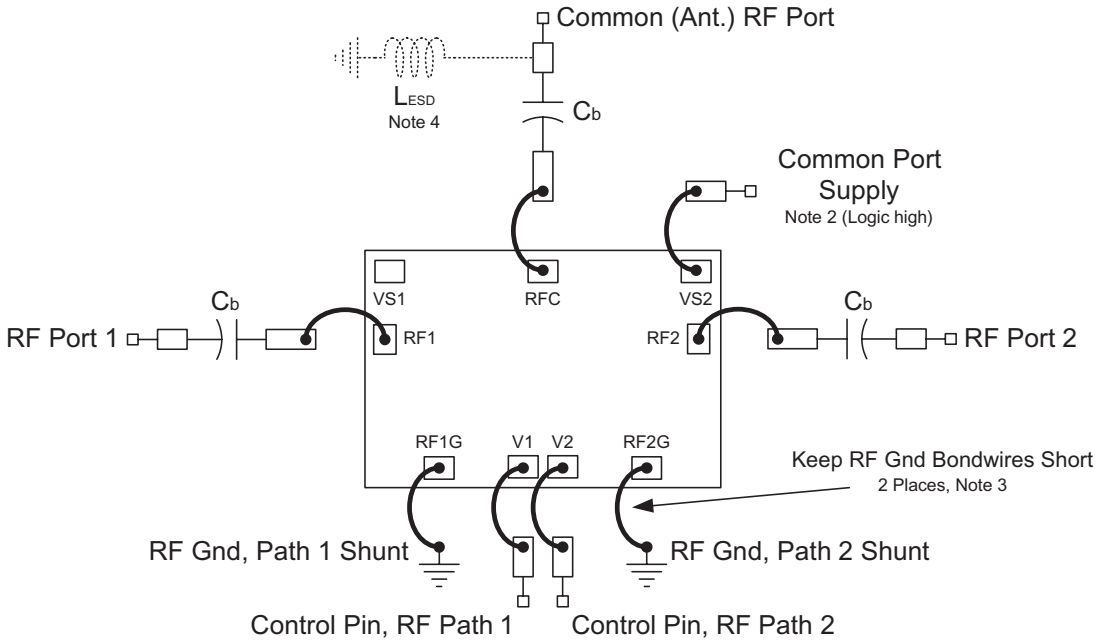
1. C<sub>b</sub> are DC blocking capacitors external to the device. A value of 100pF is sufficient for operation to 500MHz. The values may be tailored to provide specific electrical responses. The isolation of the switch provides enough decoupling of the RF1 and RF2 ports so that overall switch performance is not affected.

2. The VS1 and VS2 pins provides a fixed voltage potential to the common port of the switch. To get the best linear performance, either VS1 or VS2 should be tied to the logic high voltage potential (not the power supply). Only one of these pins need be attached, with the decision determined by external circuit layout. Current draw on this pin is less than 5μA.

3. The RF Ground bondwires should be kept as short as possible and bonded directly to a good RF ground for best broadband performance.

4. L<sub>ESD</sub> provides a means to increase the ESD protection on a specific RF port, typically the port attached to the antenna. The ESD rating of the device is ±125V HBM overall. This rating is associated with the control pin to RF port path. RF port to RF port/RF Gnd has been determined to be >±500V HBM for this technology. By using L<sub>ESD</sub> as an RF choke on a port, an ESD protection to ±8kV contact discharge can be achieved.

5. The die may be attached by either conductive or non-conductive epoxy formulated for attaching semiconductor parts. The back of the die is electrically isolated from the switch circuit and can be grounded or left isolated.



**Figure 14: Unpackaged Die Application Schematic**



## Packaged Device Applications

External component requirements for the packaged AWS5522 device are shown in Figure 15, and application details are listed in the following notes:

1.  $C_b$  are DC blocking capacitors external to the device. A value of 100pF is sufficient for operation to 500MHz. The values may be tailored to provide specific electrical responses. The isolation of the switch provides enough decoupling of the RF1 and RF2 ports so that overall switch performance is not affected.

2. The VS2 pin provides a fixed voltage potential to the common port of the switch. To get the best linear performance, VS2 should be tied to the logic high voltage potential (not the power supply). Current draw on this pin is less than 5 $\mu$ A.

3. The RF Ground connections should be kept as short as possible and tied directly to a good RF ground for best broadband performance.

4.  $L_{ESD}$  provides a means to increase the ESD protection on a specific RF port, typically the port attached to the antenna. The ESD rating of the device is  $\pm 125V$  HBM overall. This rating is associated with the control pin to RF port path. RF port to RF port/RF Gnd has been determined to be  $> \pm 500V$  HBM for this technology. By using  $L_{ESD}$  as an RF choke on a port, an ESD protection to  $\pm 8kV$  contact discharge can be achieved.

5. The large pad on the bottom of the package should be soldered to ground to assure proper performance of the device.

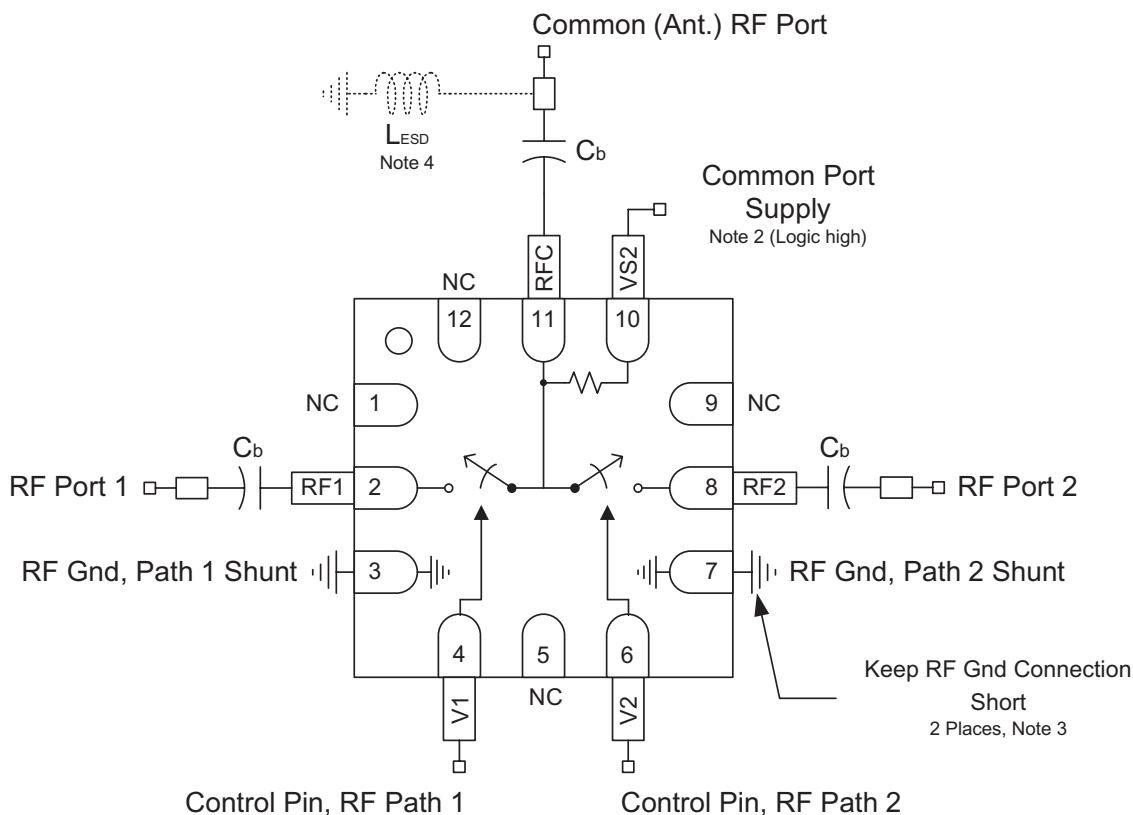
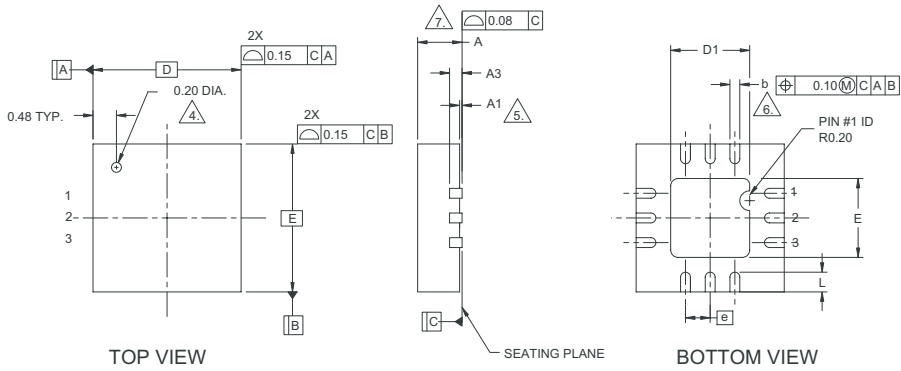


Figure 15: Packaged Device Application Schematic

PACKAGE OUTLINE



NOTES :

1. ALL DIMENSIONS ARE IN MILLIMETERS.
2. MAX. PACKAGE WARPAGE IS 0.05 mm.
3. MAXIMUM ALLOWABLE BURRS IS 0.076 mm IN ALL DIRECTIONS.
- △ A PIN #1 ID ON TOP WILL BE LASER/INK MARKED.
- △ B APPLIED ONLY FOR TERMINALS
- △ C DIMENSION b APPLIES TO METALLIZED TERMINAL AND IS MEASURED BETWEEN 0.20 AND 0.25mm FROM TERMINAL TIP.
- △ D APPLIED FOR EXPOSED PAD AND TERMINALS. EXCLUDE EMBEDDING EXPOSED PART FROM MEASURING.
8. REFERENCE JEDEC OUTLINE MO-220.

S Y M B O L	DIMENSIONS-MM			S Y M B O L	DIMENSIONS-INCHES		
	MIN.	NOM.	MAX.		MIN.	NOM.	MAX.
A	0.80	0.85	1.00	A	0.031	0.033	0.039
A1	0.00	0.01	0.05	A1	0.000	0.0003	0.001
A3	0.20 REF.			A3	0.008		
b	0.18	0.23	0.30	b	0.007	0.009	0.011
D	3.00 BSC			D	0.118 BSC		
D1	1.45	1.60	1.75	D1	0.057	0.063	0.069
E	3.00 BSC			E	0.118 BSC		
E1	1.45	1.60	1.75	E1	0.057	0.063	0.069
Ⓢ	0.50 BSC			Ⓢ	0.019 BSC		
L	0.35	0.40	0.55	L	0.014	0.016	0.022

Figure 16: S26 Package Outline - 12 Pin 3mm x 3mm MLF

NOTES

**ORDERING INFORMATION**

ORDER NUMBER	TEMPERATURE RANGE	PACKAGE DESCRIPTION	COMPONENT PACKAGING
AWS5522D1	-30 °C to +85 °C	Die	(contact ANADIGICS for details)
AWS5522S26	-30 °C to +85 °C	12 Pin 3mm x 3mm MLF	Tape & Reel

**ANADIGICS, Inc.**

141 Mount Bethel Road  
Warren, New Jersey 07059, U.S.A.

Tel: +1 (908) 668-5000

Fax: +1 (908) 668-5132

URL: <http://www.anadigics.com>

E-mail: [Mktg@anadigics.com](mailto:Mktg@anadigics.com)

**IMPORTANT NOTICE**

ANADIGICS, Inc. reserves the right to make changes to its products or to discontinue any product at any time without notice. The product specifications contained in Advanced Product Information sheets and Preliminary Data Sheets are subject to change prior to a product's formal introduction. Information in Data Sheets have been carefully checked and are assumed to be reliable; however, ANADIGICS assumes no responsibilities for inaccuracies. ANADIGICS strongly urges customers to verify that the information they are using is current before placing orders.

**WARNING**

ANADIGICS products are not intended for use in life support appliances, devices or systems. Use of an ANADIGICS product in any such application without written consent is prohibited.