

**SANYO**

No.2915

**LA7811**

Monolithic Linear IC

Color TV Synchronization,  
Deflection Circuit

The LA7811 is an IC containing not only the main functions required for synchronization, deflection of color television sets but also the generator of vertical blanking pulses (open collector output) and burst gate pulses (not sand castle type) and further the AFC time constant selector for VTR. With the horizontal jitter at the time of weak electric field strength minimized and the picture distortion due to brightness variation minimized, this IC for synchronization, deflection functions is aimed at realization of multifunction and high quality picture reproduction.

**Functions**

- Synchronizing separation
- Horizontal AFC
- Burst gate pulse
- Noise (weak electric field strength)
- AFC time constant selection
- Vertical oscillation
- Horizontal oscillation
- Vertical blanking pulse (open collector output)
- Synchronization, asynchronization detection
- Vertical drive
- X-ray protection

**Features**

- Minimized horizontal jitter at the time of weak electric field strength.
- Minimized picture distortion due to brightness variation at the time of strong electric field strength.
- Horizontal, vertical oscillation, being small in warm-up drift, is stable against ambient temperature and supply voltage variations.
- Minimized variations in horizontal oscillation frequency.
- DC bias at the vertical output stage is sampling-controlled within retrace time, thereby enabling improved linearity and interlacing.
- Vertical blanking pulse width can be set independently with external constants.
- Multifunctional and compact (DIP-22)

**Maximum Ratings at Ta = 25°C**

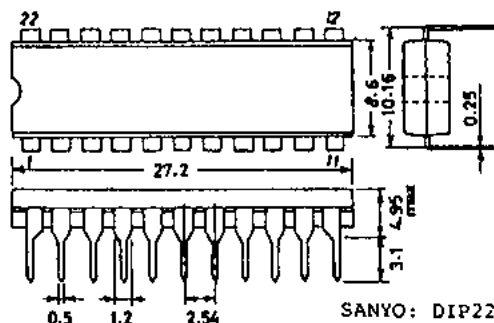
			unit
Maximum Supply Voltage	VCC14	14	V
Maximum Supply Current	ICC4	16	mA
Allowable Power Dissipation	Pd max	720	mW
Operating Temperature	Topp	-20 to +85	°C
Storage Temperature	Tstg	-55 to +125	°C

**Operating Conditions at Ta = 25°C**

			unit
Recommended Supply Voltage	VCC14	12	V
Recommended Supply Current	ICC4	13	mA
Operating Voltage Range	VCC14 op	12 ± 10%	V

**Case Outline 3010A-D22IC**

(unit: mm)



The application circuit diagrams and circuit constants herein are included as an example and provide no guarantee for designing equipment to be mass-produced. The information herein is believed to be accurate and reliable. However, no responsibility is assumed by SANYO for its use, nor for any infringements of patents or other rights of third parties which may result from its use.

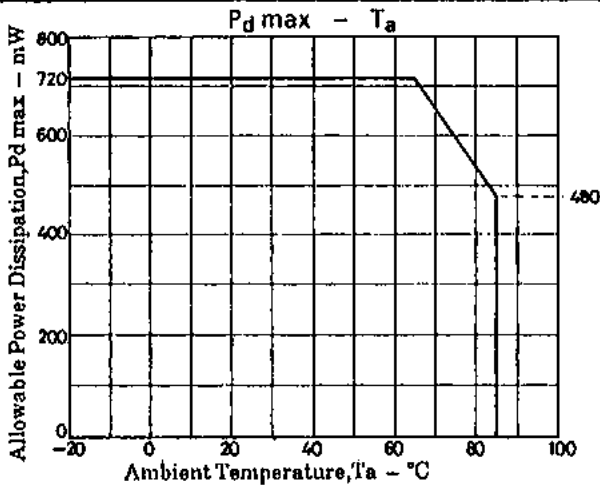
Specifications and information herein are subject to change without notice.

**SANYO Electric Co., Ltd. Semiconductor Overseas Marketing Div.**  
Natsume Bldg., 18-6, 2-chome, Yushima, Bunkyo-ku, TOKYO 113 JAPAN

N168TA.TS No.2915-1/7

LA7811

Operating Characteristics at $T_a = 25^\circ\text{C}$ , $V_{CC14} = 12\text{V}$ , $I_{CC4} = 13\text{mA}$				min	typ	max	unit
$I_{CC14}$ Current Dissipation	$I_{CC14}$		15	20	27		mA
$V_{CC4}$ Supply Voltage	$V_{CC4}$		11.8	12.6	13.2		V
$I_{CC4}$ Current Dissipation	$I_{CC4}$	$V_{CC4} = 11\text{V}$			10.5		mA
Sync Separation Input DC Level	$V_{18}$	Resistor $R_{18} = 15\text{k}\Omega$	9.0	9.3	9.6		V
Sync Signal Peak Value	$V_{15}$		10	10.8			V
Burst Gate Pulse Peak Value	$V_{BGP}$		10	10.8			V
Burst Gate Pulse Leading Edge Delay Time	$T_{BR}$			0.25	0.5		$\mu\text{sec}$
Burst Gate Pulse Trailing Edge Delay Time	$T_{BF}$		3.2	3.5	3.8		$\mu\text{sec}$
Vertical Blanking Pulse Saturation Voltage	$V_{BLS}$	Load current $I_{22} = 1\text{mA}$			1.5		V
Vertical Blanking Threshold Level	$V_{VBS}$		5.0	5.35	5.7		V
Midpoint Control Threshold Level	$V_{CES}$		3.8	4.1	4.4		V
Vertical Driver Amplification Factor	$G_{VD}$		4.0	6.0	7.0		times
Vertical Free-running Frequency	$f_{VOSC}$	$f_{VOSC}$ center $\approx 55\text{Hz}$	50		60		Hz
Vertical Oscillation	$f_{VP}$	Vertical sync signal $f = 60\text{Hz}$	11	12	13		Hz
Supply Voltage Dependence of Vertical Oscillation Frequency	$f_{VD}$	55Hz at $V_{CC14} = 12\text{V}$ , $V_{CC14} = 12 \pm 1\text{V}$	-0.5		0.5		Hz
Vertical Oscillation Start Voltage	$V_{VOSC}$				4		V
Temperature Characteristic of Vertical Oscillation Frequency	$f_{VT}$	$T_a = -10$ to $+60^\circ\text{C}$	-0.028		+0.028		$\text{Hz}/^\circ\text{C}$
Horizontal Free-running Frequency	$f_{HOSC}$	$f_{HOSC}$ center $\approx 15.734\text{kHz}$	14.984		16.484		kHz
Supply Voltage Dependence of Horizontal Oscillation Frequency	$f_{HD}$	$V_{CC4}$ to $V_{CC4} \times 0.9$	-50		50		Hz
Horizontal Oscillation Start Voltage	$V_{HOSC}$				4		V
Temperature Characteristic of Horizontal Oscillation Frequency	$f_{HT}$	$T_a = -10$ to $+60^\circ\text{C}$	-3.4		+3.4		$\text{Hz}/^\circ\text{C}$
Horizontal Oscillation Frequency Warm-up Drift	$f_{HWD}$	5sec to 30min after switch ON	-70		70		Hz
Horizontal Output Pulse Width	$P_{WH}$	$f_{HOSC} = 15.734\text{kHz}$	21.5	24.5	26.5		$\mu\text{s}$
Horizontal Output Drive Current	$I_{OH}$		4.6	6.0	7.2		mA
Horizontal AFC Control Output Current I	$I_{AFC I}$		$\pm 380$	$\pm 560$	$\pm 780$		$\mu\text{A}$
Horizontal AFC Control Output Current II	$I_{AFC II}$		$\pm 1.4$	$\pm 2.4$	$\pm 3.4$		mA
Horizontal AFC Limiter Voltage (Upper)	$V_{AFCLH}$	$I_3 = 1\text{mA}$	7.9		8.6		V
Horizontal AFC Limiter Voltage (Lower)	$V_{AFCLL}$	$I_3 = 1\text{mA}$	4.6		5.3		V
Hold-down Operating Voltage	$V_{HDOP}$		0.6		0.9		V
Hold-down Nonreset Voltage	$V_{HDUR}$		7				V
Synchronization - Asynchronization Detection Output Current	$I_{sas}$		0.8	1.1	1.6		mA
Synchronization - Asynchronization Detection Threshold Level	$V_{sas}$		4	4.4	4.8		V
Weak Field Detection Output Voltage	$V_{WF}$	$f = 1\text{MHz}$ , $150\text{mV}$	0.5	0.85	1.4		V
Horizontal AFC Time Constant Select Current I	$I_{SE I}$	$V_{21} = 1\text{V}$ , $V_{22} = 1\text{V}$	0.1				mA
Horizontal AFC Time Constant Select Current II	$I_{SE II}$	$V_{22} = 1\text{V}$	0.3				mA



**Functions and Features**

The LA7811 is made more complete in functions and improved in characteristics with new functions provided in addition to the basic functions (sync separator, vertical oscillator, horizontal oscillator, AFC, X-ray protector) required for a synchronization and deflection IC. The new functions are described below. We have the LA7800 that is similar to the LA7811 but contains only the basic functions.

1. Functions to reduce horizontal jitter when in weak electric fields; functions to reduce image distortions when in strong electric fields

When white noise in video signal increases, horizontal jitter is generated. To reduce horizontal jitter, it is not enough to further integrate effects of the AFC filter. Image distortions, caused by brightness variation when in a strong electric field, will be amplified. Accordingly the AFC time constant has been selected as a trade-off between horizontal jitter and image distortions.

White noise detected in video signals by a noise detection circuit and the AFC time constant are controlled by a voltage proportional to the noise. This permits operations with optimum AFC time constants in both weak and strong electric fields.

The LA7811 also has a horizontal synchronization/asynchronization detection circuit. It reduces asynchronized integrating effects of AFC. This provides faster responses for synchronous pull-in. This synchronization/asynchronization detection circuit output can also be utilized as a muting control signal.

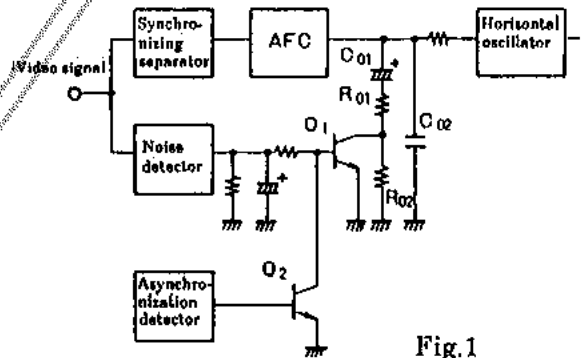


Fig.1

**1-1 Noise Detection Circuit**

The purpose of the noise detection circuit is to detect noises existing in the synchronizing signal sector of video signals, generate a DC voltage proportional in magnitude to them, control with the voltage an AFC time constant selector, and reduce horizontal jitter when in weak electric fields.

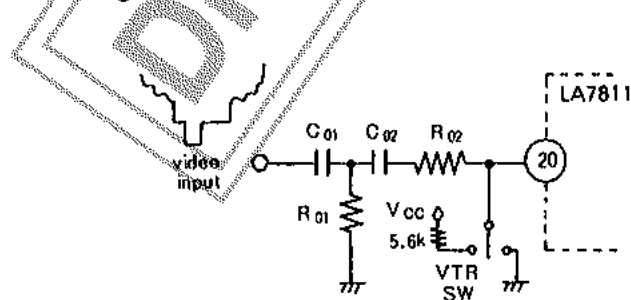


Fig.2

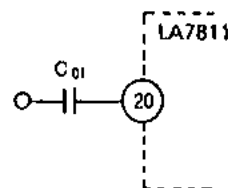


Fig.3

Continued on next page.

Continued from preceding page.

In Fig.2,  $C_{01}$  and  $R_{01}$  constitute a high-pass filter (differentiating circuit). High-frequency range noises in video signals are applied to pin 20. The magnitude of noises applied to pin 20 is varied by varying the  $C_{01}$  capacitance. The field strength for when the AFC time constant selector starts operating can be designated there.

Generally, when using a VTR, it is not considered preferable to lower the AFC control sensitivity even for noisy video signals (images). For this reason, the LA7811 is arranged so that locking the AFC time constant selector to a strong electric field mode is feasible by connecting pin 20 to  $V_{CC}$  through a resistor of  $5.6k\Omega$  or to ground directly.

$C_{02}$  in Fig.2 is a DC blocking capacitor.  $R_{02}$  prevents excessively low input impedances, if pin 20 is connected to  $V_{CC}$  or ground when using a VTR.

A major feature of AFC in LA7811 is a capability to select the AFC output time constant circuits individually and independently for strong and weak electric fields. When used with VTR, it is possible to omit the VTR switch shown in Fig.2, if weak field picture images are rare. In this case, pin 20 is required only for  $C_{01}$  as shown in Fig.3. The value of  $C_{01}$  should optimally be about  $10pF$ .

### 1-2 Synchronization/Asynchronization Detection Circuit

The synchronization/asynchronization detection circuit judges if horizontal oscillation is in a synchro-nized or an asynchronized mode. Its output controls the AFC output current, AFC time constant selector and noise detection circuit. Synchronization/asynchronization detection is performed by comparing phases of synchronizing and flyback pulses (slightly phase corrected). When the phases coincide with each other, a current flows into resistor  $R$  and capacitor  $C$  that are externally connected to pin 19, raising pin 19 potential. Then, when the potential exceeds the comparator threshold level ( $4.4V$ ), it is considered to be in synchronization. Pin 19 potential remains below the comparator threshold level in asynchronized mode. The value of resistor  $R$  is selected to provide levels above threshold ( $4.4V$ ) when in weak-field mode, and levels below the threshold ( $4.4V$ ) in an asynchronized mode. The value of capacitor  $C$  should be determined considering ripple magnitude at pin 19 and response speeds.

### 1-3 AFC Time Constant Selector

Fig.4 shows the time constant selector. Operation varies, depending on the electric field, the resistance  $R_0$  of the circuit ( $C_0$  and  $R_0$ ) connected to the AFC output shown in Fig.5. The smaller the resistance of  $R_0$  is, the larger the flattening (integrating) effects of the AFC output current and the smaller the noise-induced jitter will be. On the other hand, the larger the resistance of  $R_0$  is, the smaller image distortions by brightness variation will be.

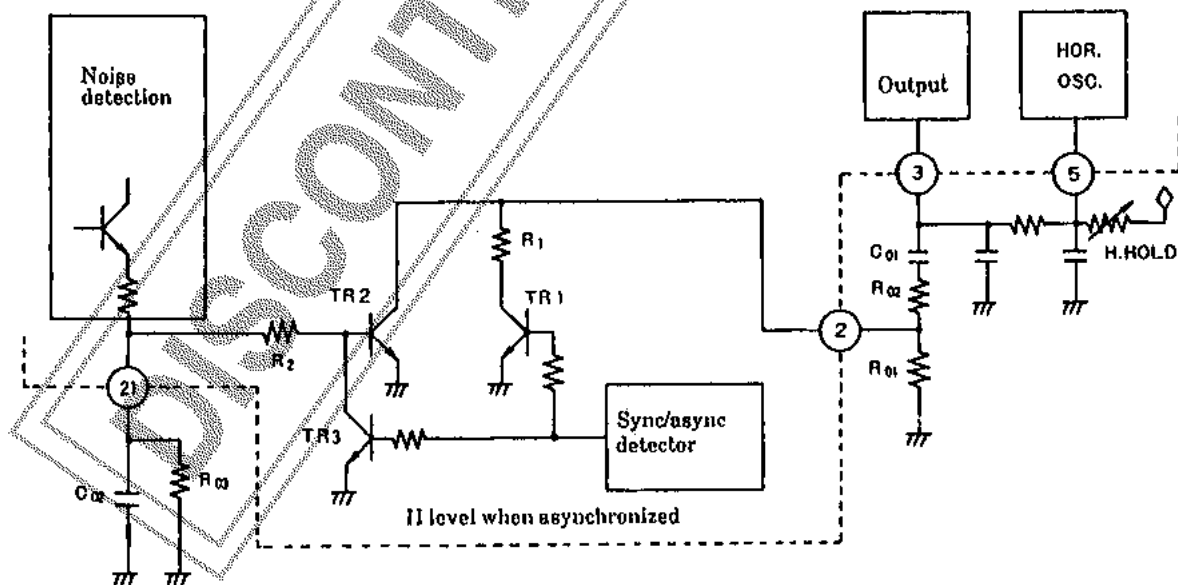


Fig.4 Time Constant - Selecting Circuit

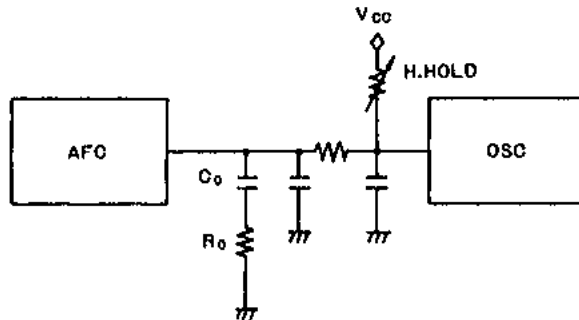


Fig.5 Fundamental Circuit

In transition from asynchronized mode to synchronized mode, the larger the resistance  $R_0$  in Fig.5 and additionally the larger the AFC output current, the faster pull-in speeds will be. For this reason, TR3 is turned on to increase the resistance value that corresponds to resistor  $R_0$ , when LA7811 is in asynchronized mode. At the same time, the AFC current is made to be 4.3 times the normal value. Resistor  $R_1$  prevents over-shifting of the horizontal oscillation frequency by pulse noises in asynchronized mode in weak electric fields. Fig.6 shows a table summarizing this operation.

	Electric Field	AFC Control Current	TR1	TR2	TR3	$I_R$
Synchronized mode	Strong	100%	OFF	OFF	OFF	$R_{02} + R_{01}$
	Weak	100%	OFF	ON	OFF	Saturation resistance of $R_{02} + TR2$
Asynchronized mode	Every field	430%	ON	OFF	ON	$R_{02} + \frac{1}{\frac{1}{R_{01}} + \frac{1}{R_1}}$

Fig.6

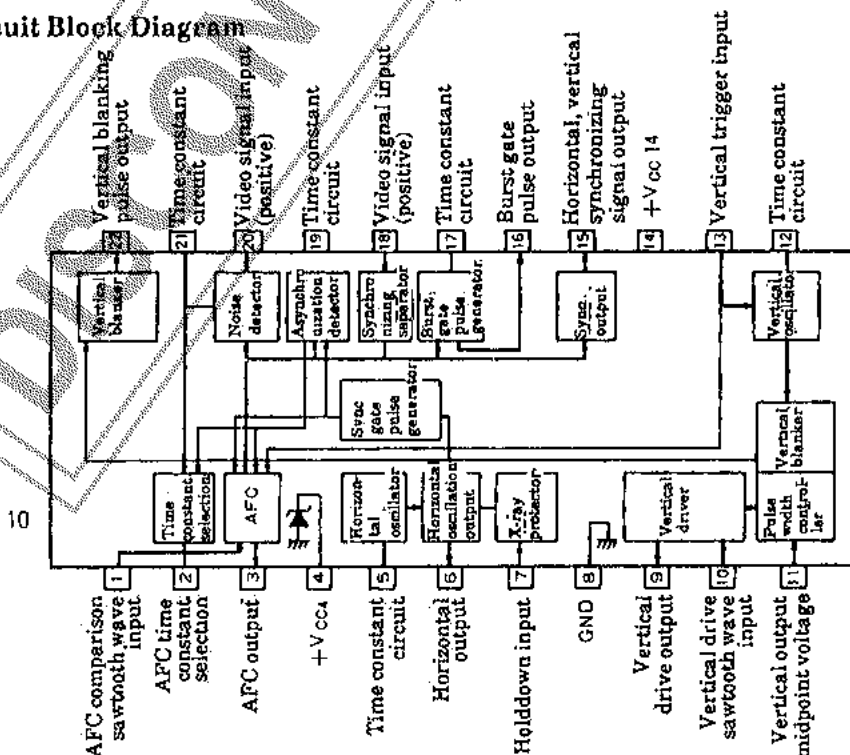
2. Vertical Oscillation

Any capacitors ranging from  $0.1\mu F$  film to  $1\mu F$  tantalum electrolytic capacitors can be used for the oscillating capacitor connected to pin 12.

3. Vertical Driver

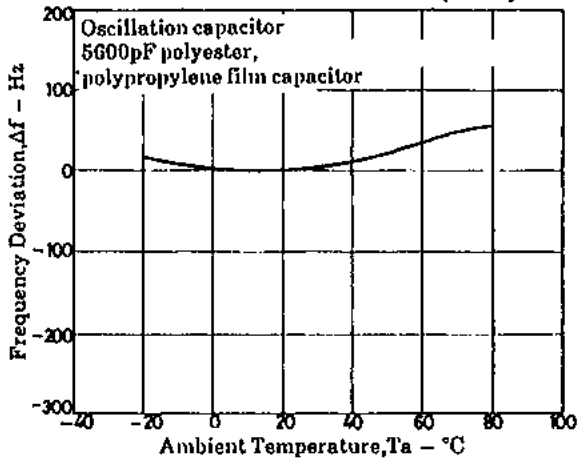
Capacitors, which can be used for the sawtooth wave generating capacitors connected to pin 10, range from  $0.33\mu F$  film to  $2.2\mu F$  tantalum electrolytic capacitors.

Equivalent Circuit Block Diagram

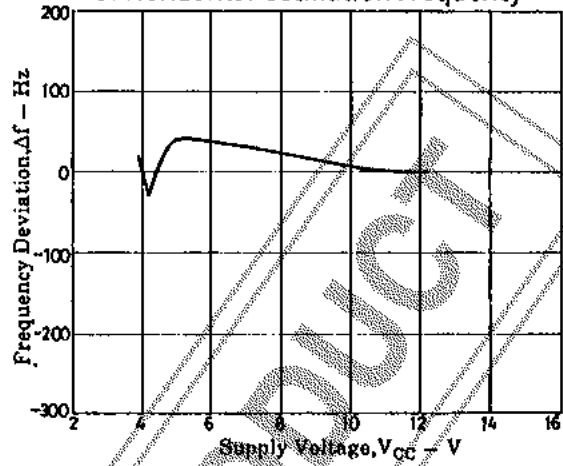




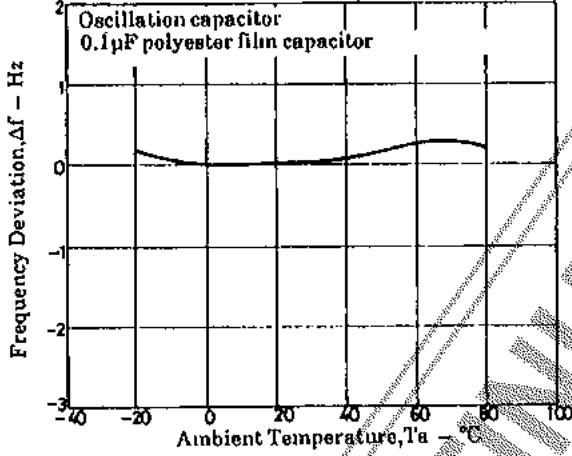
Temperature Characteristic of Horizontal Oscillation Frequency



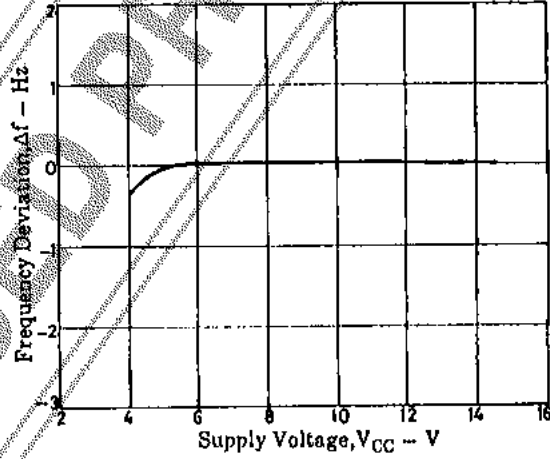
Supply Voltage Characteristic of Horizontal Oscillation Frequency



Temperature Characteristic of Vertical Oscillation Frequency



Supply Voltage Characteristic of Vertical Oscillation Frequency



DISCONTINUED PRODUCT