

FEATURES

- Pin-to-Pin Compatible with National DS34C87
- Low Power CMOS Design
- Three-State Outputs with Enable Pin
- Meets the EIA RS-422 Requirements
- Low Propagation Delays
- High Speed

GENERAL DESCRIPTION

The ST34C87 is a CMOS quad differential line driver designed to meet the standard RS-422 requirements and digital data transmission over balanced lines. To improve noise margin and output stability for slow changing input signals, special hysteresis is built in the ST34C87 circuit.

The ST34C87 is a high speed CMOS line driver designed to operate with MFM / RLL controllers and hard disk drives as well as RS-422 digital data transmission applications. ST34C87 is suitable for low power 5V operation with high input voltage protection devices.

ORDERING INFORMATION

Part No.	Package	Operating Temperature Range
ST34C87CP16	16 Lead 300 Mil PDIP	0°C to +70°C
ST34C87CF16	16 Lead 150 Mil JEDEC SOIC	0°C to +70°C
ST34C87IP16	16 Lead 300 Mil PDIP	-40°C to +85°C
ST34C87IF16	16 Lead 150 Mil JEDEC SOIC	-40°C to +85°C

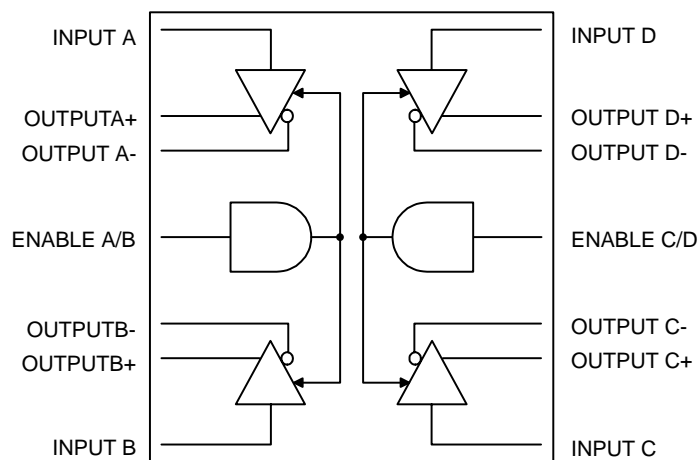
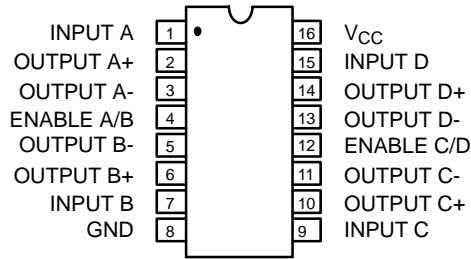
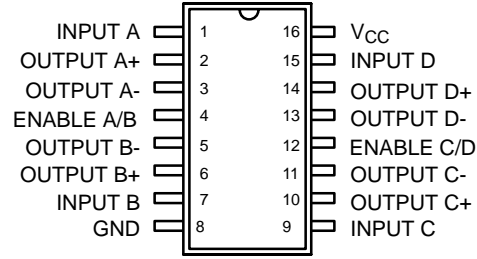


Figure 1. Block Diagram

PIN CONFIGURATION



16 Lead PDIP (0.300")



16 Lead SOIC (Jedec, 0.150")

PIN DESCRIPTION

Pin #	Symbol	Type	Description
1	INPUT A	I	Driver A input pin.
2	OUTPUT A+	O	Driver A differential non-inverting output pin.
3	OUTPUT A-	O	Driver A differential inverting output pin.
4	ENABLE A/B	I	Gate control (active high). This pin is one of the two control pins which enables or disables all four drivers. All four drivers are gated with two input or gate.
5	OUTPUT B-	O	Driver B differential inverting output pin.
6	OUTPUT B+	O	Driver B differential non-inverting output pin.
7	INPUT B	I	Driver B input pin.
8	GND	O	Signal and power ground.
9	INPUT C	I	Driver C input pin.
10	OUTPUT C+	O	Driver C differential non-inverting output pin.
11	OUTPUT C-	O	Driver C differential inverting output pin.
12	ENABLE C/D	I	Gate control (active low). See ENABLE A/B pin description.
13	OUTPUT D-	O	Driver D differential inverting output pin.
14	OUTPUT D+	O	Driver D differential non-inverting output pin.
15	INPUT D	I	Driver D input pin.
16	V _{CC}	I	Power supply pin.

AC ELECTRICAL CHARACTERISTICS

Test Conditions: $-40^{\circ}\text{C} - +85^{\circ}\text{C}$, $V_{\text{CC}} = 5.0\text{V} \pm 10\%$ unless otherwise specified.

Symbol	Parameter	Min.	Typ.	Max.	Unit	Conditions
T_1	Propagation Delay, Input to Output		8	10	ns	S1 open
T_2	Differential Output Rise and Fall Time		8	10	ns	S1 open
T_3	Output Enable Time		18	20	ns	S1 close
T_4	Output Disable Time		18	20	ns	S1 close
T_5^1	Skew			2	ns	S1 open

Note:

¹ Skew is defined as the difference in propagation delays between complementary outputs at the 50% point.

DC ELECTRICAL CHARACTERISTICS

Test Conditions: $T_A = -40^{\circ}\text{C} - +85^{\circ}\text{C}$, $V_{\text{CC}} = 5.0\text{V} \pm 10\%$ unless otherwise specified.

Symbol	Parameter	Min.	Typ.	Max.	Unit	Conditions
I_{IN}	Input Current			+1.0	μA	
I_{CC}	Operating Current		600		μA	
I_{OZ}	Three-State Output Leakage		+2.0		μA	
V_{IH}	Input High Level	2.0			V	
V_{IL}	Input Low Level			0.8	V	
V_{OH}	Output High Level	2.5			V	
V_{OL}	Output Low Level			0.5	V	
V_{OS}	Differential Output Level	2.0			V	$R_L=100\Omega$
V_{OC}	Common Mode Output Voltage			3.0	V	$R_L=100\Omega$
V_{OD}	Difference in Common Mode Output			0.4		$R_L=100\Omega$
C_{IN}	Input Capacitance	7	10	15	pF	
C_{PD}	Power Dissipation Capacitance		100		pF	
I_{OS}	Output Short Current	-200		-30	mA	$V_{\text{IN}}=V_{\text{CC}}$ or GND
I_{OFF}	Output Leakage Current Power Off			100	μA	$V_{\text{OUT}}=6\text{V}$
				-100	μA	$V_{\text{OUT}}=0.25\text{V}$
I_{DC}	Output Current			± 150	mA	

Specifications are subject to change without notice

ABSOLUTE MAXIMUM RATINGS

Supply Range 7V
 Voltage at Any Pin GND-0.3V to $V_{CC} + 0.3V$
 Operating Temperature $-40^{\circ}C$ to $+85^{\circ}C$

Storage Temperature $-60^{\circ}C$ to $+160^{\circ}C$
 Package Dissipation 500mW

Enable A/B C/D	Output	Differential Non-Inverting Output	Differential Inverting Output
L	X	Z	Z
H	L	L	H
H	H	H	L

X = Don't care

Z = Three-State (high impedance)

Table 1. Functional Table

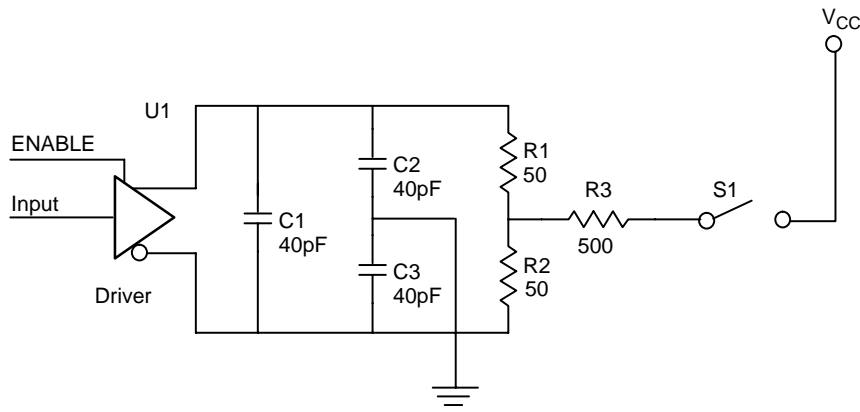


Figure 2. Test Condition

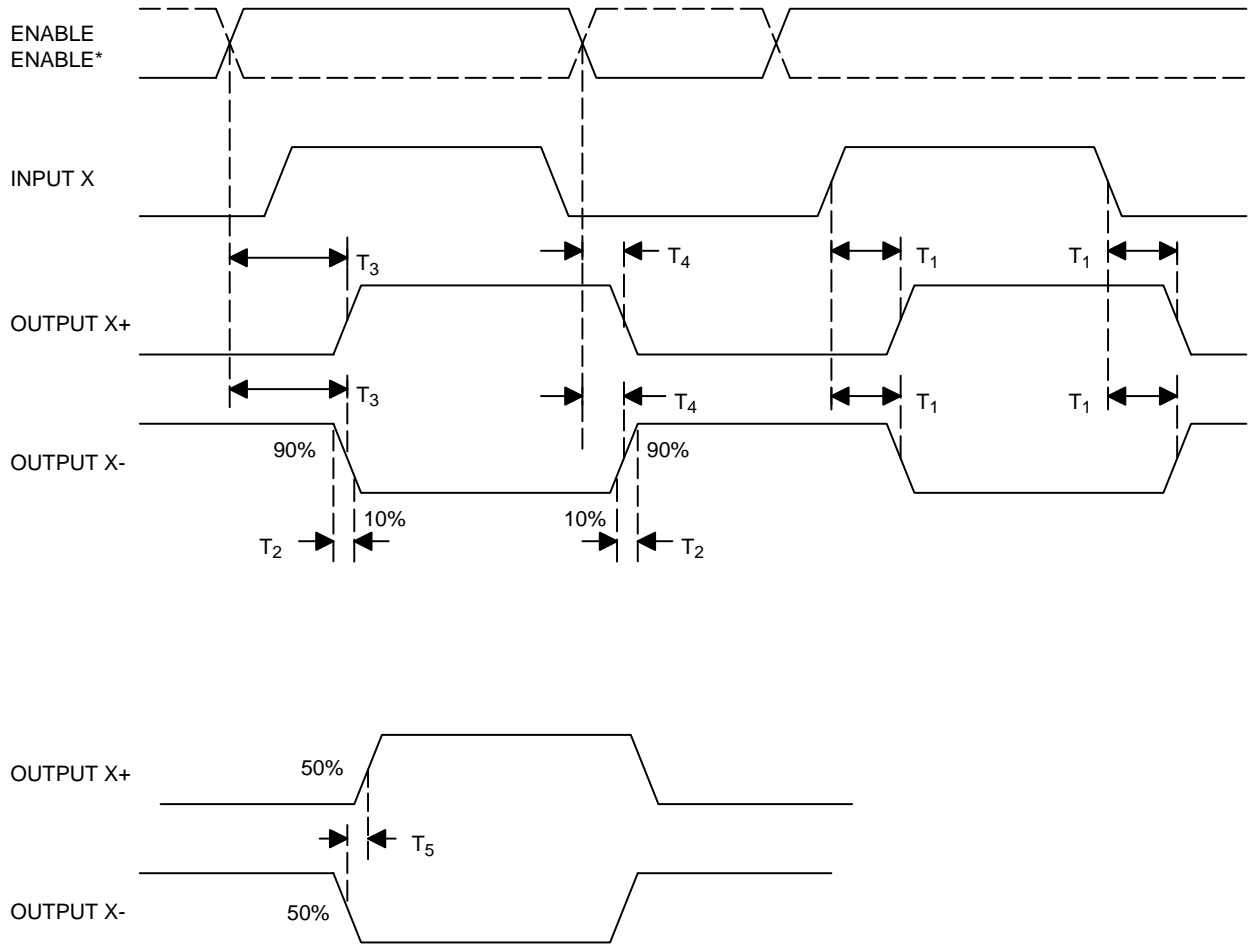
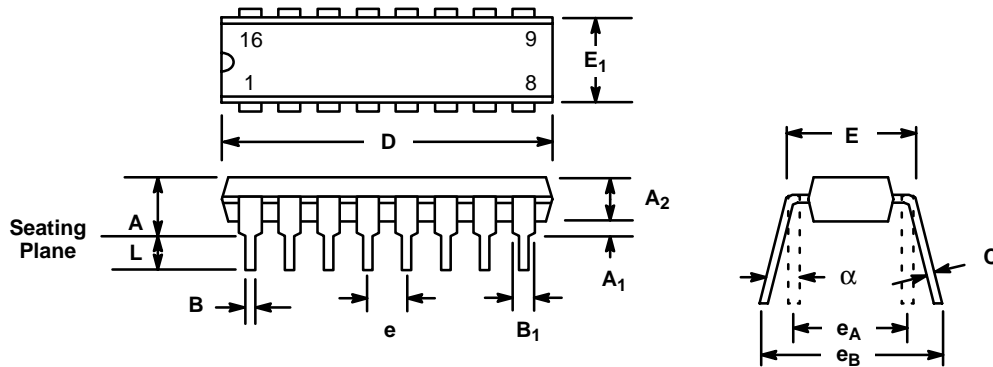


Figure 4. Differential Line Driver Timing

16 LEAD PLASTIC DUAL-IN-LINE (300 MIL PDIP)

Rev. 1.00

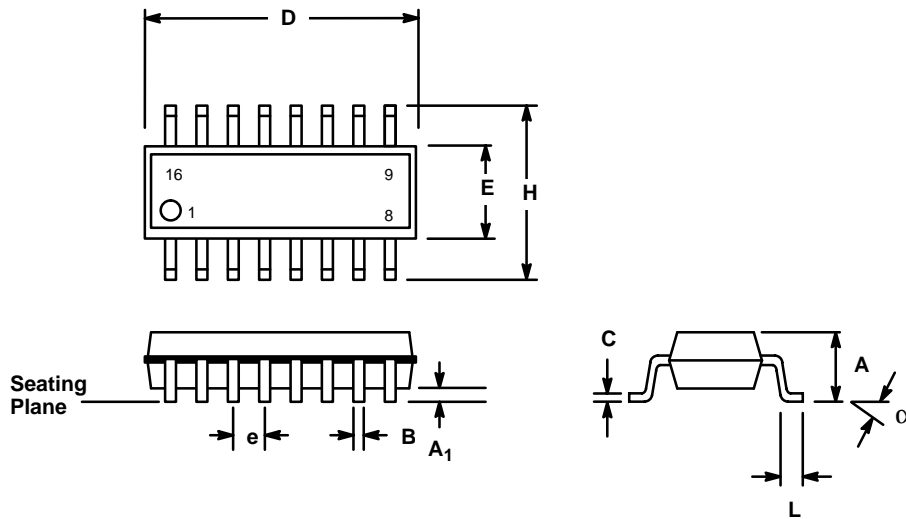


SYMBOL	INCHES		MILLIMETERS	
	MIN	MAX	MIN	MAX
A	0.145	0.210	3.68	5.33
A ₁	0.015	0.070	0.38	1.78
A ₂	0.115	0.195	2.92	4.95
B	0.014	0.024	0.36	0.56
B ₁	0.030	0.070	0.76	1.78
C	0.008	0.014	0.20	0.38
D	0.745	0.840	18.92	21.34
E	0.300	0.325	7.62	8.26
E ₁	0.240	0.280	6.10	7.11
e	0.100 BSC		2.54 BSC	
e _A	0.300 BSC		7.62 BSC	
e _B	0.310	0.430	7.87	10.92
L	0.115	0.160	2.92	4.06
α	0°	15°	0°	15°

Note: The control dimension is the inch column

**16 LEAD SMALL OUTLINE
(150 MIL JEDEC SOIC)**

Rev. 1.00



SYMBOL	INCHES		MILLIMETERS	
	MIN	MAX	MIN	MAX
A	0.053	0.069	1.35	1.75
A ₁	0.004	0.010	0.10	0.25
B	0.013	0.020	0.33	0.51
C	0.007	0.010	0.19	0.25
D	0.386	0.394	9.80	10.00
E	0.150	0.157	3.80	4.00
e	0.050 BSC		1.27 BSC	
H	0.228	0.244	5.80	6.20
L	0.016	0.050	0.40	1.27
α	0°	8°	0°	8°

Note: The control dimension is the millimeter column

NOTICE

EXAR Corporation reserves the right to make changes to the products contained in this publication in order to improve design, performance or reliability. EXAR Corporation assumes no responsibility for the use of any circuits described herein, conveys no license under any patent or other right, and makes no representation that the circuits are free of patent infringement. Charts and schedules contained here in are only for illustration purposes and may vary depending upon a user's specific application. While the information in this publication has been carefully checked; no responsibility, however, is assumed for inaccuracies.

EXAR Corporation does not recommend the use of any of its products in life support applications where the failure or malfunction of the product can reasonably be expected to cause failure of the life support system or to significantly affect its safety or effectiveness. Products are not authorized for use in such applications unless EXAR Corporation receives, in writing, assurances to its satisfaction that: (a) the risk of injury or damage has been minimized; (b) the user assumes all such risks; (c) potential liability of EXAR Corporation is adequately protected under the circumstances.

Copyright 1997 EXAR Corporation
Datasheet June 1997

Reproduction, in part or whole, without the prior written consent of EXAR Corporation is prohibited.