

TV STEREO/DUAL SOUND IDENTIFICATION DECODER

The TDA2795 is a monolithic integrated circuit for stereo/dual sound in television receivers.

The circuit incorporates the following functions:

- Controlled pilot signal amplifier.
- Envelope demodulator.
- Two separate signal paths for processing the identification frequencies: operational amplifier for active filter, integral evaluation circuit with TTL compatible 'open collector' outputs.
- Stereo indicator driver.

QUICK REFERENCE DATA

Supply voltage	V_S	typ.	12 V
Supply current	I_S	typ.	8 mA
Nominal input voltage at $f = 54,6875$ kHz	V_i	typ.	10 mV
Input impedance	$ Z_i $	\geq	500 k Ω
Operational amplifier			
open loop voltage gain at 200 Hz	G_o	\geq	78 dB
input resistance	R_i	\geq	1 M Ω
output resistance	R_o	\leq	3,5 k Ω
Supply voltage range	V_S		10,8 to 13,2 V
Operating ambient temperature range	T_{amb}		0 to + 70 °C

PACKAGE OUTLINE

18-lead DIL; plastic (SOT102).

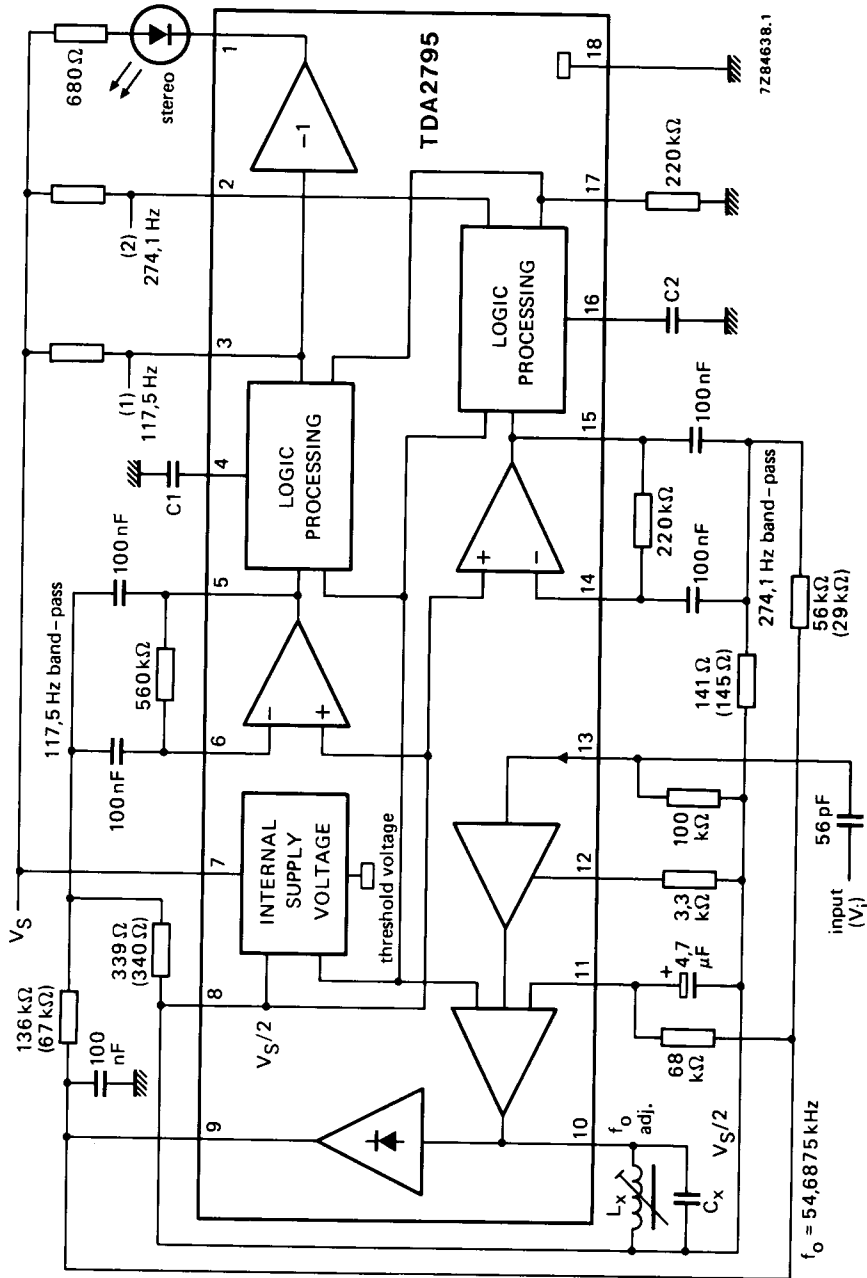


Fig. 1 Block diagram; C1 and C2 values 22 to 150 nF (dependent on switching time); values given in parenthesis are for G = 4 at 117.5/274.1 Hz; C_x = 3.3 nF.

RATINGS

Limiting values in accordance with the Absolute Maximum System (IEC 134)

Supply voltage (pin 7)	$V_{7-18} = V_S$	max.	15 V
Signal input (pin 13)	V_{13-18}	max.	V_S V
	$-V_{13-18}$	max.	0,5 V
Switch outputs (pins 1, 2 and 3)	V_{1-18}	max.	18 V
	I_1	max.	50 mA
	$V_{2;3-18}$	max.	15 V
	$I_{2;3}$	max.	5 mA
	$-V_{1;2;3-18}$	max.	0,5 V
Total power dissipation	P_{tot}	max.	800 mW
Storage temperature range	T_{stg}		-25 to +125 °C
Operating ambient temperature range	T_{amb}		0 to +70 °C

CHARACTERISTICS

$V_S = 12$ V; $T_{amb} = 25$ °C, unless otherwise specified; measured in Fig. 1, at $V_i = 10$ mV; $f = 54,6875$ kHz amplitude modulated with $f_{m1} = 117,5$ Hz or $f_{m2} = 274,1$ Hz; $m_1 = m_2 = 50\%$.

Supply voltage range	V_S	10,8 to	13,2 V
Supply current	I_S	typ.	8 mA
		≤	12 mA

Pilot signal amplifier and envelope demodulator

Maximum input voltage (peak-to-peak value)	$V_{i(p-p)}$	typ.	2 V
Input impedance	$ Z_{13-18} $	≥	500 kΩ
Voltage gain (V_{9-18}/V_{13-18}) at $V_i = 1$ mV	G_{v9-13}	typ.	42 dB
Start of control at V_i	see Fig. 3		
Control range	ΔG_v	≥	40 dB
Controlled output voltage (r.m.s. value) (pin 9)	$V_{o(rms)}$	typ.	550 mV

Operational amplifiers

Input bias current (pins 6 and 14)	$\pm I_{6;14}$	≤	70 nA
Open loop voltage gain at $f = 200$ Hz	G_o	≥	78 dB
Available output current (pins 5 and 15)	$\pm I_{5;15}$	≥	1,5 mA
Output resistance (pins 5 and 15)	R_o	typ.	2 kΩ
		≤	3,5 kΩ
Allowable load capacitance	C_L	≤	30 pF
Output offset voltage at $R_{5-6} = 560$ kΩ	$\pm V_{o5-8}$	≤	70 mV

CHARACTERISTICS (continued)**Evaluation circuitry**

Switch-on threshold voltage (pins 5 and 15)	$V_5; V_{15}$	typ.	1,0 V
Switch hysteresis	$\frac{V_{5on}}{V_{5off}} = \frac{V_{15on}}{V_{15off}}$	typ.	$3,8 \pm 0,5$ dB
Switch outputs (pins 2 and 3)			
allowable output current	$I_3; I_2$	\leq	2 mA
saturation voltage at $I_3 = I_2 = 1,5$ mA	$V_{3;2-18sat}$	\leq	0,35 V
leakage voltage at $I_3 = I_2 \leq 5$ μ A	$V_{3;2-18}$	\leq	15 V
Indicator driver (pin 1)			
allowable output current	I_1	\leq	40 mA
saturation voltage at $I_1 = 20$ mA	$V_{1-18sat}$	\leq	0,8 V
leakage voltage at $I_1 < 10$ μ A	V_{1-18}	\leq	18 V
Internal reference voltage			
Reference voltage (pin 8)	V_{8-18}	typ.	6 V
Available output current (pin 8)	$-I_8$	\geq	2 mA
	$+I_8$	\geq	0,6 mA
Reference current source			
Reference voltage (pin 17)	V_{17-18}	typ.	5,3 V
Internal bias resistor	R_{i17}	typ.	5 k Ω
Allowable load resistor (pin 17)	R_L		180 to 270 k Ω

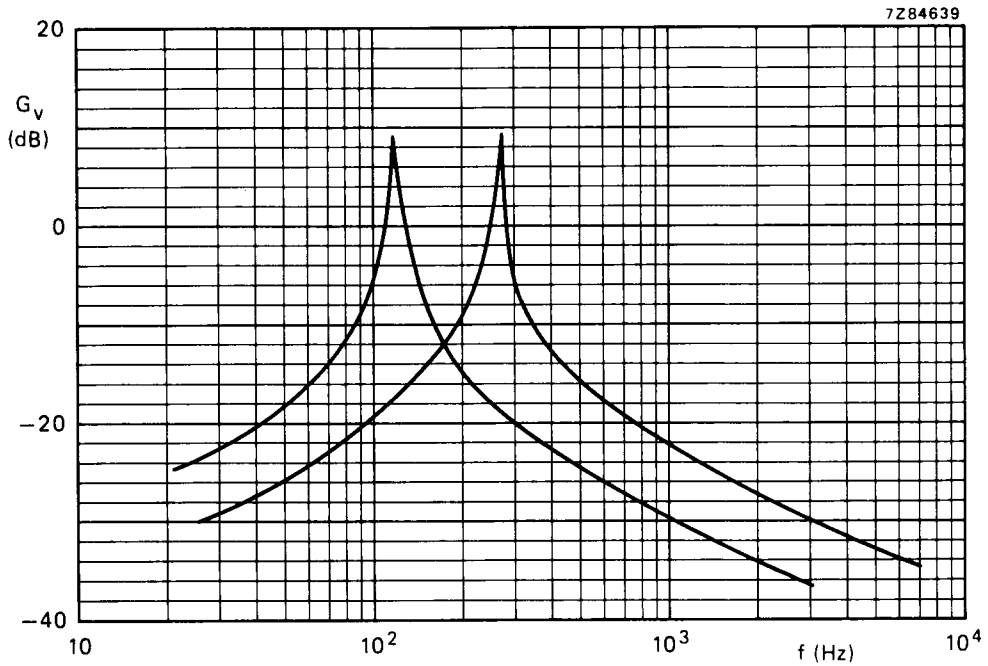


Fig. 2 Band-pass curves for 117,5 Hz and 274,1 Hz.

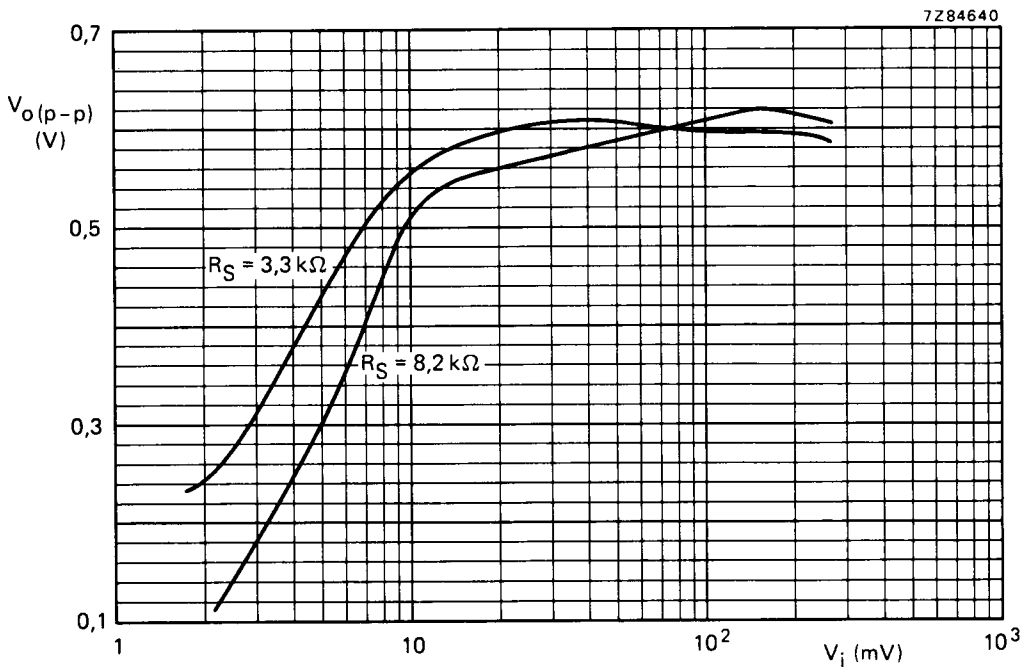


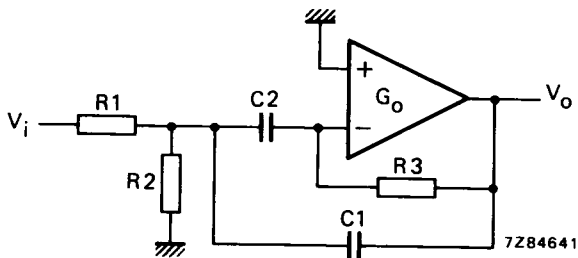
Fig. 3 Controlled output voltage as a function of the input signal ($Q_o = 80$); pilot frequency $f_o = 54,6875$ kHz; R_S is source resistance.

GENERAL FILTER CALCULATIONS

1. Gain

Amplifier conditions: $G_o \gg G_v$ and $G_o \gg 2 \cdot Q^2$

$$G_v = - \frac{\frac{p}{R_1 \cdot C_1}}{p^2 + p \frac{C_1 + C_2}{R_3 \cdot C_1 \cdot C_2} + \frac{R_1 + R_2}{R_1 \cdot R_2 \cdot R_3 \cdot C_1 \cdot C_2}}, \text{ in which: } p = j\omega; G_v = \frac{V_o}{V_i}$$



2. Resonance frequency

$$\omega_r = \frac{1}{\sqrt{\frac{R_1 \cdot R_2}{R_1 + R_2} \cdot R_3 \cdot C_1 \cdot C_2}}$$

3. Gain at $\omega = \omega_r$

$$-G_{vr} = \frac{C_2}{C_1 + C_2} \cdot \frac{R_3}{R_1}$$

4. Quality

$$Q = \frac{\sqrt{C_1 \cdot C_2}}{C_1 + C_2} \cdot \sqrt{\frac{R_3 (R_1 + R_2)}{R_1 \cdot R_2}}$$

5. Recommended components

C1 and C2: 5% MKC (metallized polycarbonate film capacitor)

R1, R2 and R3: 2% MR (metal film resistor)

or:

C1 and C2: 5% MKT (metallized polyester film capacitor)

R1, R2 and R3: 2% CR (carbon film resistor)