

UTC PC1031 LINEAR INTEGRATED CIRCUIT

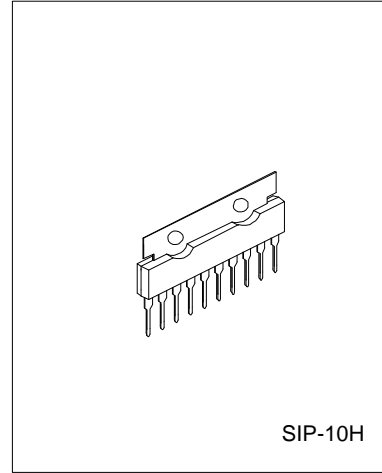
TV HORIZONTAL DEFLECTION CIRCUIT

DESCRIPTION

UTC PC1031 is designed for B/W TV and small screen color TV. It generates deflection signal and drives deflection coil.

FEATURES

- *Low external components required
- *Wide operating supply voltage(9V-18V)
- *Adjustable synchronous input range
- *Adjustable blanking voltage
- *Large output current(2AP-P)
- *Built in adjustable fly-back time



APPLICATION CIRCUIT

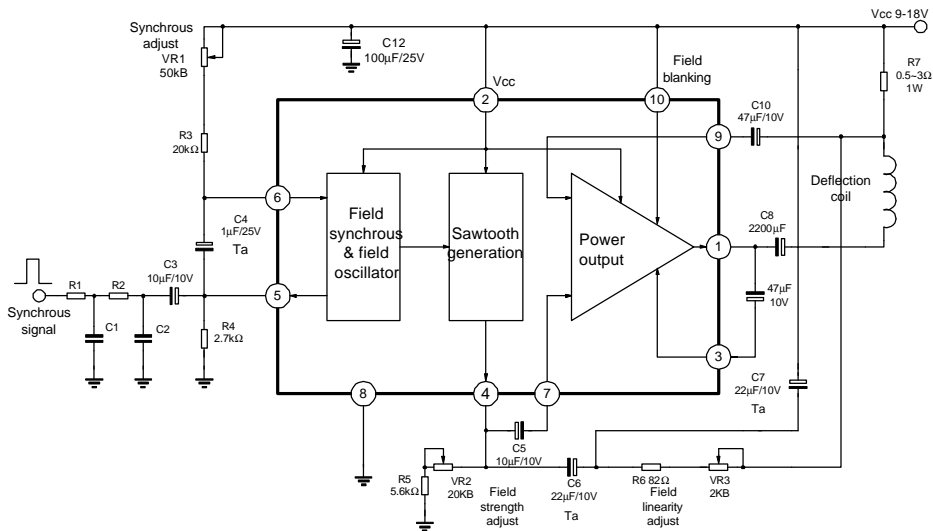


Fig 1

UTC PC1031 LINEAR INTEGRATED CIRCUIT

ABSOLUTE MAXIMUM RATINGS(Ta=25°C)

PARAMETER	SYMBOL	VALUE	UNIT
Supply Voltage	VCC	20	V
Output Current	IP-P	2	AP-P
Power Dissipation	PD1	1.5(Ta=+75°C)	W
Power dissipation	PD2	2.15(Ta=+75°C) With heat sink (31.6 x 31.6 x 1mm ³)	W
Operating temperature	TOPR	-20 ~ +75	°C
Storage Temp.	TSTG	-40 ~ +150	°C

ELECTRICAL CHARACTERISTICS(VCC=12V,Ta=25°C)

PARAMETER	SYMBOL	TEST CONDITIONS	MIN	TYP	MAX	UNIT	FIG
Supply Current	ICC	No signal input and load	15	30	46	mA	2
Output Voltage	VN	No signal input and load	5.6	6.0	6.4	V	2
Field osc Frequency	fV	Synchronization voltage on Pin 5 is 1.3VP-P	i ^a	50/60	i ^a	HZ	2
Free osc Frequency	fVO	Cosc=1μF Ta, Rosc=38.1KΩ	53	60	67	HZ	2
Synchronization Input Range	Δf(PULL)	Synchronization voltage on Pin 5 is 1.3VP-P	-10	-12	i ^a	HZ	2
Free osc Frequency Change with Supply Voltage	ΔfVO	fVO=60HZ, VCC=12V fVO deviation for +2V change of Vcc	i ^a	i ^a	+1.0	HZ	2
Synchronization Range deviation with Supply Voltage	Δf(PULL) VCC	VCC is+2V deviated from 12V	i ^a	i ^a	+3.0	HZ	2
Output Saturation Voltage	VSAT	Io=0.7A	i ^a	1.3	1.6	V	2
Pin 4 Output Pulse Width	tO	Cosc=1μ F Ta, Rosc=38.1KΩ	300	420	600	μsec	2

UTC PC1031 LINEAR INTEGRATED CIRCUIT

TEST CIRCUIT

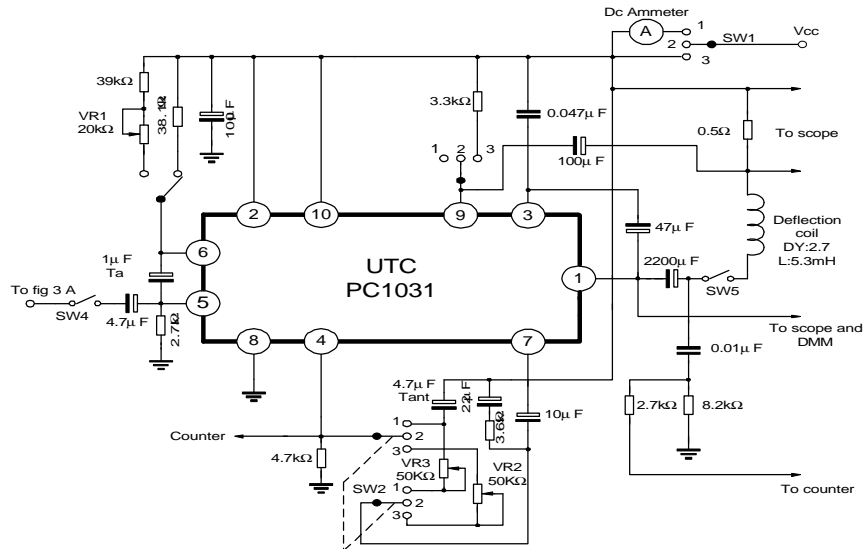


FIG2

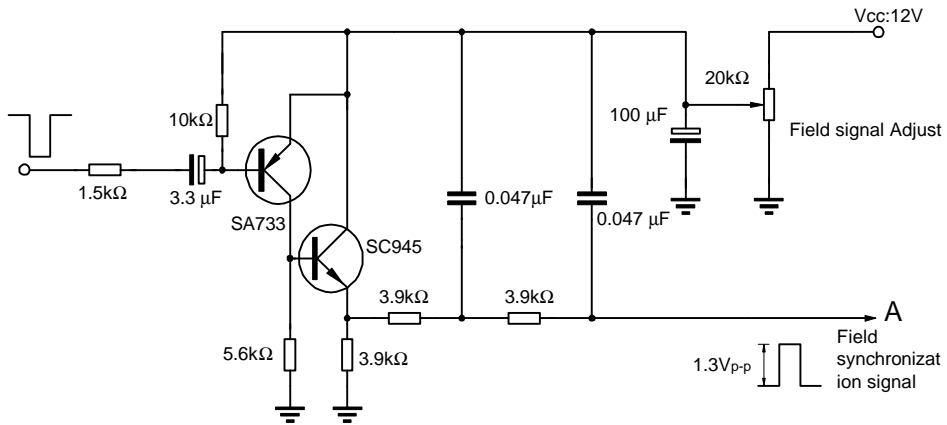


FIG3