

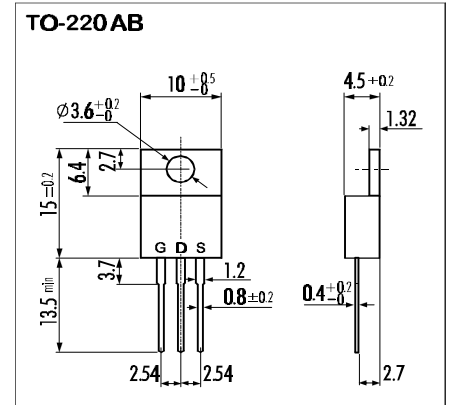
**> Features**

- High Speed Switching
- Low On-Resistance
- No Secondary Breakdown
- Low Driving Power
- High Voltage
- V<sub>GS</sub> = ± 30V Guarantee
- Avalanche Proof

**> Applications**

- Switching Regulators
- UPS
- DC-DC converters
- General Purpose Power Amplifier

**> Outline Drawing**

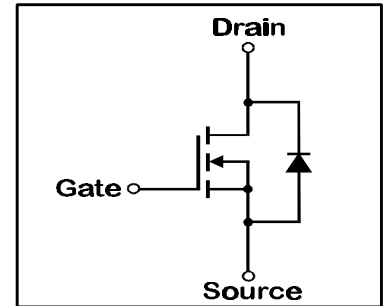


**> Maximum Ratings and Characteristics**

- Absolute Maximum Ratings (T<sub>C</sub>=25°C), unless otherwise specified

Item	Symbol	Rating	Unit
Drain-Source-Voltage	V <sub>DS</sub>	1000	V
Drain-Gate-Voltage (R <sub>GS</sub> =20KΩ)	V <sub>DGR</sub>	1000	V
Continous Drain Current	I <sub>D</sub>	4	A
Pulsed Drain Current	I <sub>D(puls)</sub>	16	A
Gate-Source-Voltage	V <sub>GS</sub>	±30	V
Max. Power Dissipation	P <sub>D</sub>	80	W
Operating and Storage Temperature Range	T <sub>ch</sub>	150	°C
	T <sub>stg</sub>	-55 ~ +150	°C

**> Equivalent Circuit**



- Electrical Characteristics (T<sub>C</sub>=25°C), unless otherwise specified

Item	Symbol	Test conditions	Min.	Typ.	Max.	Unit
Drain-Source Breakdown-Voltage	V <sub>(BR)DSS</sub>	I <sub>D</sub> =1mA V <sub>GS</sub> =0V	1000			V
Gate Threshold Voltage	V <sub>GS(th)</sub>	I <sub>D</sub> =1mA V <sub>DS</sub> =V <sub>GS</sub>	2,5	3,0	3,5	V
Zero Gate Voltage Drain Current	I <sub>DSS</sub>	V <sub>DS</sub> =1000V T <sub>ch</sub> =25°C		10	500	μA
		V <sub>GS</sub> =0V T <sub>ch</sub> =125°C		0,2	1,0	mA
Gate Source Leakage Current	I <sub>GSS</sub>	V <sub>GS</sub> =±30V V <sub>DS</sub> =0V		10	100	nA
Drain Source On-State Resistance	R <sub>DS(on)</sub>	I <sub>D</sub> =2A V <sub>GS</sub> =10V		2,7	3,6	Ω
Forward Transconductance	g <sub>fs</sub>	I <sub>D</sub> =2A V <sub>DS</sub> =25V	2	5		S
Input Capacitance	C <sub>iss</sub>	V <sub>DS</sub> =25V		1300	1950	pF
Output Capacitance	C <sub>oss</sub>	V <sub>GS</sub> =0V		100	150	pF
Reverse Transfer Capacitance	C <sub>rss</sub>	f=1MHz		35	55	pF
Turn-On-Time t <sub>on</sub> (t <sub>on</sub> =t <sub>d(on)</sub> +t <sub>r</sub> )	t <sub>d(on)</sub>	V <sub>CC</sub> =600V		20	30	ns
		I <sub>D</sub> =4A		15	25	ns
Turn-Off-Time t <sub>off</sub> (t <sub>off</sub> =t <sub>d(off)</sub> +t <sub>f</sub> )	t <sub>d(off)</sub>	V <sub>GS</sub> =10V		85	130	ns
		R <sub>GS</sub> =10 Ω		20	30	ns
Avalanche Capability	I <sub>AV</sub>	L = 100μH T <sub>ch</sub> =25°C	4			A
Continous Reverse Drain Current	I <sub>DR</sub>				4	A
Pulsed Reverse Drain Current	I <sub>DRM</sub>				16	A
Diode Forward On-Voltage	V <sub>SD</sub>	I <sub>F</sub> =2xI <sub>DR</sub> V <sub>GS</sub> =0V T <sub>ch</sub> =25°C		1,1	1,65	V
Reverse Recovery Time	t <sub>rr</sub>	I <sub>F</sub> =I <sub>DR</sub> V <sub>GS</sub> =0V		400		ns
Reverse Recovery Charge	Q <sub>rr</sub>	-di <sub>F</sub> /dt=100A/μs T <sub>ch</sub> =25°C		3		μC

- Thermal Characteristics

Item	Symbol	Test conditions	Min.	Typ.	Max.	Unit
Thermal Resistance	R <sub>th(ch-a)</sub>	channel to air			75	°C/W
	R <sub>th(ch-c)</sub>	channel to case			1,56	°C/W

N-channel MOS-FET			
1000V	3,6Ω	4A	80W

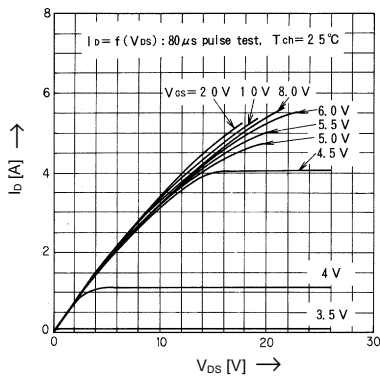
# 2SK1986-01

## FAP-IIA Series

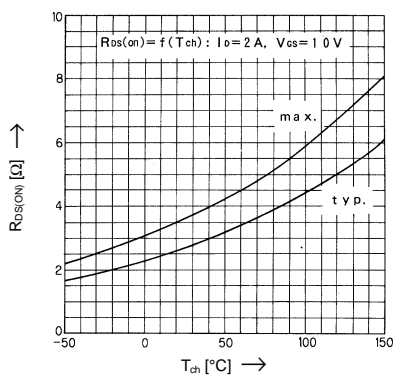


### > Characteristics

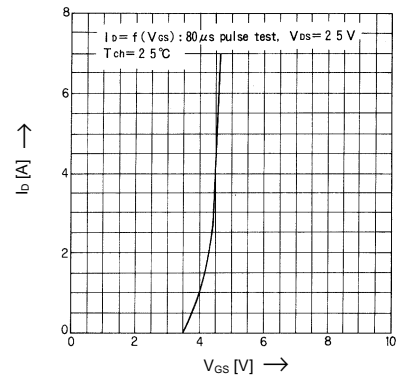
Typical Output Characteristics



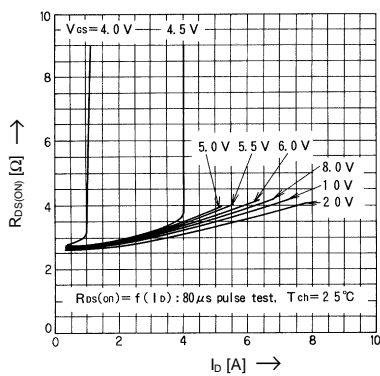
Drain-Source-On-State Resistance vs. Tch



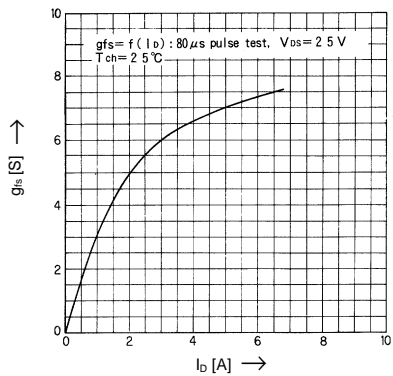
Typical Transfer Characteristics



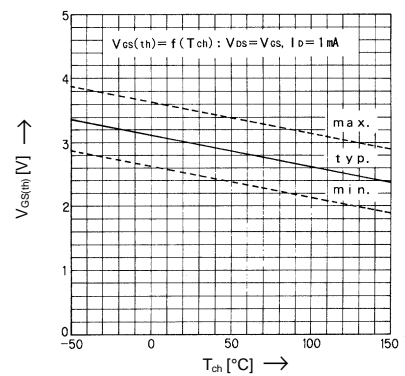
Typical Drain-Source-On-State-Resistance vs. Id



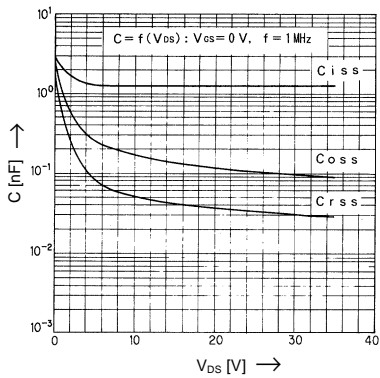
Typical Forward Transconductance vs. Id



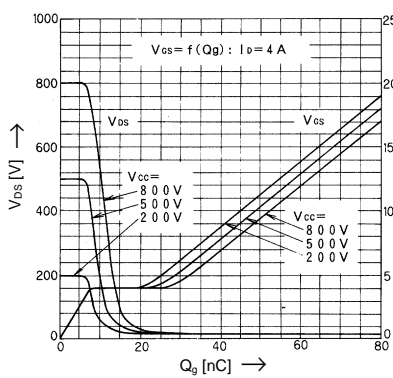
Gate Threshold Voltage vs. Tch



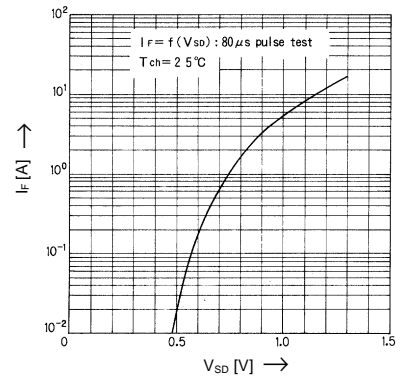
Typical Capacitance vs. Vds



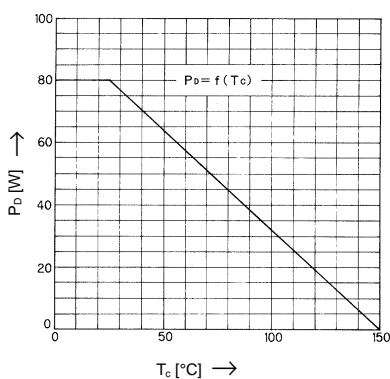
Typical Input Charge



Forward Characteristics of Reverse Diode



Allowable Power Dissipation vs. Tch



Safe operation area

