



DDR 14-Bit Registered Buffer

Features

- Fully JEDEC JC40 - JC42.5 compliant for DDR1 applications to include: PC1600, PC2100, PC2700 & PC3200 (> JEDEC defined DDR 400 @ 200MHz)
- Low voltage operation; VDD: 2.3V - 2.7V.
- SSTL_2 Class II outputs.
- Differential clock inputs.
- Available in 48 pin TSSOP and TVSOP packages.

Product Description

The ASM4SSTVF16857 is a universal 14-bit register (D F/F based), designed for 2.3V to 2.7V V_{DD} . The device supports SSTL_2 I/O levels, and is fully compliant with the JEDEC JC40, JC42.5 DDR I specifications covering PC1600, PC2100, PC2700, and PC3200 operational ranges. 14-bit refers to 2Q outputs for each D input - designed for use in Stacked Registers (stacked memory devices), Buffered DIMM applications.

Data flow from D to Q is controlled by the differential clock (CLK/CLKB) along with a controlled reset (RESETB). The positive edge of CLK is used to trigger the data transfer, and CLKB is used to maintain sufficient noise margins, whereas the RESETB input is designed and intended for use at power-up.

The ASM4SSTVF16857 supports a low power standby mode of operation. A logic low level at RESETB, assures that all internal registers and outputs (Q) are reset to a logic low state, and that all input receivers, data (D) buffers, and clock (CLK/CLKB) are switched off. Note that RESETB should be supported with a

LVC MOS level at a valid logic state since VREF may not be stable during power-up.

To ensure that outputs are at a defined logic state before a stable clock has been supplied, RESETB must be held at a logic low level during power-up.

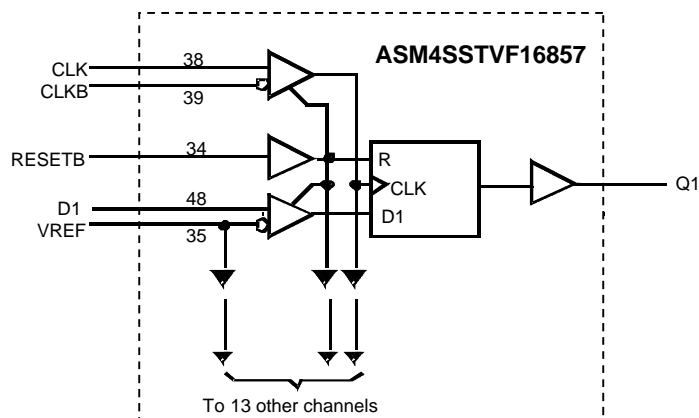
In the JEDEC defined Registered DDR DIMM application, RESETB is specified to be asynchronous with respect to CLK/CLKB; therefore, no timing relationship can be guaranteed between the two signals. When entering a low-power standby mode, the register will be cleared and the outputs will be driven to a logic low level quickly relative to the time to disable the differential input receivers. This ensures there are no "glitches" on any output. However, when coming out of low power standby mode, the register will become active quickly relative to the time taken to enable the differential input receivers. When the data inputs are at a logic level low and the clock is stable during the low-to-high transition of RESETB until the input receivers are fully enabled, the design ensures that the outputs will remain at a logic low level.

Applications

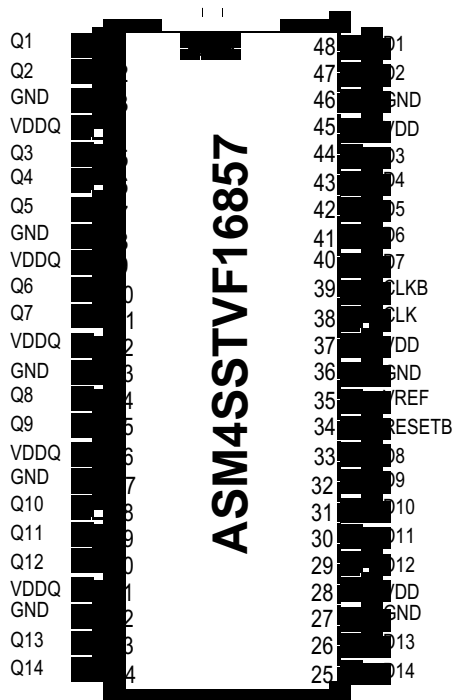
- JEDEC and Non JEDEC DDR Memory Modules
 - Planar configurations
 - Supports PC1600 - PC2100 - PC2700 - PC3200
- SSTL_2 I/O
- Provides a complete support solution for JEDEC JC42.5 (JC45) DDR I RDIMMs' when used with the ASM5CVF857 Zero Delay Buffer.



Block Diagram



Pin Configurations



48-pin TSSOP & TVSOP
6.10 mm body, 0.50 mm pitch - TSSOP
4.40mm body, 0.40mm pitch - TSSOP (TVSOP)



Pin Descriptions

Pin #	Pin Name	Type	Description
1, 2, 5, 6, 7, 10, 11, 14, 15, 18, 19, 20, 23, 24	Q (14:1)	O	Data output.
3, 8, 13, 17, 22, 27, 36, 46	GND	P	Ground to entire chip.
4, 9, 12, 16, 21	VDDQ	P	Output supply voltage.
25, 26, 29, 30, 31, 32, 33, 40, 41, 42, 43, 44, 47, 48	D(14:1)	I	Data input.
38	CLK	I	Positive clock input.
39	CLKB	I	Negative clock input.
28, 37, 45	VDD	P	Core supply voltage.
34	RESETB	I	Rest Active low.
35	VREF	I	Input reference voltage.

Truth Table¹

Inputs				Q Outputs
RESETB	CLK	CLKB	D	Q
L	X or floating	X or floating	X or floating	L
H			H	H
H			L	L
H	L or H	L or H	X	Q ₀ ²

Note:

- H=High signal level, L=Low signal level, = transition from low to high, = transition from high to low, X = don't care
- Output level before the indicated steady state input conditions were established.



rev 2.0

Absolute Maximum Ratings

Parameter	Min	Max	Unit
Storage Temperature	-65	+150	°C
Supply Voltage	-0.5	3.6	V
Input Voltage ¹	-0.5	$V_{DD} + 0.5$	V
Output Voltage ^{1,2}	-0.5	$V_{DD} + 0.5$	V
Input Clamp Current	± 50		mA
Output Clamp Current	±50		mA
Continuous Output Current	±50		mA
VDD, VDDQ or GND current/pin	100		mA
Package Thermal Impedance ³	55		°C/W
Note: 1. The input and output negative voltage ratings may be excluded if the input and output clamp ratings are observed. 2. This current will flow only when the output is in the high state level $V_0 > V_{DDQ}$. 3. The package thermal impedance is calculated in accordance with JESD 51. These are stress ratings only and functional operation is not implied. Exposure to absolute maximum ratings for prolonged periods can affect device reliability.			



Recommended Operating Conditions

Guaranteed by design. Not 100% tested in production.

Parameter	Description		Min	Typ	Max	Unit
V_{DD}	Supply voltage		2.3	2.5	2.7	V
V_{DDQ}	Output supply voltage	PC1600, PC2100, PC2700	2.3		2.7	V
		PC3200	2.5		2.7	
V_{REF}	Reference voltage ($V_{REF} = V_{DDQ}/2$)	PC1600, PC2100, PC2700	1.15	1.25	1.35	V
		PC3200	1.25	1.3	1.35	
V_{TT}	Termination voltage		$V_{REF} - 0.04$	V_{REF}	$V_{REF} + 0.004$	V
V_I	Input voltage		0		V_{DD}	V
$V_{IH(DC)}$	DC input high voltage	Data Inputs	$V_{REF} + 0.15$			V
$V_{IH(AC)}$	AC input high voltage		$V_{REF} + 0.31$			V
$V_{IL(DC)}$	DC input low voltage				$V_{REF} - 0.15$	V
$V_{IL(AC)}$	AC input low voltage				$V_{REF} - 0.31$	V
V_{IH}	Input high voltage level	RESETB	1.7			V
V_{IL}	Input low voltage level				0.7	V
V_{ICR}	Common mode input range	CLK	0.97		1.53	V
V_{ID}	Differential input voltage	CLKB	0.36			V
V_{IX}	Cross-point voltage of differential clock pair		$(V_{DDQ}/2) - 0.2$		$(V_{DDQ}/2) + 0.2$	V
I_{OH}	High-level output current				-20	mA
I_{OI}	Low-level output current				20	mA
T_A	Operating free-air temperature		0		70	°C



rev 2.0

DC Electrical Characteristics - PC1600, PC2100, PC2700

$T_A = 0^\circ\text{C}$ to 70°C , $V_{DD} = 2.5 \pm 0.2\text{V}$, and $V_{DDQ} = 2.5 \pm 0.2\text{V}$ (unless otherwise stated)

Guaranteed by design. Not 100% production tested.

Symbol	Parameter	Test conditions	V_{DD}	Min	Typ	Max	Units
V_{IK}		$I_I = -18\text{ mA}$	2.3 V			-1.2	V
V_{OH}		$I_{OH} = -100\ \mu\text{A}$	2.3 V to 2.7 V	$V_{DD} - 0.2$			V
		$I_{OH} = -16\text{ mA}$	2.3 V	1.95			V
V_{OL}		$I_{OL} = 100\ \mu\text{A}$	2.3 V to 2.7 V			0.2	V
		$I_{OL} = 16\text{ mA}$	2.3 V			0.35	V
I_I	All inputs	$V_I = V_{DD}$ or GND	2.7 V			± 5	μA
I_{DD}	Standby (static)	RESETB = GND	2.7 V			0.01	μA
	Operating (static)	$V_I = V_{IH(AC)}$ or $V_{IL(AC)}$, RESETB = V_{DD}	2.7 V			25	mA
I_{DDQ}	Dynamic operating (clock only)	RESETB = V_{DD} , $V_I = V_{IH(AC)}$ or $V_{IL(AC)}$, CLK and CLKB switching 50% duty cycle	2.7 V		28		$\mu\text{A}/\text{clock MHz}$
	Dynamic operating (per each data input)	RESETB = V_{DD} , $V_I = V_{IH(AC)}$ or $V_{IL(AC)}$, CLK and CLKB = switching 50% duty cycle; One data input switching at half clock frequency, 50% duty cycle					15
r_{OH}	Output high	$I_{OH} = -20\text{ mA}$	2.3 V to 2.7 V	7	13.5	20	Ω
r_{OL}	Output low	$I_{OL} = 20\text{ mA}$	2.3 V to 2.7 V	7		20	Ω
$r_{O(D)}$	$ r_{OH} - r_{OL} $ each separate bit	$I_O = 20\text{ mA}$, $T_A = 25^\circ\text{C}$	2.5 V			4	Ω
C_i	Data inputs	$V_I = V_{REF} \pm 310\text{ mV}$, $V_{ICR} = 1.25\text{ V}$, $V_{I(PP)} = 360\text{ mV}$	2.5 V	2.5		3.5	pF
	CLK & CLKB		2.5 V	2.5		3.5	pF
	RESETB	$V_I = V_{DD}$ or GND	2.5V	2.5		3.5	pF



rev 2.0

DC Electrical Characteristics -PC3200

$T_A = 0^\circ\text{C}$ to 70°C , $V_{DD} = 2.6 \pm 0.2\text{V}$, and $V_{DDQ} = 2.6 \pm 0.2\text{V}$ (unless otherwise stated)

Guaranteed by design. Not 100% production tested.

Symbol	Parameters	Test conditions	V_{DD} (V)	Min	Typ	Max	Units
V_{IK}		$I_I = -18\text{ mA}$	2.5			-1.2	V
V_{OH}		$I_{OH} = -100\ \mu\text{A}$	2.5 V to 2.7	$V_{DD} - 0.2$			V
		$I_{OH} = -8\text{ mA}$	2.5	1.95			V
V_{OL}		$I_{OL} = 100\ \mu\text{A}$	2.5 V to 2.7			0.2	V
		$I_{OL} = 8\text{ mA}$	2.5			0.35	V
I_i	All inputs	$V_i = V_{DD}$ or GND	2.7			± 5	μA
I_{DD}	Standby (static)	RESETB = GND	2.7			0.01	μA
	Operating (static)	$V_i = V_{IH(AC)}$ or $V_{IL(AC)}$, RESETB = V_{DD}	2.7			25	mA
I_{DDD}	Dynamic operating (clock only)	RESETB = V_{DD} , $V_i = V_{IH(AC)}$ or $V_{IL(AC)}$, CLK and CLKB switching 50% duty cycle	2.7		328		$\mu\text{A}/\text{clock MHz}$
	Dynamic operating (per each data input)	RESETB = V_{DD} , $V_i = V_{IH(AC)}$ or $V_{IL(AC)}$, CLK and CLKB = switching 50% duty cycle; One data input switching at half clock frequency, 50% duty cycle	2.7		15		$\mu\text{A}/\text{clock MHz}/\text{data input}$
r_{OH}	Output high	$I_{OH} = -20\text{ mA}$	2.5 V to 2.7	7	13.5	20	Ω
r_{OL}	Output low	$I_{OL} = 20\text{ mA}$	2.5 V to 2.7	7		20	Ω
$r_{O(D)}$	$ r_{OH} - r_{OL} $ each separate bit	$I_O = 20\text{ mA}$, $T_A = 25^\circ\text{C}$	2.6			4	Ω
C_i	Data inputs	$V_i = V_{REF} \pm 310\text{ mV}$, $V_{ICR} = 1.25\text{ V}$, $V_{I(PP)} = 360\text{ mV}$	2.6	2.5		3.5	pF
	CLK & CLKB		2.6	2.5		3.5	pF
	RESETB	$V_i = V_{DD}$ or GND	2.6	2.5		3.5	pF



rev 2.0

Timing Requirements

(Over recommended operating free-air temperature range, unless otherwise noted).

Guaranteed by design. Not 100% production tested.

* this parameter is not necessarily production tested.

Symbol	Parameters		$V_{DDQ} = 2.5V \pm 0.2V$		$V_{DDQ} = 2.6V \pm 0.1V$		Unit
			Min	Max	Min	Max	
f_{CLOCK}	Clock frequency			200		270	MHz
t_w	Pulse duration, CK, CKLB high or low		2.5		2.5		ns
t_{ACT}^*	Differential inputs active time			22		22	ns
t_{INACT}^*	Differential inputs inactive time			22		22	ns
t_s	Setup time, fast slew rate	Data before CLK \uparrow , CLKB \downarrow	0.75		0.4		ns ns
	Setup time, slow slew rate		0.9		0.6		
t_h	Hold time, fast slew rate	Data after CLK \uparrow , CLKB \downarrow	0.75		0.4		ns ns
	Hold time, slow slew rate		0.9		0.6		
t_{SL}	Output slew rate, measurement point at 20% and 80%		1	4	1	4	V/ns
Note: 1. Data inputs must be low for a minimum time of t_{ACT} max, after which RESETB is taken high. 2. Data and clock inputs must be held at valid levels (not floating) for a minimum time of t_{INACT} max after which RESETB is taken low. 3. For data signal input slew rate $\geq V/ns$ 4. For data signal input slew rate $\geq 0.5 V/ns$ and $< 1V/ns$ 5. CLK,CLKB signals input slew rates are $\geq 1V/ns$							



Switching Characteristics - PC1600, PC2100, PC2700

(Over recommended operating free-air temperature range unless otherwise noted.)

Symbol	From (input)	To (output)	VDD = 2.5 V ± 0.2 V			Units
			Min	Typ	Max	
f _{max}			200	–	–	MHz
t _{PD}	CLK, CLKB	Q	1.1		2.8	ns
t _{phi}	RESETB	Q	–	–	5.0	ns

Switching Characteristics - PC3200

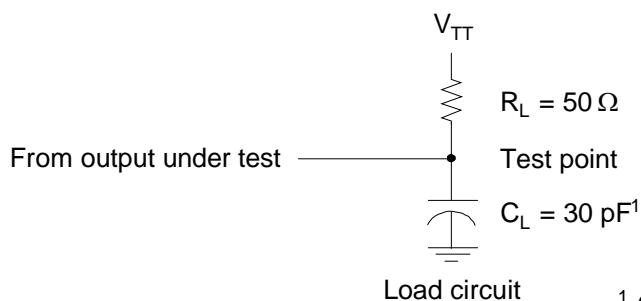
(Over recommended operating free-air temperature range unless otherwise noted.)

Symbol	From (input)	To (output)	VDD = 2.6 V ± 0.1 V			Units
			Min	Typ	Max	
f _{max}			280			MHz
t _{PD}	CLK, CLKB	Q	1.1		2.2	ns
t _{phi}	RESETB	Q			5.0	ns



rev 2.0

Parameter Measurement Information ($V_{DD} = 2.5 V \pm 0.2V$)



¹ C_L includes probe and jig capacitance.

Voltage and Current Waveforms

In the following waveforms, note that all input pulses are supplied by generators having the following characteristics: $PRR \leq 10 \text{ MHz}$, $Z_o = 50 \Omega$, input slew rate = $1 \text{ V/ns} \pm 20\%$ (unless otherwise specified).

The outputs are measured one at a time with one transition per measurement.

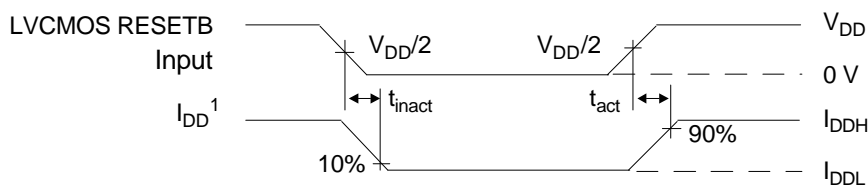
$V_{TT} = V_{REF} = V_{DDQ}/2.$

$V_{IH} = V_{REF} + 310 \text{ mV}$ (AC voltage levels) for differential inputs. $V_{IH} = V_{DD}$ for LVCMOS input.

$V_{IL} = V_{REF} - 310 \text{ mV}$ (AC voltage levels) for differential inputs. $V_{IL} = \text{GND}$ for LVCMOS input.

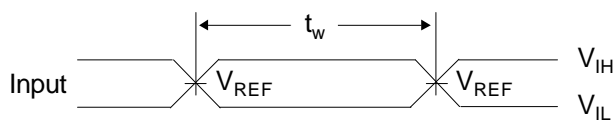
t_{PLH} and t_{PHL} are the same as t_{pd} .

Input active and inactive times

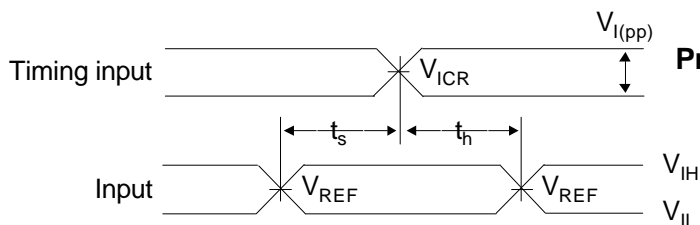


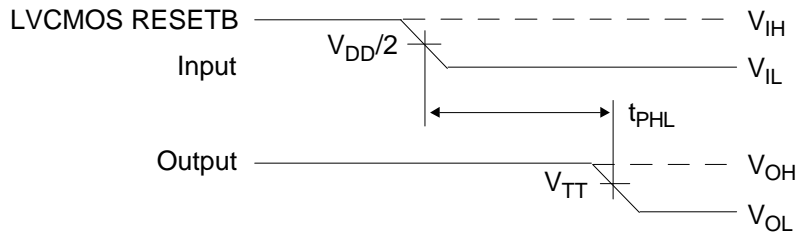
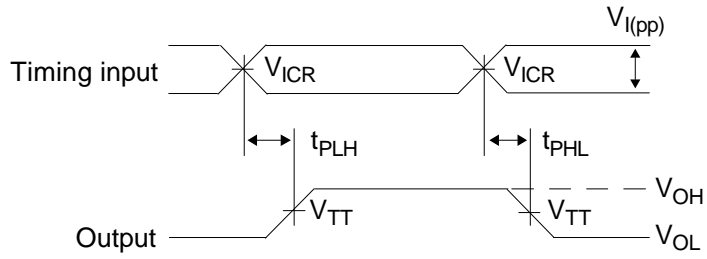
¹ I_{DD} tested with clock and data inputs held at V_{DD} or GND, and $I_O = 0 \text{ mA}$.

Pulse duration



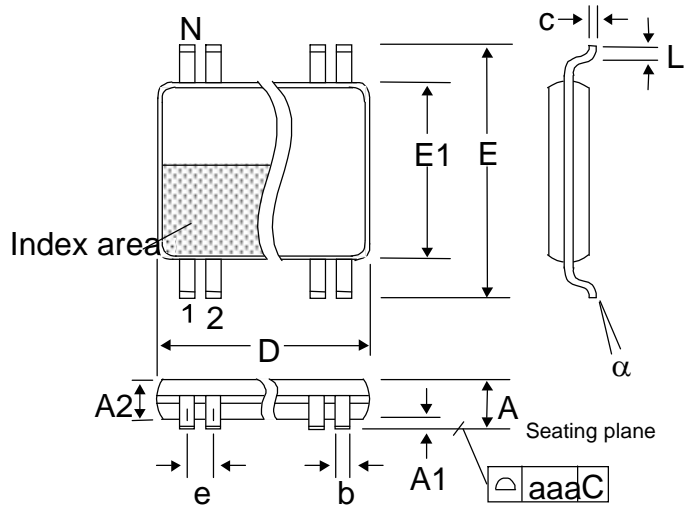
Setup and hold times







rev 2.0
 Package Dimensions (48- Pin TSSOP)



6.10 mm (240 mil) body,
 0.50 mm (0.020 mil) pitch TSSOP

Symbol	Millimeters		Inches	
	Min	Max	Min	Max
A	–	1.20	–	0.047
A1	0.05	0.15	0.002	0.006
A2	0.80	1.05	0.32	0.041
b	0.17	0.27	0.007	0.011
c	0.09	0.20	0.0035	0.008
D	See variations below			
E	8.10 basic		0.319 basic	
E1	6.00	6.20	0.236	0.244
e	0.50 basic		0.020 basic	
L	0.45	0.75	0.018	0.030
N	See variations below			
a	0°	8°	0°	8°
aaa	–	0.10	–	0.004

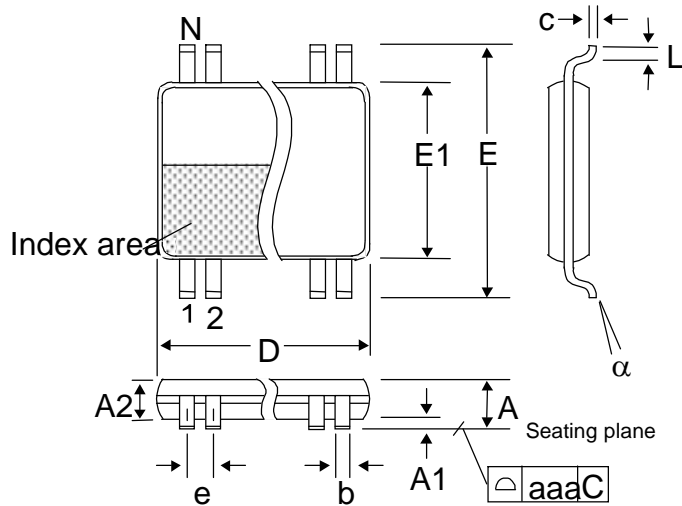
Variations:

N	D (mm)		D (inch)	
	Min	Max	Min	Max
48	12.40	12.60	0.488	0.496



rev 2.0

Package Dimensions (Alternate size)



4.40 mm (173 mil) body,
0.40 mm (16 mil) pitch TVSOP

Symbol	Millimeters		Inches	
	Min	Max	Min	Max
A	–	1.20	–	0.047
A1	0.05	0.15	0.002	0.006
A2	0.80	1.05	0.32	0.041
b	0.13	0.23	0.005	0.009
c	0.09	0.20	0.0035	0.008
D	See variations below			
E	6.40 basic		0.252 basic	
E1	4.30	4.50	0.169	0.177
e	0.40 basic		0.016 basic	
L	0.45	0.75	0.018	0.030
N	See variations below			
a	0°	8°	0°	8°
aaa	–	0.08	–	0.003

Variations

N	D (mm)		D (inch)	
	Min	Max	Min	Max
48	9.60	9.80	0.378	0.386

**Ordering Codes**

Ordering Number	Marking	Package Type	Quantity per reel	Temperature
ASM4SSTVF16857-48TT	AS4SSTVF16857T	48-pin TSSOP, tube		0°C to 70°C
ASM4SSTVF16857-48TR	AS4SSTVF16857T	48-pin TSSOP, tape and reel	2500	0°C to 70°C
ASM4SSTVF16857-48VT	AS4SSTVF16857V	48-pin TVSOP, tube		0°C to 70°C
ASM4SSTVF16857-48VR	AS4SSTVF16857V	48-pin TVSOP, tape and reel	2500	0°C to 70°C



Alliance Semiconductor Corporation
2595, Augustine Drive,
Santa Clara, CA 95054
Tel# 408-855-4900
Fax: 408-855-4999
www.alsc.com

Copyright © Alliance Semiconductor
All Rights Reserved
Advance Information
Part Number: ASM4SSTVF16857
Document Version: v2.0

© Copyright 2004 Alliance Semiconductor Corporation. All rights reserved. Our three-point logo, our name and Intelliwatt are trademarks or registered trademarks of Alliance. All other brand and product names may be the trademarks of their respective companies. Alliance reserves the right to make changes to this document and its products at any time without notice. Alliance assumes no responsibility for any errors that may appear in this document. The data contained herein represents Alliance's best data and/or estimates at the time of issuance. Alliance reserves the right to change or correct this data at any time, without notice. If the product described herein is under development, significant changes to these specifications are possible. The information in this product data sheet is intended to be general descriptive information for potential customers and users, and is not intended to operate as, or provide, any guarantee or warrantee to any user or customer. Alliance does not assume any responsibility or liability arising out of the application or use of any product described herein, and disclaims any express or implied warranties related to the sale and/or use of Alliance products including liability or warranties related to fitness for a particular purpose, merchantability, or infringement of any intellectual property rights, except as expressly agreed to in Alliance's Terms and Conditions of Sale (which are available from Alliance). All sales of Alliance products are made exclusively according to Alliance's Terms and Conditions of Sale. The purchase of products from Alliance does not convey a license under any patent rights, copyrights; mask works rights, trademarks, or any other intellectual property rights of Alliance or third parties. Alliance does not authorize its products for use as critical components in life-supporting systems where a malfunction or failure may reasonably be expected to result in significant injury to the user, and the inclusion of Alliance products in such life-supporting systems implies that the manufacturer assumes all risk of such use and agrees to indemnify Alliance against all claims arising from such use.

