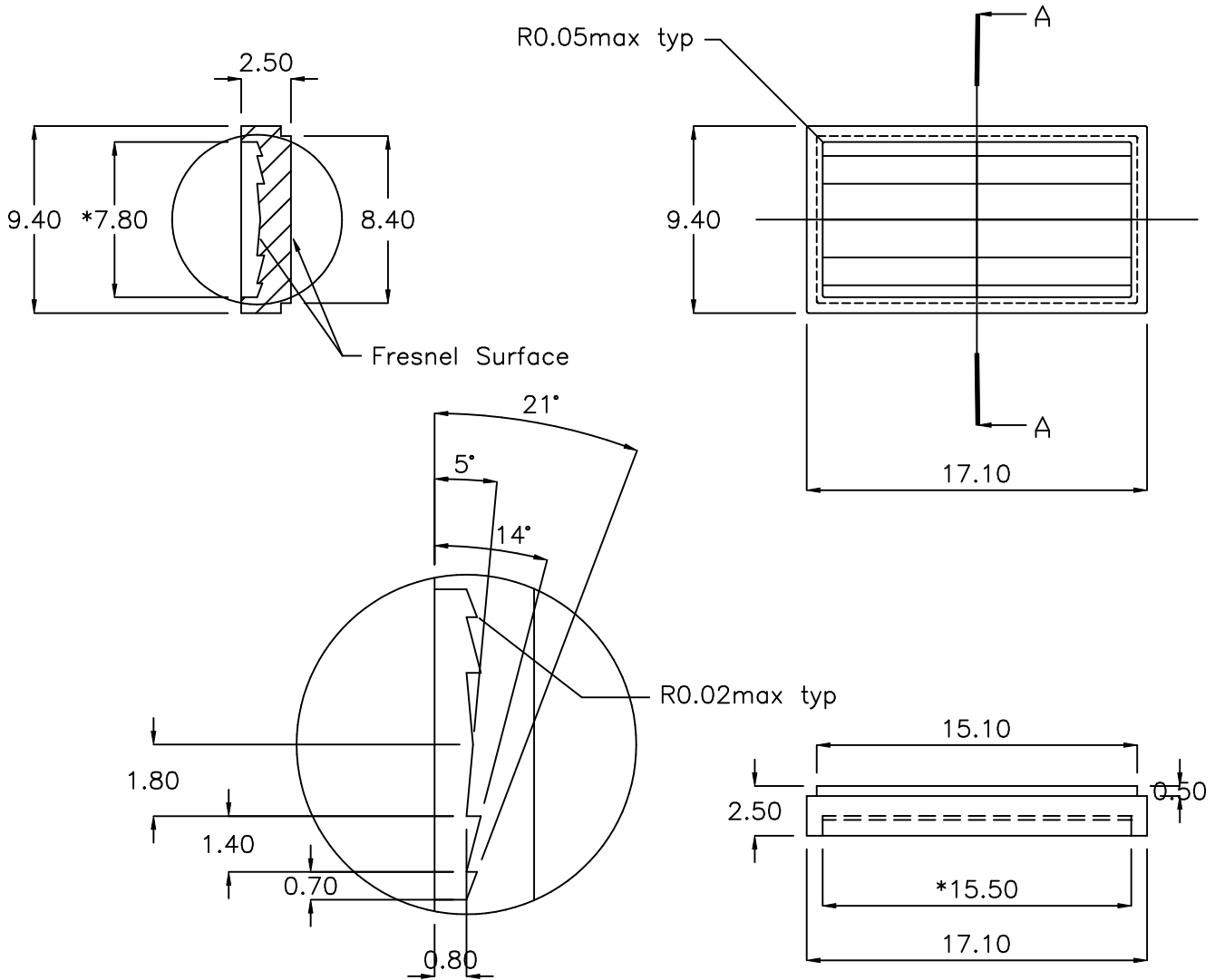


MECHANICAL DATA



General Surface Finishing SPE-SP1 #3
 All Fresnel Surface Finishing SPE-SP1 #1
 General Tol. : ±0.1
 * Tol. : ±0.03
 Mat'l : Droglas

				Number of sheets 1	Sheet no. 1
				Date 23.07.02	Sign. KDENNIS
				Drawn by	
				Checked by	
				Type FLASH SHIELD 201118	
Index	Changes	Date	Sign.		



47 Ayer Rajah Crescent #06-05
 Singapore 139947
 Tel : (065) 7752022
 Fax : (065) 7782370