

HIGH PERFORMANCE	40	45	50	60
Max. $\overline{\text{RAS}}$ Access Time, ( $t_{\text{RAC}}$ )	40 ns	45 ns	50 ns	60 ns
Max. Column Address Access Time, ( $t_{\text{CAA}}$ )	20 ns	22 ns	24 ns	30 ns
Min. Fast Page Mode Cycle Time, ( $t_{\text{PC}}$ )	23 ns	25 ns	28 ns	40 ns
Min. Read/Write Cycle Time, ( $t_{\text{RC}}$ )	75 ns	80 ns	90 ns	120 ns

**Features**

- 1M x 8-bit organization
- Fast Page Mode for a sustained data rate of 43 MHz
- $\overline{\text{RAS}}$  access time: 40, 45, 50, 60 ns
- Read-Modify-Write,  $\overline{\text{RAS}}$ -Only Refresh,  $\overline{\text{CAS}}$ -Before- $\overline{\text{RAS}}$  Refresh capability
- Refresh Interval: 1024 cycle/16 ms
- Available in 28-pin 400 mil SOJ package
- Single +5V  $\pm$ 10% Power Supply
- TTL Interface

**Description**

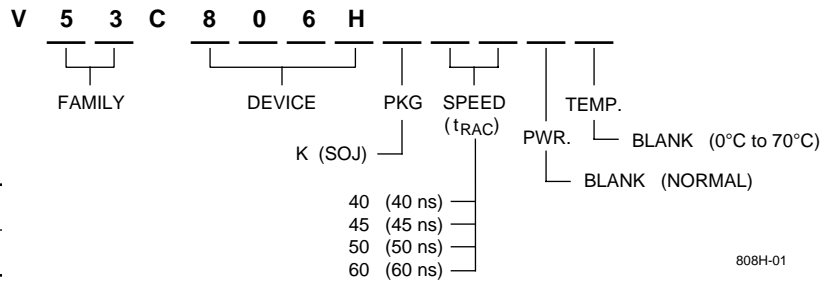
The V53C806H is a ultra high speed 1,048,576 x 8 bit CMOS dynamic random access memory. The V53C806H offers a combination of features: Fast Page Mode for high data bandwidth, and Low CMOS standby current.

All inputs and outputs are TTL compatible. Input and output capacitances are significantly lowered to allow increased system performance. Fast Page Mode operation allows random access of up to 1024 x 8 bits within a row with cycle times as fast as 23 ns. Because of static circuitry, the  $\overline{\text{CAS}}$  clock is not in the critical timing path. The flow-through column address latches allow address pipelining while relaxing many critical system timing requirements.

The V53C806H is ideally suited for graphics, digital signal processing and high-performance computing systems.

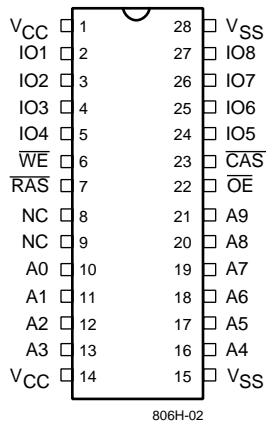
**Device Usage Chart**

Operating Temperature Range	Package Outline	Access Time (ns)				Power	Temperature Mark
	K	40	45	50	60	Std.	
0°C to 70 °C	•	•	•	•	•	•	Blank



Description	Pkg.	Pin Count
SOJ	K	28

**28-Pin SOJ  
PIN CONFIGURATION  
Top View**



**Pin Names**

A <sub>0</sub> -A <sub>9</sub>	Address Inputs
RAS	Row Address Strobe
CAS	Column Address Strobe
WE	Write Enable
OE	Output Enable
I/O <sub>1</sub> -I/O <sub>8</sub>	Data Input, Output
V <sub>CC</sub>	+5V Supply
V <sub>SS</sub>	0V Supply
NC	No Connect

**Absolute Maximum Ratings\***

Ambient Temperature

- Under Bias.....-10°C to +80°C
- Storage Temperature (plastic).....-55°C to +125°C
- Voltage Relative to V<sub>SS</sub>.....-1.0 V to +7.0 V
- Data Output Current..... 50 mA
- Power Dissipation..... 1.4 W

\*Note: Operation above Absolute Maximum Ratings can adversely affect device reliability.

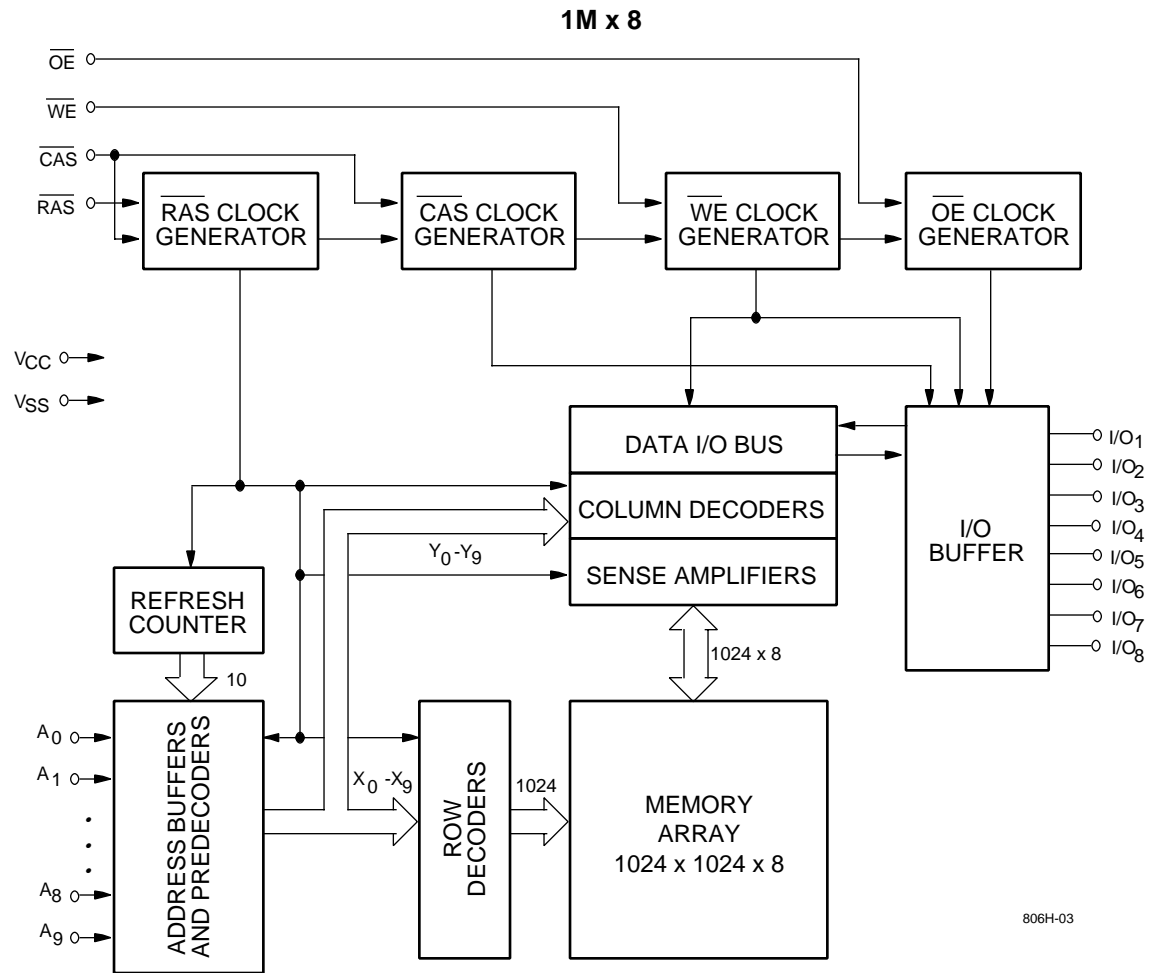
**Capacitance\***

T<sub>A</sub> = 25°C, V<sub>CC</sub> = 5 V ± 10%, f = 1 MHz

Symbol	Parameter	Typ.	Max.	Unit
C <sub>IN1</sub>	Address Input	3	4	pF
C <sub>IN2</sub>	RAS, CAS, WE, OE	4	5	pF
C <sub>OUT</sub>	Data Input/Output	5	7	pF

\* Note: Capacitance is sampled and not 100% tested

**Block Diagram**



806H-03

**DC and Operating Characteristics**

$T_A = 0^\circ\text{C}$  to  $70^\circ\text{C}$ ,  $V_{CC} = 5\text{ V} \pm 10\%$ ,  $V_{SS} = 0\text{ V}$ , unless otherwise specified.

Symbol	Parameter	Access Time	V53C806H			Unit	Test Conditions	Notes
			Min.	Typ.	Max.			
$I_{LI}$	Input Leakage Current (any input pin)		-10		10	$\mu\text{A}$	$V_{SS} \leq V_{IN} \leq V_{CC}$	
$I_{LO}$	Output Leakage Current (for High-Z State)		-10		10	$\mu\text{A}$	$V_{SS} \leq V_{OUT} \leq V_{CC}$ $\overline{\text{RAS}}, \overline{\text{CAS}}$ at $V_{IH}$	
$I_{CC1}$	$V_{CC}$ Supply Current, Operating	40			220	mA	$t_{RC} = t_{RC}(\text{min.})$	1, 2
		45			210			
		50			200			
		60			190			
$I_{CC2}$	$V_{CC}$ Supply Current, TTL Standby				4	mA	$\overline{\text{RAS}}, \overline{\text{CAS}}$ at $V_{IH}$ other inputs $\geq V_{SS}$	
$I_{CC3}$	$V_{CC}$ Supply Current, $\overline{\text{RAS}}$ -Only Refresh	40			220	mA	$t_{RC} = t_{RC}(\text{min.})$	2
		45			210			
		50			200			
		60			190			
$I_{CC4}$	$V_{CC}$ Supply Current, Fast Page Mode Operation	40			110	mA	Minimum cycle	1, 2
		45			100			
		50			90			
		60			80			
$I_{CC5}$	$V_{CC}$ Supply Current, Standby, Output Enabled				2.0	mA	$\overline{\text{RAS}} = V_{IH}, \overline{\text{CAS}} = V_{IL}$ other inputs $\geq V_{SS}$	1
$I_{CC6}$	$V_{CC}$ Supply Current, CMOS Standby				2.0	mA	$\overline{\text{RAS}} \geq V_{CC} - 0.2\text{ V},$ $\overline{\text{CAS}} \geq V_{CC} - 0.2\text{ V},$ All other inputs $\geq V_{SS}$	
$V_{CC}$	Supply Voltage		4.5	5.0	5.5	V		
$V_{IL}$	Input Low Voltage		-1		0.8	V		3
$V_{IH}$	Input High Voltage		2.4		$V_{CC} + 1$	V		3
$V_{OL}$	Output Low Voltage				0.4	V	$I_{OL} = 4.2\text{ mA}$	
$V_{OH}$	Output High Voltage		2.4			V	$I_{OH} = -5\text{ mA}$	

**AC Characteristics**

$T_A = 0^\circ\text{C}$  to  $70^\circ\text{C}$ ,  $V_{CC} = 5\text{ V} \pm 10\%$ ,  $V_{SS} = 0\text{V}$  unless otherwise noted

AC Test conditions, input pulse levels 0 to 3V

#	Symbol	Parameter	40		45		50		60		Unit	Notes
			Min.	Max.	Min.	Max.	Min.	Max.	Min.	Max.		
1	$t_{RAS}$	$\overline{RAS}$ Pulse Width	40	75K	45	75K	50	75K	60	75K	ns	
2	$t_{RC}$	Read or Write Cycle Time	75		80		90		110		ns	
3	$t_{RP}$	$\overline{RAS}$ Precharge Time	25		25		30		40		ns	
4	$t_{CSH}$	$\overline{CAS}$ Hold Time	40		45		50		60		ns	
5	$t_{CAS}$	$\overline{CAS}$ Pulse Width	12		13		14		15		ns	
6	$t_{RCD}$	$\overline{RAS}$ to $\overline{CAS}$ Delay	17	28	18	32	19	36	20	43	ns	
7	$t_{RCS}$	Read Command Setup Time	0		0		0		0		ns	4
8	$t_{ASR}$	Row Address Setup Time	0		0		0		0		ns	
9	$t_{RAH}$	Row Address Hold Time	7		8		9		10		ns	
10	$t_{ASC}$	Column Address Setup Time	0		0		0		0		ns	
11	$t_{CAH}$	Column Address Hold Time	5		6		7		10		ns	
12	$t_{RSH (R)}$	$\overline{RAS}$ Hold Time (Read Cycle)	12		13		14		15		ns	
13	$t_{CRP}$	$\overline{CAS}$ to $\overline{RAS}$ Precharge Time	5		5		5		5		ns	
14	$t_{RCH}$	Read Command Hold Time Referenced to $\overline{CAS}$	0		0		0		0		ns	5
15	$t_{RRH}$	Read Command Hold Time Referenced to $\overline{RAS}$	0		0		0		0		ns	5
16	$t_{ROH}$	$\overline{RAS}$ Hold Time Referenced to $\overline{OE}$	8		9		10		10		ns	
17	$t_{OAC}$	Access Time from $\overline{OE}$		12		13		14		17	ns	
18	$t_{CAC}$	Access Time from $\overline{CAS}$		12		13		14		17	ns	6, 7
19	$t_{RAC}$	Access Time from $\overline{RAS}$		40		45		50		60	ns	6, 8, 9
20	$t_{CAA}$	Access Time from Column Address		20		22		24		30	ns	6, 7, 10
21	$t_{LZ}$	$\overline{CAS}$ to Low-Z Output	0		0		0		0		ns	16
22	$t_{HZ}$	Output buffer turn-off delay time	0	6	0	7	0	8	0	10	ns	16
23	$t_{AR}$	Column Address Hold Time from $\overline{RAS}$	30		35		40		45		ns	
24	$t_{RAD}$	$\overline{RAS}$ to Column Address Delay Time	12	20	13	23	14	26	15	30	ns	11
25	$t_{RSH (W)}$	$\overline{RAS}$ or $\overline{CAS}$ Hold Time in Write Cycle	12		13		14		15		ns	
26	$t_{CWL}$	Write Command to $\overline{CAS}$ Lead Time	12		13		14		15		ns	
27	$t_{WCS}$	Write Command Setup Time	0		0		0		0		ns	12, 13
28	$t_{WCH}$	Write Command Hold Time	5		6		7		10		ns	
29	$t_{WP}$	Write Pulse Width	5		6		7		10		ns	

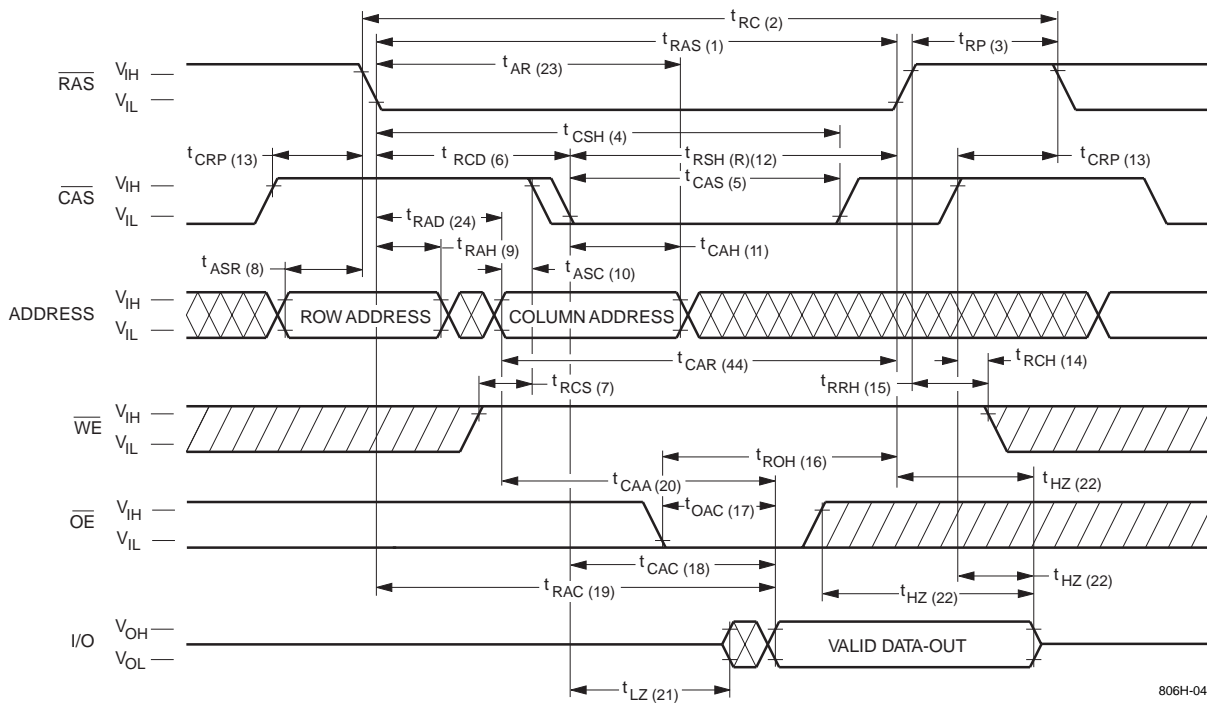
**AC Characteristics** (Cont'd)

#	Symbol	Parameter	40		45		50		60		Unit	Notes
			Min.	Max.	Min.	Max.	Min.	Max.	Min.	Max.		
30	$t_{WCR}$	Write Command Hold Time from $\overline{RAS}$	30		35		40		45		ns	
31	$t_{RWL}$	Write Command to $\overline{RAS}$ Lead Time	12		13		14		15		ns	
32	$t_{DS}$	Data in Setup Time	0		0		0		0		ns	14
33	$t_{DH}$	Data in Hold Time	5		6		7		10		ns	14
34	$t_{WOH}$	Write to $\overline{OE}$ Hold Time	6		7		8		10		ns	14
35	$t_{OED}$	$\overline{OE}$ to Data Delay Time	6		7		8		10		ns	14
36	$t_{RWC}$	Read-Modify-Write Cycle Time	110		115		130		170		ns	
37	$t_{RRW}$	Read-Modify-Write Cycle $\overline{RAS}$ Pulse Width	75		80		87		105		ns	
38	$t_{CWD}$	$\overline{CAS}$ to $\overline{WE}$ Delay	30		32		34		40		ns	12
39	$t_{RWD}$	$\overline{RAS}$ to $\overline{WE}$ Delay in Read-Modify-Write Cycle	58		62		68		85		ns	12
40	$t_{CRW}$	$\overline{CAS}$ Pulse Width (RMW)	48		50		52		65		ns	
41	$t_{AWD}$	Col. Address to $\overline{WE}$ Delay	38		41		42		58		ns	12
42	$t_{PC}$	Fast Page Mode Read or Write Cycle Time	23		25		28		40		ns	
43	$t_{CP}$	$\overline{CAS}$ Precharge Time	5		6		7		8		ns	
44	$t_{CAR}$	Column Address to $\overline{RAS}$ Setup Time	20		22		24		30		ns	
45	$t_{CAP}$	Access Time from Column Precharge		23		25		27		34	ns	7
46	$t_{DHR}$	Data in Hold Time Referenced to $\overline{RAS}$	30		35		40		50		ns	
47	$t_{CSR}$	$\overline{CAS}$ Setup Time $\overline{CAS}$ -before- $\overline{RAS}$ Refresh	10		10		10		10		ns	
48	$t_{RPC}$	$\overline{RAS}$ to $\overline{CAS}$ Precharge Time	0		0		0		0		ns	
49	$t_{CHR}$	$\overline{CAS}$ Hold Time $\overline{CAS}$ -before- $\overline{RAS}$ Refresh	8		10		12		15		ns	
50	$t_{PCM}$	Fast Page Mode Read-Modify-Write Cycle Time	60		65		70		85		ns	
51	$t_T$	Transition Time (Rise and Fall)	3	50	3	50	3	50	3	50	ns	15
52	$t_{REF}$	Refresh Interval (1024 Cycles)		16		16		16		16	ms	

**Notes:**

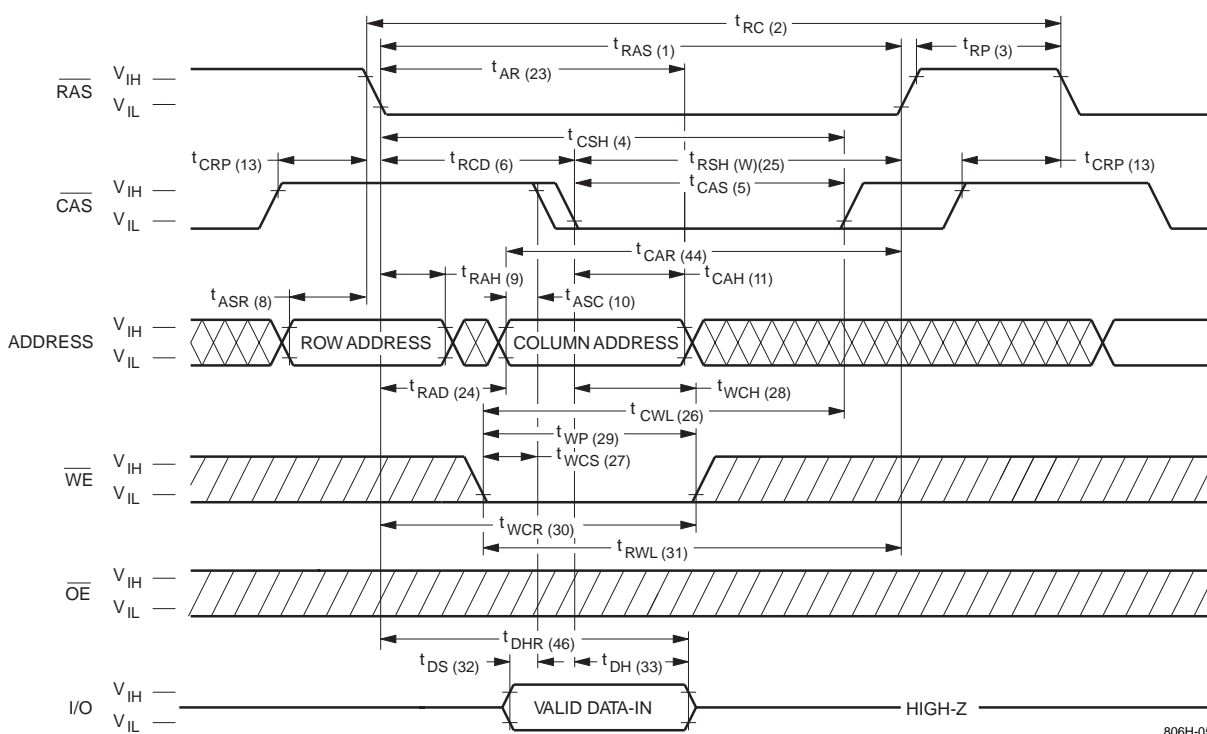
1.  $I_{CC}$  is dependent on output loading when the device output is selected. Specified  $I_{CC}$  (max.) is measured with the output open.
2.  $I_{CC}$  is dependent upon the number of address transitions. Specified  $I_{CC}$  (max.) is measured with a maximum of two transitions per address cycle in Fast Page Mode.
3. Specified  $V_{IL}$  (min.) is steady state operating. During transitions,  $V_{IL}$  (min.) may undershoot to  $-1.0$  V for a period not to exceed 20 ns. All AC parameters are measured with  $V_{IL}$  (min.)  $\geq V_{SS}$  and  $V_{IH}$  (max.)  $\leq V_{CC}$ .
4.  $t_{RCD}$  (max.) is specified for reference only. Operation within  $t_{RCD}$  (max.) limits insures that  $t_{RAC}$  (max.) and  $t_{CAA}$  (max.) can be met. If  $t_{RCD}$  is greater than the specified  $t_{RCD}$  (max.), the access time is controlled by  $t_{CAA}$  and  $t_{CAC}$ .
5. Either  $t_{RRH}$  or  $t_{RCH}$  must be satisfied for a Read Cycle to occur.
6. Measured with a load equivalent to two TTL inputs and 50 pF.
7. Access time is determined by the longest of  $t_{CAA}$ ,  $t_{CAC}$  and  $t_{CAP}$ .
8. Assumes that  $t_{RAD} \leq t_{RAD}$  (max.). If  $t_{RAD}$  is greater than  $t_{RAD}$  (max.),  $t_{RAC}$  will increase by the amount that  $t_{RAD}$  exceeds  $t_{RAD}$  (max.).
9. Assumes that  $t_{RCD} \leq t_{RCD}$  (max.). If  $t_{RCD}$  is greater than  $t_{RCD}$  (max.),  $t_{RAC}$  will increase by the amount that  $t_{RCD}$  exceeds  $t_{RCD}$  (max.).
10. Assumes that  $t_{RAD} \geq t_{RAD}$  (max.).
11. Operation within the  $t_{RAD}$  (max.) limit ensures that  $t_{RAC}$  (max.) can be met.  $t_{RAD}$  (max.) is specified as a reference point only. If  $t_{RAD}$  is greater than the specified  $t_{RAD}$  (max.) limit, the access time is controlled by  $t_{CAA}$  and  $t_{CAC}$ .
12.  $t_{WCS}$ ,  $t_{RWD}$ ,  $t_{AWD}$  and  $t_{CWD}$  are not restrictive operating parameters.
13.  $t_{WCS}$  (min.) must be satisfied in an Early Write Cycle.
14.  $t_{DS}$  and  $t_{DH}$  are referenced to the latter occurrence of  $\overline{CAS}$  or  $\overline{WE}$ .
15.  $t_T$  is measured between  $V_{IH}$  (min.) and  $V_{IL}$  (max.). AC-measurements assume  $t_T = 3$  ns .
16. Assumes a three-state test load (5 pF and a 380 Ohm Thevenin equivalent).
17. An initial 200  $\mu$ s pause and 8  $\overline{RAS}$ -containing cycles are required when exiting an extended period of bias without clocks. An extended period of time without clocks is defined as one that exceeds the specified Refresh Interval.

Waveforms of Read Cycle



806H-04

Waveforms of Early Write Cycle

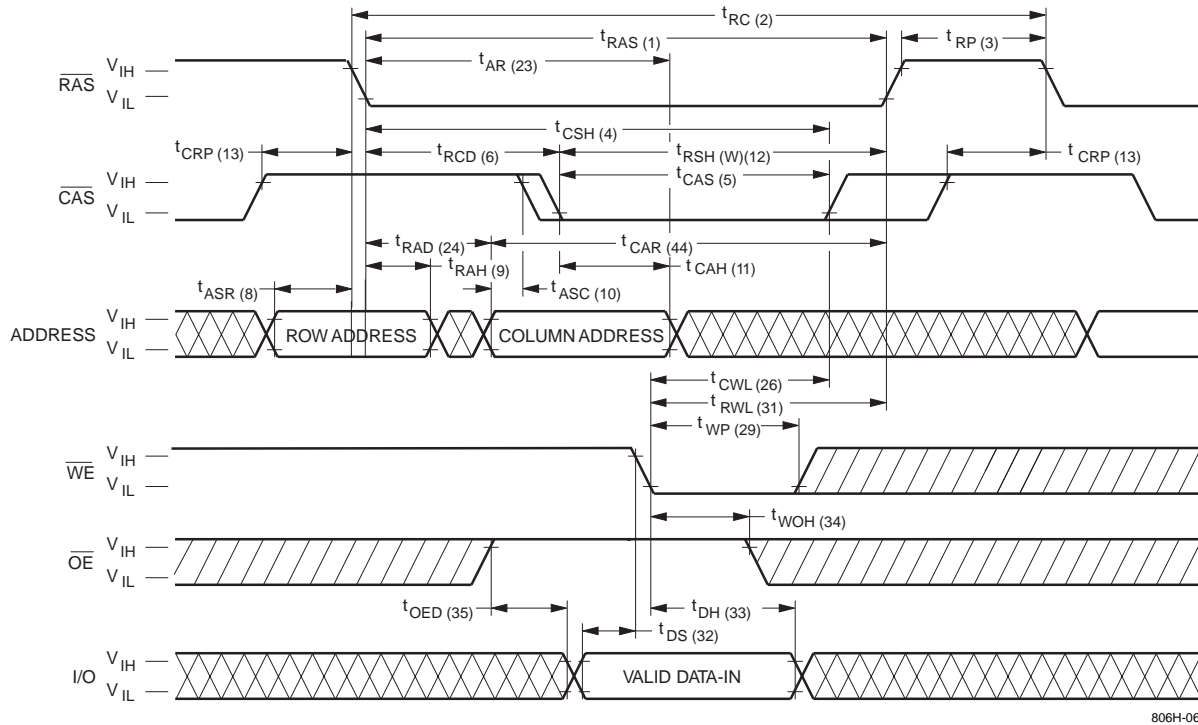


806H-05

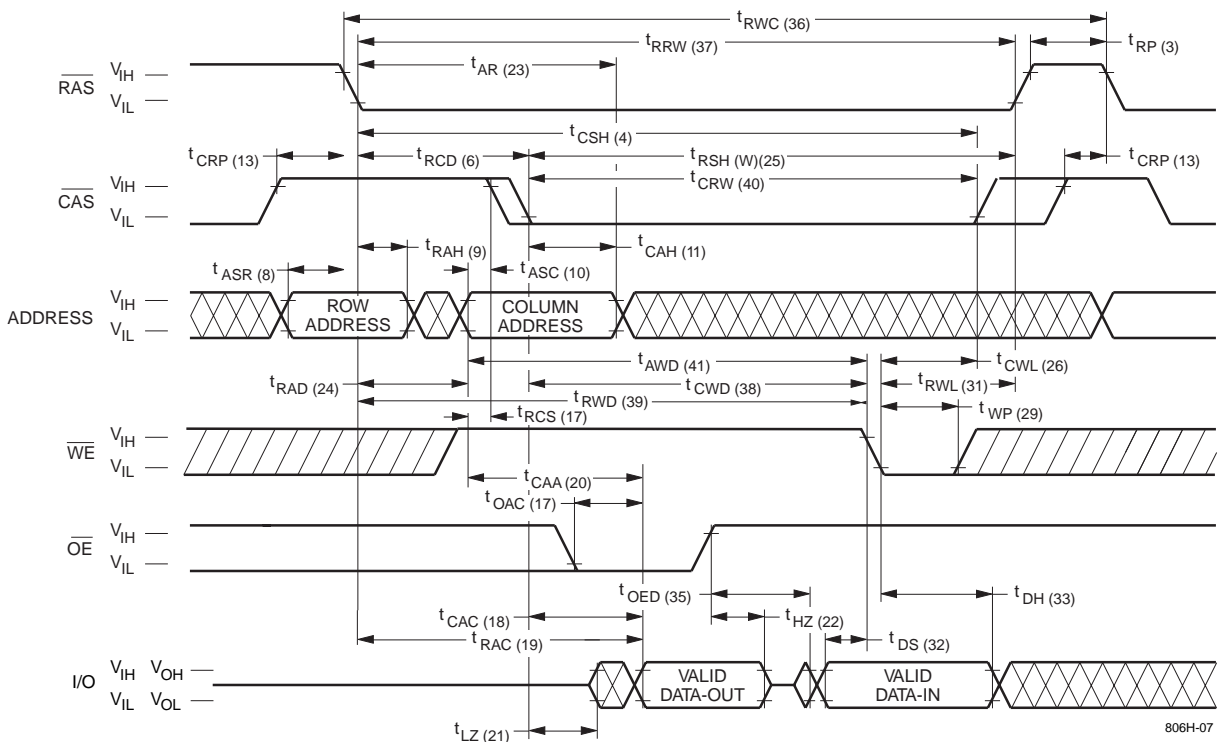
XXXX Don't Care    YYYY Undefined



Waveforms of  $\overline{OE}$ -Controlled Write Cycle

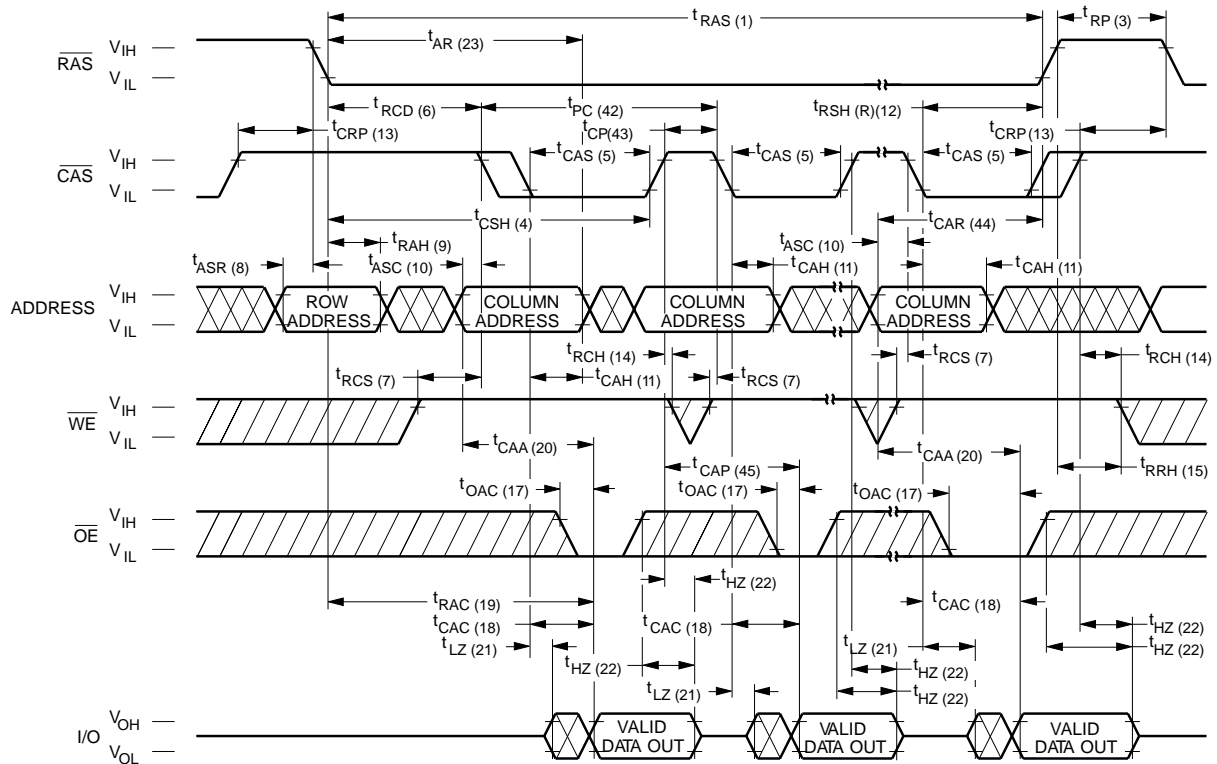


Waveforms of Read-Modify-Write Cycle



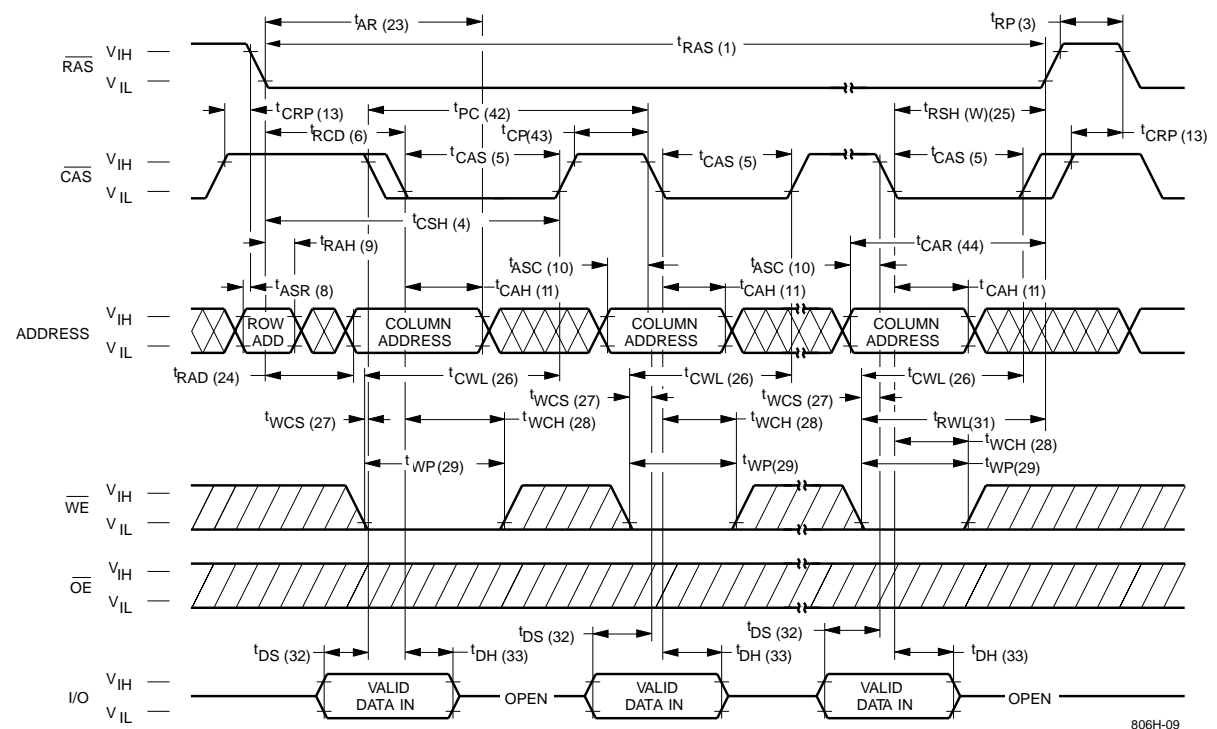
XXXX Don't Care    / / / Undefined

Waveforms of Fast Page Mode Read Cycle



806H-08

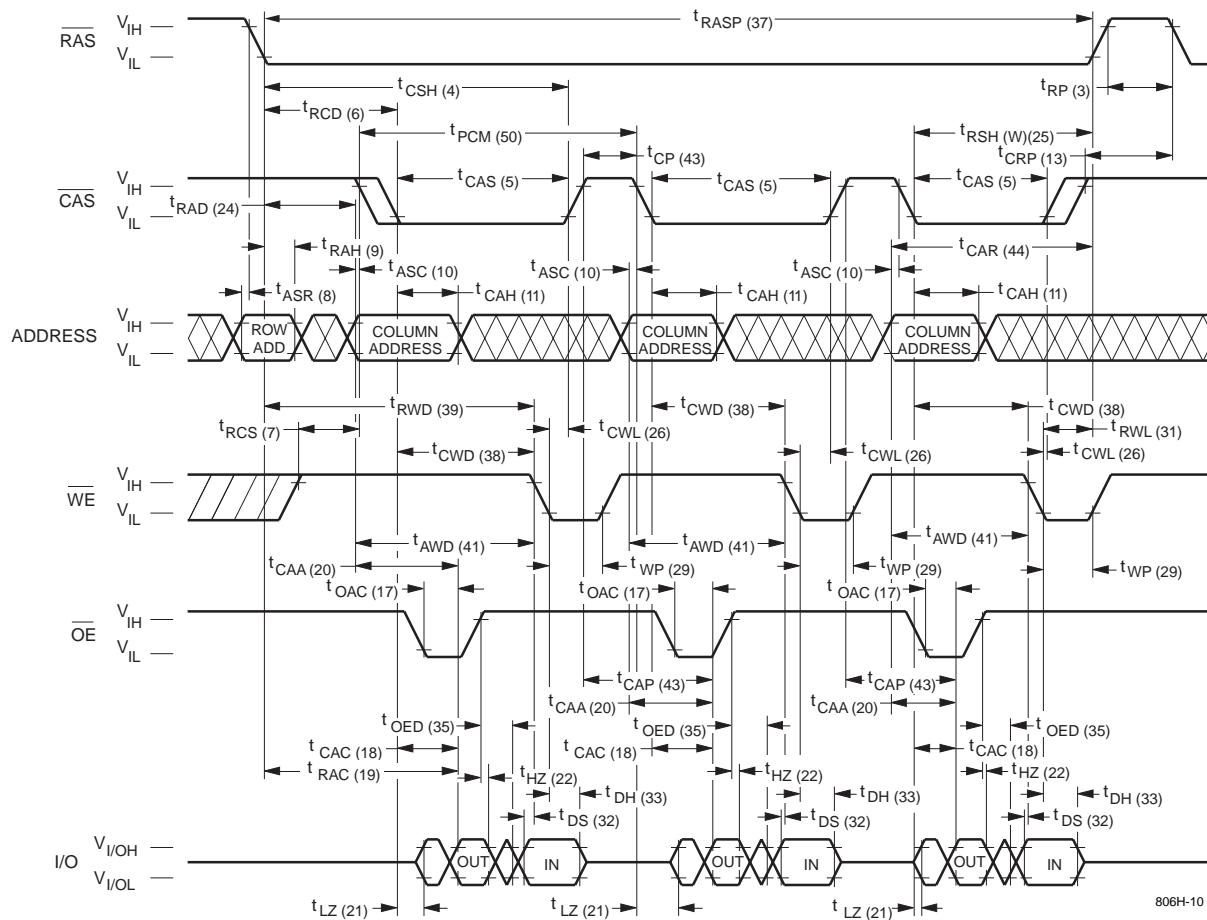
Waveforms of Fast Page Mode Write Cycle



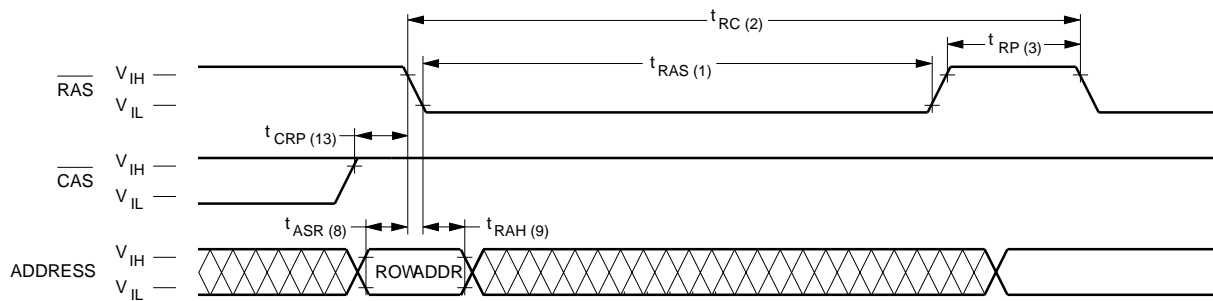
806H-09

⊗ Don't Care    ▨ Undefined

**Waveforms of Fast Page Mode Read-Write Cycle**



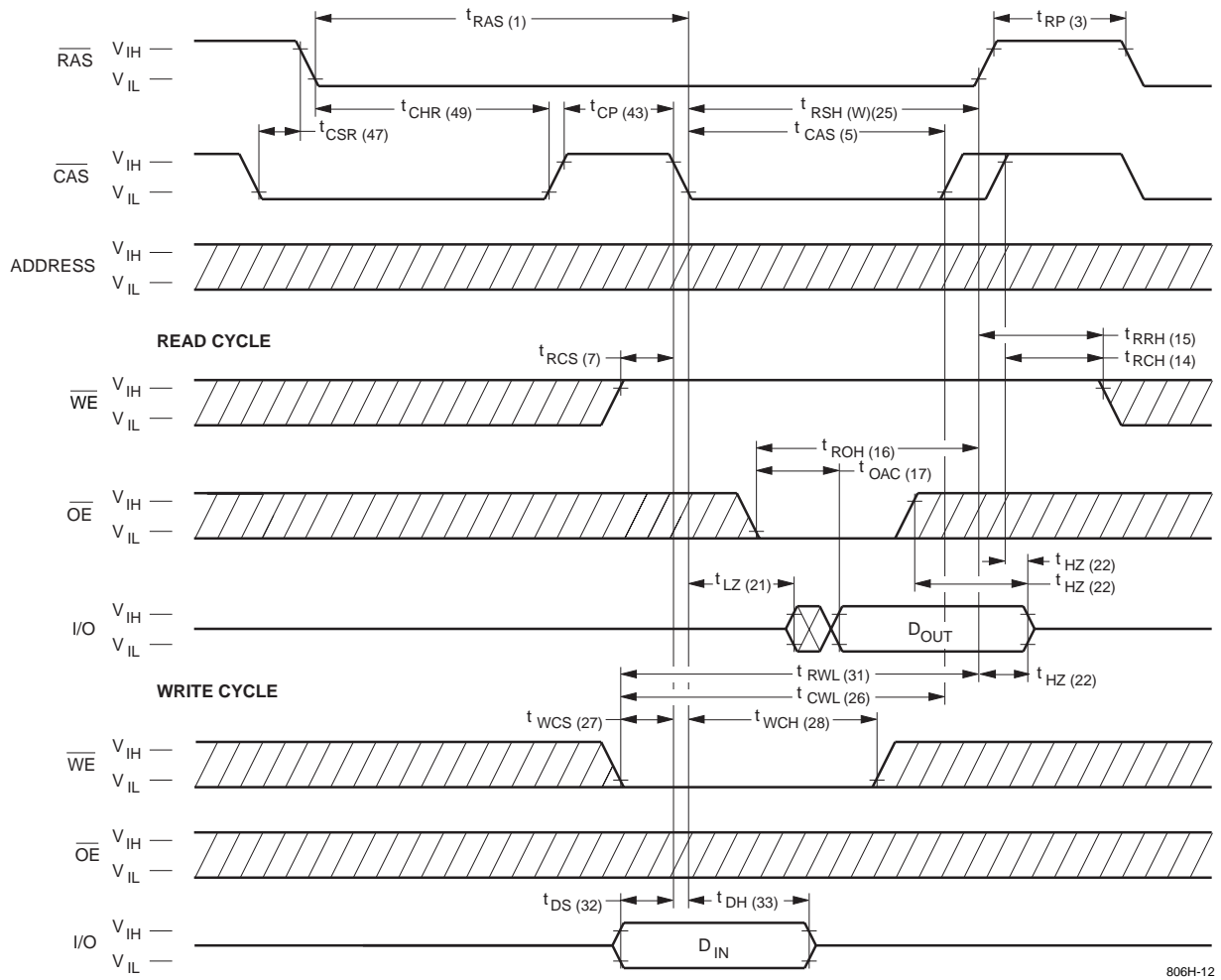
**Waveforms of RAS-Only Refresh Cycle**



NOTE:  $\overline{WE}$ ,  $\overline{OE}$  = Don't care

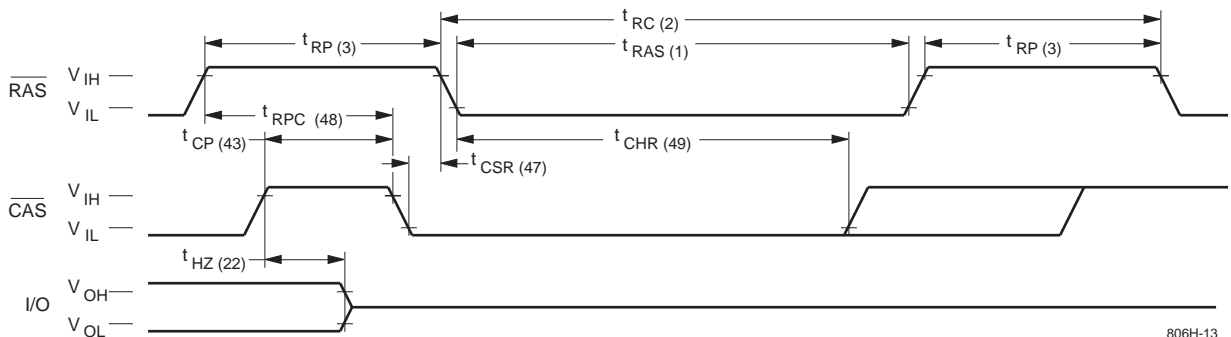
⊗ Don't Care    ▨ Undefined

**Waveforms of  $\overline{\text{CAS}}$ -before- $\overline{\text{RAS}}$  Refresh Counter Test Cycle**



806H-12

**Waveforms of  $\overline{\text{CAS}}$ -before- $\overline{\text{RAS}}$  Refresh Cycle**

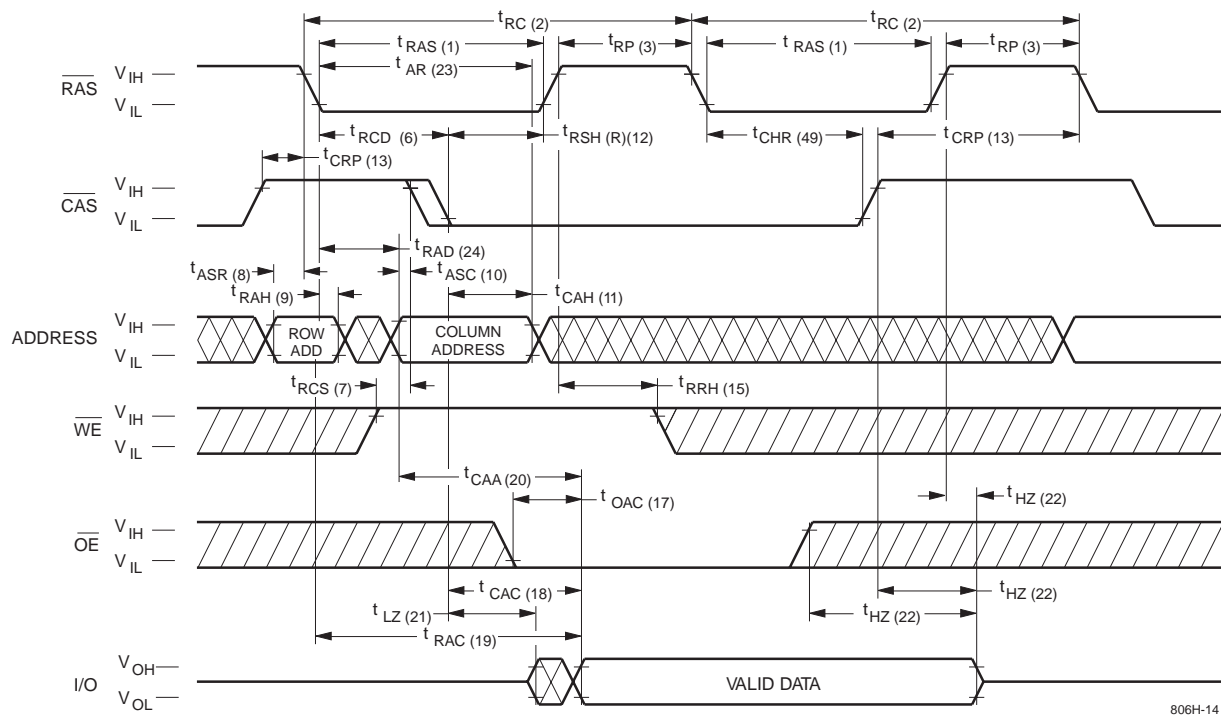


806H-13

NOTE:  $\overline{\text{WE}}$ ,  $\overline{\text{OE}}$ ,  $A_0$ - $A_9$  = Don't care

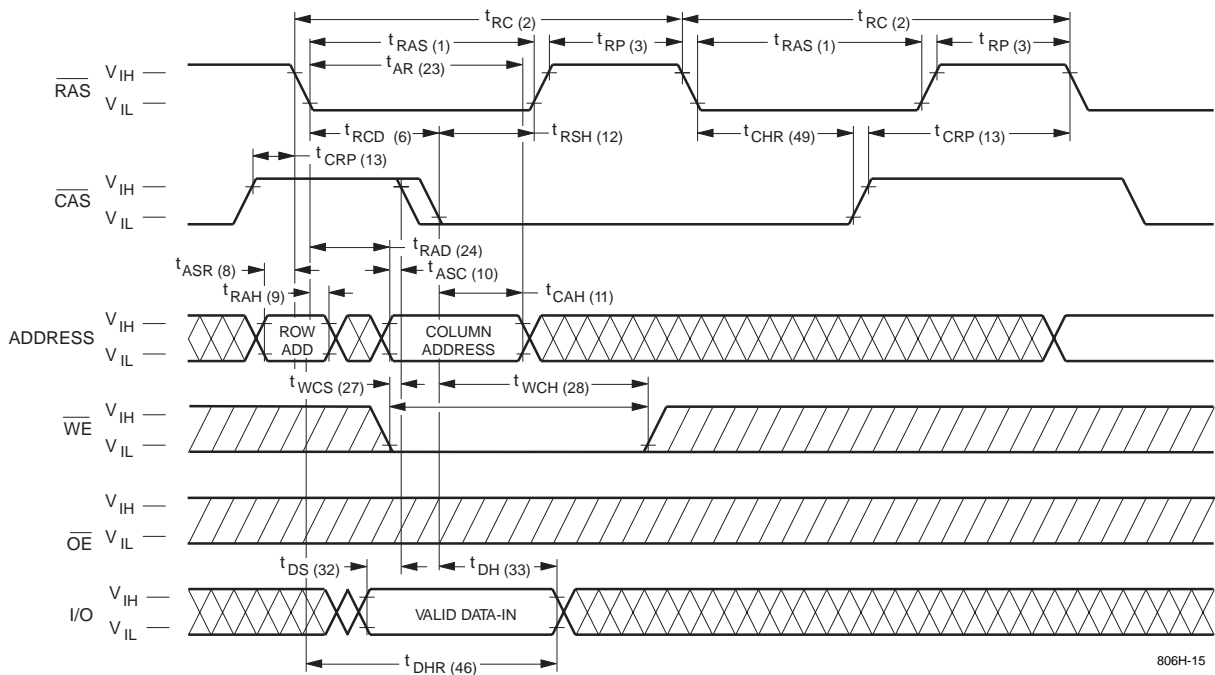
⊗ Don't Care    ▨ Undefined

**Waveforms of Hidden Refresh Cycle (Read)**



806H-14

**Waveforms of Hidden Refresh Cycle (Write)**



806H-15

⊗ Don't Care    ▨ Undefined

### Functional Description

The V53C806H is a CMOS dynamic RAM optimized for high data bandwidth, low power applications. It is functionally similar to a traditional dynamic RAM. The V53C806H reads and writes data by multiplexing an 20-bit address into a 10-bit row and a 10-bit column address. The row address is latched by the Row Address Strobe ( $\overline{RAS}$ ). The column address “flows through” an internal address buffer and is latched by the Column Address Strobe ( $\overline{CAS}$ ). Because access time is primarily dependent on a valid column address rather than the precise time that the  $\overline{CAS}$  edge occurs, the delay time from  $\overline{RAS}$  to  $\overline{CAS}$  has little effect on the access time.

### Memory Cycle

A memory cycle is initiated by bringing  $\overline{RAS}$  low. Any memory cycle, once initiated, must not be ended or aborted before the minimum  $t_{RAS}$  time has expired. This ensures proper device operation and data integrity. A new cycle must not be initiated until the minimum precharge time  $t_{RP}/t_{CP}$  has elapsed.

### Read Cycle

A Read cycle is performed by holding the Write Enable ( $\overline{WE}$ ) signal High during a  $\overline{RAS}/\overline{CAS}$  operation. The column address must be held for a minimum specified by  $t_{AR}$ . Data Out becomes valid only when  $t_{OAC}$ ,  $t_{RAC}$ ,  $t_{CAA}$  and  $t_{CAC}$  are all satisfied. As a result, the access time is dependent on the timing relationships between these parameters. For example, the access time is limited by  $t_{CAA}$  when  $t_{RAC}$ ,  $t_{CAC}$  and  $t_{OAC}$  are all satisfied.

### Write Cycle

A Write Cycle is performed by taking  $\overline{WE}$  and  $\overline{CAS}$  low during a  $\overline{RAS}$  operation. The column address is latched by  $\overline{CAS}$ . The Write Cycle can be  $\overline{WE}$  controlled or  $\overline{CAS}$  controlled depending on whether  $\overline{WE}$  or  $\overline{CAS}$  falls later. Consequently, the input data must be valid at or before the falling edge of  $\overline{WE}$  or  $\overline{CAS}$ , whichever occurs last. In the  $\overline{CAS}$ -controlled Write Cycle, when the leading edge of  $\overline{WE}$  occurs prior to the  $\overline{CAS}$  low transition, the I/O data pins will be in the High-Z state at the beginning of the Write function. Ending the Write with  $\overline{RAS}$  or  $\overline{CAS}$  will maintain the output in the High-Z state.

In the  $\overline{WE}$  controlled Write Cycle,  $\overline{OE}$  must be in the high state and  $t_{OED}$  must be satisfied.

### Fast Page Mode Operation

Fast Page Mode operation permits all 1024 columns within a selected row of the device to be randomly accessed at a high data rate. Maintaining  $\overline{RAS}$  low while performing successive  $\overline{CAS}$  cycles retains the row address internally and eliminates the need to reapply it for each cycle. The column address buffer acts as a transparent or flow-through latch while  $\overline{CAS}$  is high. Thus, access begins from the occurrence of a valid column address rather than from the falling edge of  $\overline{CAS}$ , eliminating  $t_{ASC}$  and  $t_{\tau}$  from the critical timing path.  $\overline{CAS}$  latches the address into the column address buffer and acts as an output enable. During Fast Page Mode operation, Read, Write, Read-Modify-Write or Read-Write-Read cycles are possible at random addresses within a row. Following the initial entry cycle into Fast Page Mode, access is  $t_{CAA}$  or  $t_{CAP}$  controlled. If the column address is valid prior to the rising edge of  $\overline{CAS}$ , the access time is referenced to the  $\overline{CAS}$  rising edge and is specified by  $t_{CAP}$ . If the column address is valid after the rising  $\overline{CAS}$  edge, access is timed from the occurrence of a valid address and is specified by  $t_{CAA}$ . In both cases, the falling edge of  $\overline{CAS}$  latches the address and enables the output.

Fast Page Mode provides a sustained data rate of 43 MHz for applications that require high data rates such as bit-mapped graphics or high-speed signal processing. The following equation can be used to calculate the maximum data rate:

$$\text{Data Rate} = \frac{1024}{t_{RC} + 1023 \times t_{PC}}$$

### Data Output Operation

The V53C806H Input/Output is controlled by  $\overline{OE}$ ,  $\overline{CAS}$ ,  $\overline{WE}$  and  $\overline{RAS}$ . A  $\overline{RAS}$  low transition enables the transfer of data to and from the selected row address in the Memory Array. A  $\overline{RAS}$  high transition disables data transfer and latches the output data if the output is enabled. After a memory cycle is initiated with a  $\overline{RAS}$  low transition, a  $\overline{CAS}$  low transition enables the internal I/O path. A  $\overline{CAS}$  high transition or  $\overline{RAS}$  high transition, whichever occurs later, disables the I/O path and the output driver if it is enabled. A  $\overline{CAS}$  low transition while  $\overline{RAS}$  is high has no effect on the I/O data path or on the output drivers. The output drivers, when otherwise enabled, can be disabled by holding  $\overline{OE}$  high. The  $\overline{OE}$  signal

has no effect on any data stored in the output latches. A  $\overline{WE}$  low level can also disable the output drivers. During a Write cycle, if  $\overline{WE}$  goes low at a time when the  $\overline{CAS}$  is low, it is necessary to use  $\overline{OE}$  to disable the output drivers prior to the  $\overline{WE}$  low transition to allow Data In Setup Time ( $t_{DS}$ ) to be satisfied.

To retain data, 1024 Refresh Cycles are required in each 16 ms period. There are two ways to refresh the memory:

1. By clocking each of the 1024 row addresses ( $A_0$  through  $A_9$ ) with  $\overline{RAS}$  at least once every 16 ms. Any Read, Write, Read-Modify-Write or  $\overline{RAS}$ -only cycle refreshes the addressed row.
2. Using a  $\overline{CAS}$ -before- $\overline{RAS}$  Refresh Cycle. If  $\overline{CAS}$  makes a transition from low to high to low after the previous cycle and before  $\overline{RAS}$  falls,  $\overline{CAS}$ -before- $\overline{RAS}$  refresh is activated. The V53C806H uses the output of an internal 10-bit counter as the source of row addresses and ignore external address inputs.

$\overline{CAS}$ -before- $\overline{RAS}$  is a “refresh-only” mode and no data access or device selection is allowed. Thus, the output remains in the High-Z state during the cycle. A  $\overline{CAS}$ -before- $\overline{RAS}$  counter test mode is provided to ensure reliable operation of the internal refresh counter.

### Data Retention Mode

The V53C806H offers a CMOS standby mode that is entered by causing the  $\overline{RAS}$  clock to swing between a valid  $V_{IL}$  and an “extra high”  $V_{IH}$  within 0.2 V of  $V_{CC}$ . While the  $\overline{RAS}$  clock is at the extra high level, the V53C806H power consumption is reduced to the low  $I_{CC6}$  level. Overall  $I_{CC}$  consumption when operating in this mode can be calculated as follows:

$$I = \frac{(t_{RC}) \times (I_{CC1}) + (t_{RX} - t_{RC}) \times (I_{CC6})}{t_{RX}}$$

Where:  $t_{RC}$  = Refresh Cycle Time  
 $t_{RX}$  = Refresh Interval/1024

### Power-On

After application of the  $V_{CC}$  supply, an initial pause of 200  $\mu$ s is required followed by a minimum of 8 initialization cycles (any combination of cycles containing a  $\overline{RAS}$  clock). Eight initialization cycles are required after extended periods of bias without clocks (greater than the Refresh Interval).

During Power-On, the  $V_{CC}$  current requirement of the V53C806H is dependent on the input levels of  $\overline{RAS}$  and  $\overline{CAS}$ . If  $\overline{RAS}$  is low during Power-On, the device will go into an active cycle and  $I_{CC}$  will exhibit current transients. It is recommended that  $\overline{RAS}$  and  $\overline{CAS}$  track with  $V_{CC}$  or be held at a valid  $V_{IH}$  during Power-On to avoid current surges.

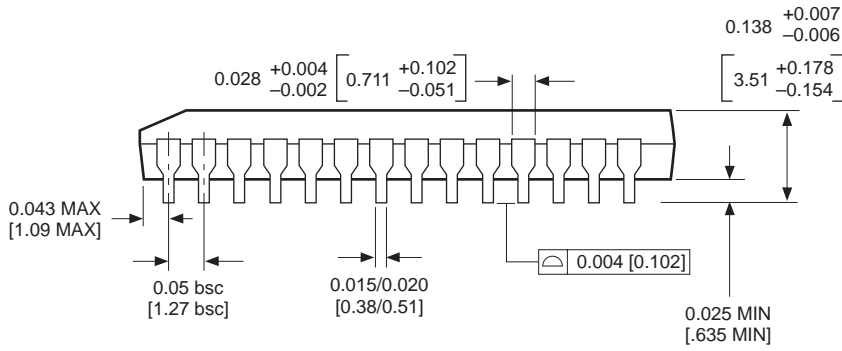
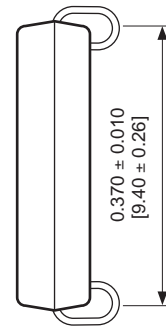
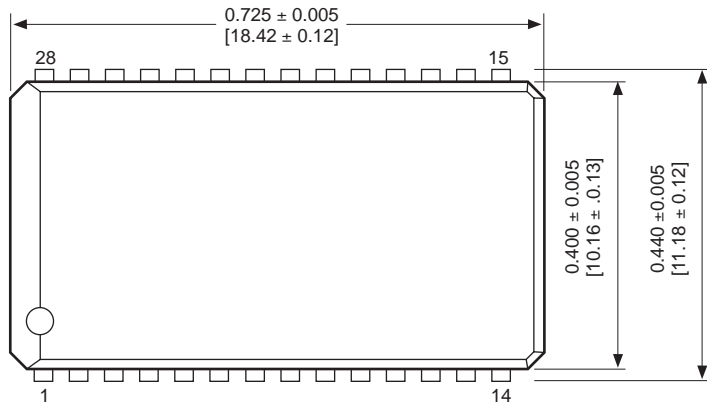
**Table 1. V53C806H Data Output Operation for Various Cycle Types**

Cycle Type	I/O State
Read Cycles	Data from Addressed Memory Cell
$\overline{CAS}$ -Controlled Write Cycle (Early Write)	High-Z
$\overline{WE}$ -Controlled Write Cycle (Late Write)	$\overline{OE}$ Controlled. High $\overline{OE}$ = High-Z I/Os
Read-Modify-Write Cycles	Data from Addressed Memory Cell
Fast Page Mode Read	Data from Addressed Memory Cell
Fast Page Mode Write Cycle (Early Write)	High-Z
Fast Read-Modify-Write Cycle	Data from Addressed Memory Cell
$\overline{RAS}$ -only Refresh	High-Z
$\overline{CAS}$ -before- $\overline{RAS}$ Refresh Cycle	Data remains as in previous cycles
$\overline{CAS}$ -only Cycles	High-Z

Package Diagrams

28-Pin Plastic SOJ

Unit in inches [mm]







**U.S.A.**

3910 NORTH FIRST STREET  
SAN JOSE, CA 95134  
PHONE: 408-433-6000  
FAX: 408-433-0185

**HONG KONG**

19 DAI FU STREET  
TAIPO INDUSTRIAL ESTATE  
TAIPO, NT, HONG KONG  
PHONE: 852-2665-4883  
FAX: 852-2664-7535

**TAIWAN**

7F, NO. 102  
MIN-CHUAN E. ROAD, SEC. 3  
TAIPEI  
PHONE: 886-2-2545-1213  
FAX: 886-2-2545-1209

1 CREATION ROAD I  
SCIENCE BASED IND. PARK  
HSIN CHU, TAIWAN, R.O.C.  
PHONE: 886-3-578-3344  
FAX: 886-3-579-2838

**JAPAN**

WBG MARINE WEST 25F  
6, NAKASE 2-CHOME  
MIHAMA-KU, CHIBA-SHI  
CHIBA 261-71  
PHONE: 81-43-299-6000  
FAX: 81-43-299-6555

**IRELAND & UK**

BLOCK A UNIT 2  
BROOMFIELD BUSINESS PARK  
MALAHIDE  
CO. DUBLIN, IRELAND  
PHONE: +353 1 8038020  
FAX: +353 1 8038049

**GERMANY**

**(CONTINENTAL  
EUROPE & ISRAEL )**  
71083 HERRENBERG  
BENZSTR. 32  
GERMANY  
PHONE: +49 7032 2796-0  
FAX: +49 7032 2796 22

**U.S. SALES OFFICES****NORTHWESTERN**

3910 NORTH FIRST STREET  
SAN JOSE, CA 95134  
PHONE: 408-433-6000  
FAX: 408-433-0185

**SOUTHWESTERN**

SUITE 200  
5150 E. PACIFIC COAST HWY.  
LONG BEACH, CA 90804  
PHONE: 562-498-3314  
FAX: 562-597-2174

**CENTRAL & SOUTHEASTERN**

604 FIELDWOOD CIRCLE  
RICHARDSON, TX 75081  
PHONE: 972-690-1402  
FAX: 972-690-0341

**NORTHEASTERN**

SUITE 436  
20 TRAFALGAR SQUARE  
NASHUA, NH 03063  
PHONE: 603-889-4393  
FAX: 603-889-9347

---

The information in this document is subject to change without notice.

MOSEL VITELIC makes no commitment to update or keep current the information contained in this document. No part of this document may be copied or reproduced in any form or by any means without the prior written consent of MOSEL-VITELIC.

MOSEL VITELIC subjects its products to normal quality control sampling techniques which are intended to provide an assurance of high quality products suitable for usual commercial applications. MOSEL VITELIC does not do testing appropriate to provide 100% product quality assurance and does not assume any liability for consequential or incidental arising from any use of its products. If such products are to be used in applications in which personal injury might occur from failure, purchaser must do its own quality assurance testing appropriate to such applications.