

TOSHIBA BIPOLAR DIGITAL INTEGRATED CIRCUIT SILICON MONOLITHIC

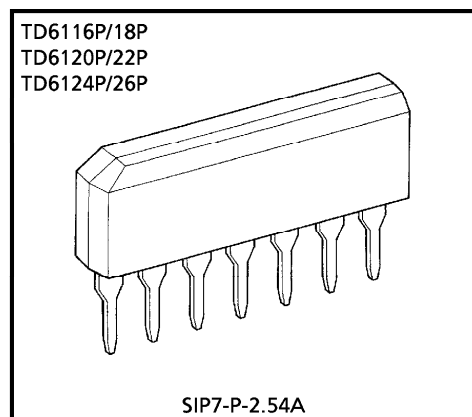
**TD6116P, TD6118P, TD6120P
TD6122P, TD6124P, TD6126P**

1.2GHz PRESCALER

The TD6116P~6126P prescalers integrate a high-sensitivity prescaler of the max. input frequency, 1.2GHz into the following:

- Dividing ratio : 1/64, 1/128, 1/256
- Output level : TTL, ECL
- Package : SIP7 pin

An optimum prescaler therefore is possible according to use.

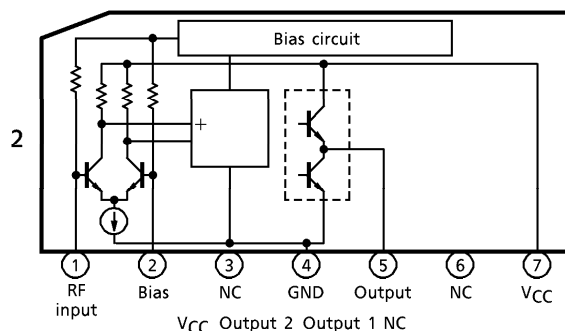
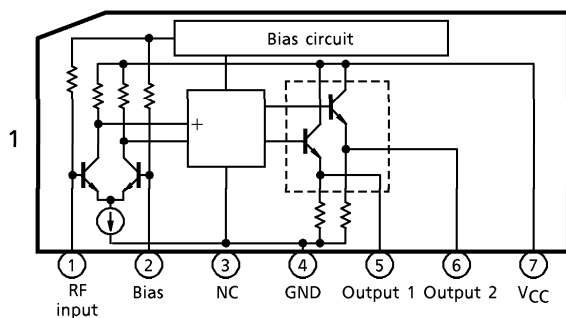


Weight : 0.72g (Typ.)

FEATURES

- High input sensitivity :
 - 20dBmW (50Ω) (Min.) 0.1~0.2GHz
 - 27dBmW (50Ω) (Min.) 0.2~1GHz
 - 17dBmW (50Ω) (Min.) 1~1.2GHz
- Low power consumption :
 - I_{CC} = 28mA (Typ.), V_{CC} = 5V, ECL
 - 30mA (Typ.), V_{CC} = 5V, TTL

BLOCK DIAGRAM



980910EBA2

- TOSHIBA is continually working to improve the quality and the reliability of its products. Nevertheless, semiconductor devices in general can malfunction or fail due to their inherent electrical sensitivity and vulnerability to physical stress. It is the responsibility of the buyer, when utilizing TOSHIBA products, to observe standards of safety, and to avoid situations in which a malfunction or failure of a TOSHIBA product could cause loss of human life, bodily injury or damage to property. In developing your designs, please ensure that TOSHIBA products are used within specified operating ranges as set forth in the most recent products specifications. Also, please keep in mind the precautions and conditions set forth in the TOSHIBA Semiconductor Reliability Handbook.
- The products described in this document are subject to the foreign exchange and foreign trade laws.
- The information contained herein is presented only as a guide for the applications of our products. No responsibility is assumed by TOSHIBA CORPORATION for any infringements of intellectual property or other rights of the third parties which may result from its use. No license is granted by implication or otherwise under any intellectual property or other rights of TOSHIBA CORPORATION or others.
- The information contained herein is subject to change without notice.

1.2GHz PRESCALER

MAX. FREQUENCY	INPUT SENSITIVITY	TYPE NAME	FUNCTION	OUTPUT	BLOCK DIAGRAM
1.2GHz	0.1 – 0.2GHz – 20dBmW (50Ω)	TD6116P	1 / 64	TTL	2
		TD6118P	1 / 64	ECL	1
	0.2 – 1GHz – 27dBmW (50Ω)	TD6120P	1 / 128	TTL	2
		TD6122P	1 / 128	ECL	1
	1 – 1.2GHz – 17dBmW (50Ω)	TD6124P	1 / 256	TTL	2
		TD6126P	1 / 256	ECL	1

MAXIMUM RATINGS (Ta = 25°C)

CHARACTERISTIC	SYMBOL	RATING	UNIT
Supply Voltage	V _{CC}	6.5	V
Input Pin Voltage	V _{in}	2.0	V _{p-p}
Power Dissipation	P _D (Note)	625	mW
Operating Temperature	T _{opr}	– 20~75	°C
Storing Temperature	T _{stg}	– 55~150	°C

(Note) In case of using at above 25°C, decrease 5mW per 1°C.

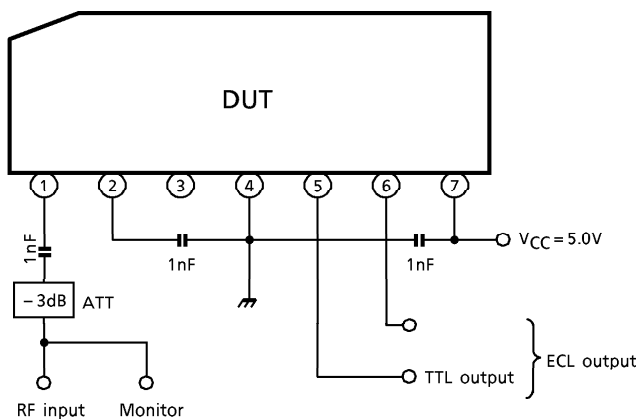
RECOMMENDED SUPPLY VOLTAGE

PIN No.	PIN NAME	MIN.	TYP.	MAX.	UNIT
7	V _{CC}	4.5	5.0	5.5	V

ELECTRICAL CHARACTERISTICS (Ta = 25°C, VCC = 5.0V)

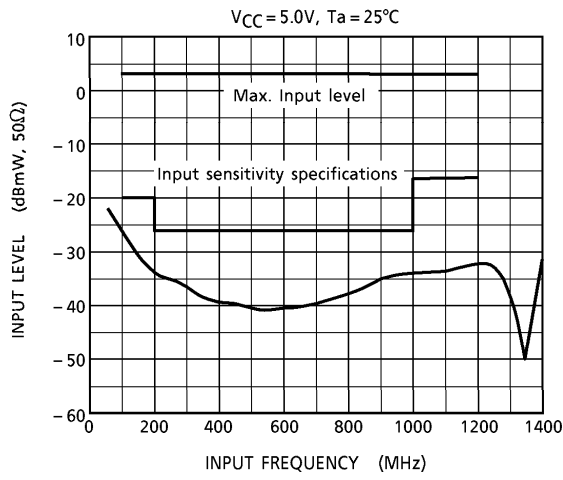
CHARACTERISTIC		SYMBOL	TEST CIR-CUIT	TEST CONDITION	MIN.	TYP.	MAX.	UNIT	
Supply Current	ECL Type	I _{CC}	1	V _{CC} = 5V	18	28	38	mA	
	TTL Type				18	30	40		
Input Sensitivity		V _{in1}	1	f _{in1} = 0.1~0.2GHz	-20	—	3	dBmW (50Ω)	
		V _{in2}		f _{in2} = 0.2~1GHz	-27	—	3		
		V _{in3}		f _{in3} = 1~1.2GHz	-17	—	3		
Output Level	ECL Type	Output	1	—	—	1.0	—		
		High Level		V _{OH}	—	—	4.3	—	V
		Low Level		V _{OL}	—	—	3.3	—	V
	TTL Type	Output	1	—	—	2.0	—		
		High Level		V _{OH}	—	2.2	3.0	—	V
		Low Level		V _{OL}	Output current = -5mA		—	—	0.5

TEST CIRCUIT 1
DC, AC characteristics



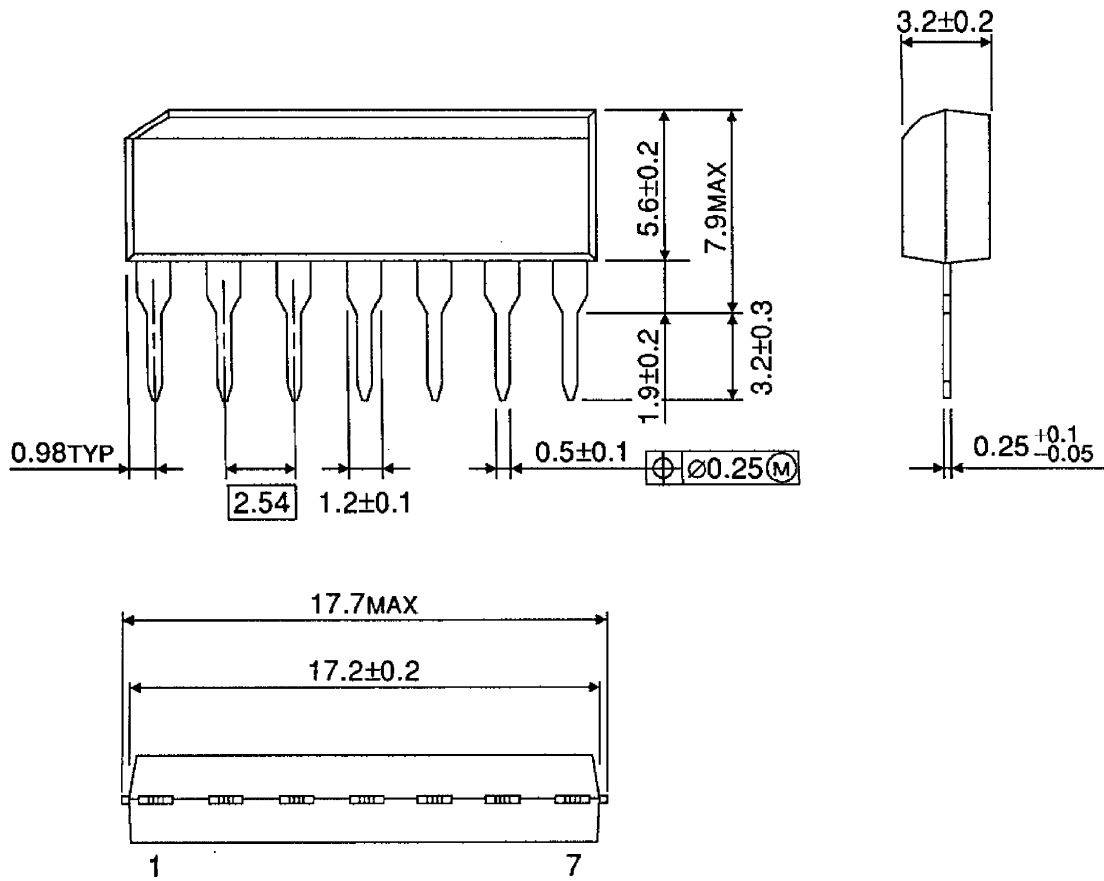
(Note) Handle with care as this product is weak at surge voltage.

INPUT SENSITIVITY characteristics



OUTLINE DRAWING
SIP7-P-2.54A

Unit : mm



Weight : 0.72g (Typ.)