

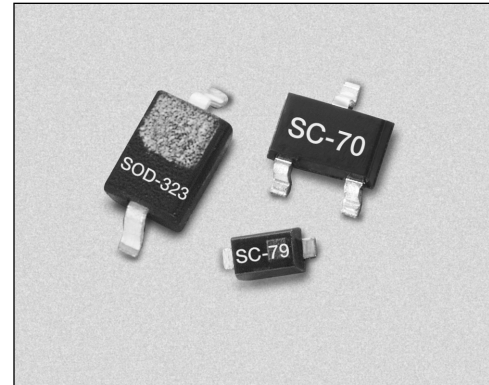
Hyperabrupt Junction Tuning Varactors



SMV1129 and SMV1139

Features

- High Q
- Low Series Resistance for Low Phase Noise
- Multiple Packages SOD-323, SC-79 and SC-70
- Designed for High Volume Commercial Applications
- SPICE Models are Available


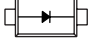
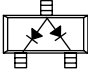


Description

The SMV1129 and SMV1139 silicon hyperabrupt junction varactor diodes are designed for use in VCOs requiring low resistance. The low resistance of these varactors makes them appropriate for high Q resonators in wireless system VCOs to frequencies beyond 2.5 GHz.

Absolute Maximum Ratings

Characteristic	Value
Forward Current (I_F)	20 mA
Power Dissipation (P_D)	250 mW
Storage Temperature (T_{ST})	-55°C to +150°C
Operating Temperature (T_{OP})	-55°C to +125°C

		
Single	Single	Common Anode
SOD-323	SC-79	SC-70
◆ SMV1129-011	◆ SMV1129-079	◆ SMV1129-073
◆ SMV1139-011	◆ SMV1139-079	
$L_S = 1.5$ nH	$L_S = 0.7$ nH	$L_S = 1.4$ nH

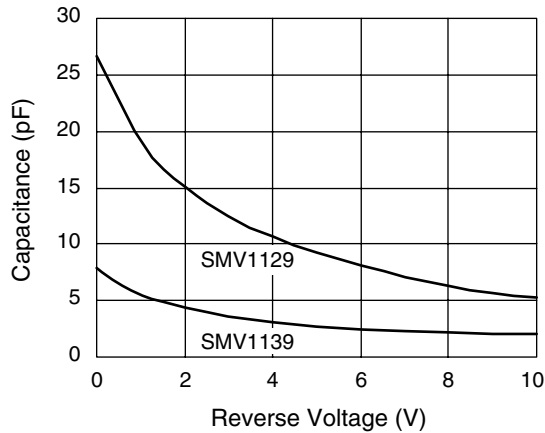
◆ Available through distribution.
For other packages or configurations, please contact the factory.

Electrical Specifications at 25°C

Part Number	$C_T @ 1$ V (pF)			$\frac{C_T @ 1}{C_T @ 3}$ V (Ratio)		$\frac{C_T @ 1}{C_T @ 6}$ V (Ratio)		$R_S @ 1$ V 500 MHz (Ω)
	Min.	Typ.	Max.	Min.	Typ.	Min.	Typ.	Max.
SMV1129	17.50	19.0	20.50	1.4	1.53	2.0	2.5	0.4
SMV1139	4.95	5.4	5.85	1.4	1.53	2.0	2.5	0.6

Reverse Voltage V_R ($I_R = 10$ μ A): 12 V
Reverse Current I_R ($V_R = 10$ V): 20 nA

Typical Performance Data

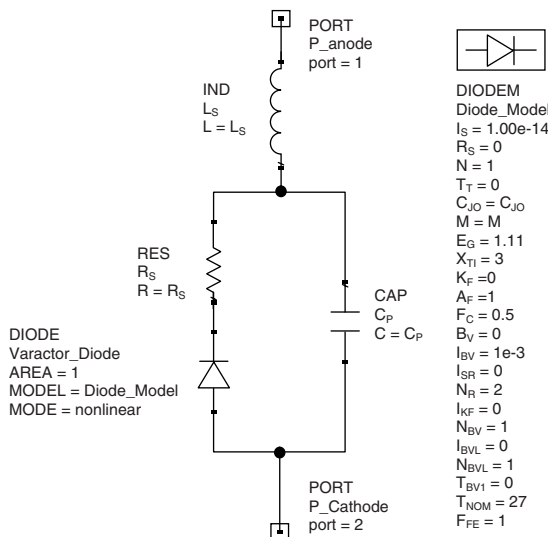


Capacitance vs. Reverse Voltage

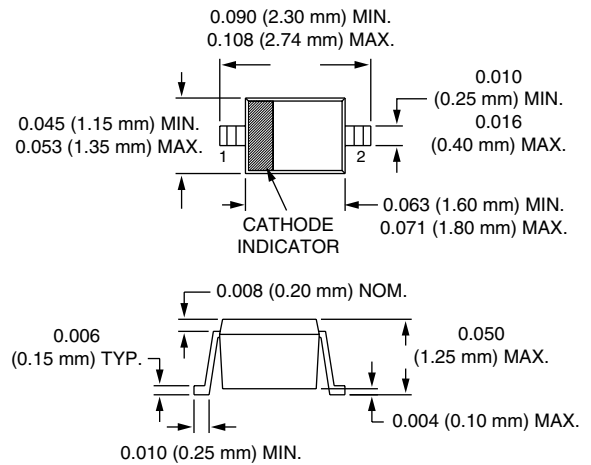
Capacitance vs. Reverse Voltage

V _R (V)	SMV1129	SMV1139
	C _T (pF)	C _T (pF)
0	27.5	8.0
1	18.9	5.5
2	15.0	4.4
3	12.5	3.7
4	10.7	3.1
5	9.3	2.7
6	8.1	2.5
7	7.1	2.3
8	6.3	2.2
9	5.7	2.1
10	5.2	2.0
11	4.9	2.0
12	4.7	1.9

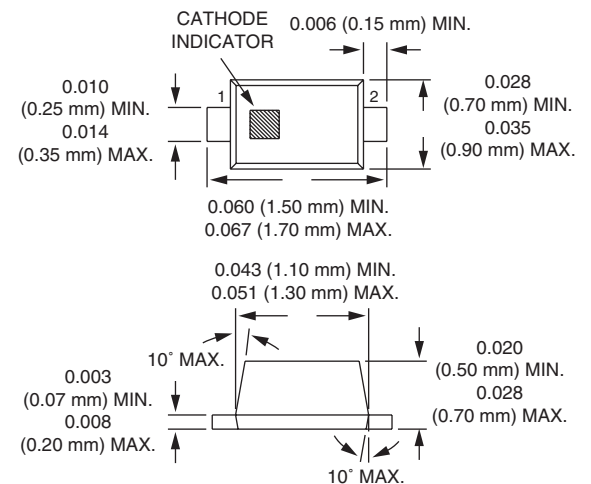
SPICE Model



SOD-323



SC-79



Part Number	C _{J0} (pF)	V _J (V)	M	C _P (pF)	R _S (Ω)
SMV1129	27.5	2.8	1.10	0	0.40
SMV1139	8.0	1.2	0.65	0	0.60

1. Values extracted from measured performance.
2. For package inductance (L_S) refer to package type.
3. For more details refer to the "Varactor SPICE Models for RF VCO Applications" Application Note.

SC-70

