

Optocoupler, Phototransistor Output, AC Input

Features

- Good CTR Linearity Depending on Forward Current
- Isolation Test Voltage, 5300 V_{RMS}
- High Collector-emitter Voltage, V_{CEO} = 70 V
- Low Saturation Voltage
- Fast Switching Times
- Low CTR Degradation
- Temperature Stable
- Low Coupling Capacitance
- End-Stackable, .100 "(2.54 mm) Spacing
- High Common-Mode Interference Immunity

Agency Approvals

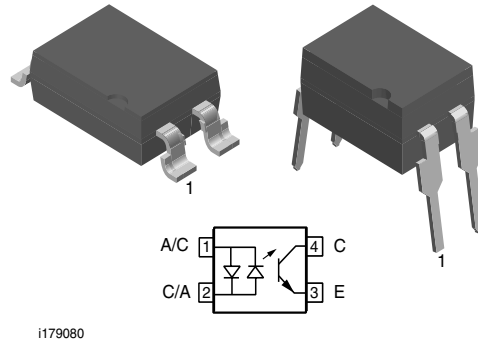
- UL - File No. E52744 System Code J
- CSA 93751
- BSI IEC60950 IEC60965
- DIN EN 60747-5-2(VDE0884)
DIN EN 60747-5-5 pending
Available with Option 1

Description

The SFH620A (DIP) and SFH6206 (SMD) feature a high current transfer ratio, low coupling capacitance and high isolation voltage. These couplers have a GaAs infrared diode emitter, which is optically coupled to a silicon planar phototransistor detector, and is incorporated in a plastic DIP-4 or SMD package.

The coupling devices are designed for signal transmission between two electrically separated circuits.

The couplers are end-stackable with 2.54 mm lead spacing.



Creepage and clearance distances of > 8.0 mm are achieved with option 6. This version complies with IEC 60950 (DIN VDE 0805) for reinforced insulation to an operation voltage of 400 V_{RMS} or DC.

Order Information

Part	Remarks
SFH620A-1	CTR 40 - 125 %, DIP-4
SFH620A-2	CTR 63 - 200 %, DIP-4
SFH620A-3	CTR 100 - 320 %, DIP-4
SFH6206-1	CTR 40 - 125 %, SMD-4
SFH6206-2	CTR 63 - 200 %, SMD-4
SFH6206-3	CTR 100 - 320 %, SMD-4
SFH620A-1-X006	CTR 40 - 125 %, DIP-4 mil (option 6)
SFH620A-2-X006	CTR 63 - 200 %, DIP-4 mil (option 6)
SFH620A-2-X007	CTR 63 - 200 %, SMD-4 (option 7)
SFH620A-3-X006	CTR 100 - 320 %, DIP-4 mil (option 6)

For additional information on the available options refer to Option Information.

Absolute Maximum Ratings

$T_{amb} = 25\text{ °C}$, unless otherwise specified

Stresses in excess of the absolute Maximum Ratings can cause permanent damage to the device. Functional operation of the device is not implied at these or any other conditions in excess of those given in the operational sections of this document. Exposure to absolute Maximum Rating for extended periods of the time can adversely affect reliability.

Input

Parameter	Test condition	Symbol	Value	Unit
Reverse voltage		V_R	6.0	V
DC Forward current		I_F	± 60	mA
Surge forward current	$t_p \leq 10\ \mu\text{s}$	I_{FSM}	± 2.5	A
Power dissipation		P_{diss}	100	mW

Output

Parameter	Test condition	Symbol	Value	Unit
Collector-emitter voltage		V_{CE}	70	V
Emitter-collector voltage		V_{EC}	7.0	V
Collector current		I_C	50	mA
	$t_p \leq 1.0\ \text{ms}$	I_C	100	mA
Power dissipation		P_{diss}	150	mW

Coupler

Parameter	Test condition	Symbol	Value	Unit
Isolation test voltage between emitter and detector, refer to climate DIN 40046, part 2, Nov.74		V_{ISO}	5300	V_{RMS}
Creepage			≥ 7.0	mm
Clearance			≥ 7.0	mm
Insulation thickness between emitter and detector			≥ 4.0	mm
Comparative tracking index per DIN IEC 112/VDEO 303, part 1			175	
Isolation resistance	$V_{IO} = 500\ \text{V}, T_{amb} = 25\text{ °C}$	R_{IO}	$\geq 10^{12}$	Ω
	$V_{IO} = 500\ \text{V}, T_{amb} = 100\text{ °C}$	R_{IO}	$\geq 10^{11}$	Ω
Storage temperature range		T_{stg}	- 55 to + 150	$^{\circ}\text{C}$
Ambient temperature range		T_{amb}	- 55 to + 100	$^{\circ}\text{C}$
Junction temperature		T_j	100	$^{\circ}\text{C}$
Soldering temperature	max. 10 s. dip soldering distance to seating plane $\geq 1.5\ \text{mm}$	T_{sld}	260	$^{\circ}\text{C}$



Electrical Characteristics

$T_{amb} = 25\text{ }^{\circ}\text{C}$, unless otherwise specified

Minimum and maximum values are testing requirements. Typical values are characteristics of the device and are the result of engineering evaluation. Typical values are for information only and are not part of the testing requirements.

Input

Parameter	Test condition	Symbol	Min	Typ.	Max	Unit
Forward voltage	$I_F = \pm 60\text{ mA}$	V_F		1.25	1.65	V
Capacitance	$V_R = 0\text{ V}$, $f = 1.0\text{ MHz}$	C_O		50		pF
Thermal resistance		R_{thja}		750		$^{\circ}\text{C/W}$

Output

Parameter	Test condition	Symbol	Min	Typ.	Max	Unit
Collector-emitter capacitance	$V_{CE} = 5.0\text{ V}$, $f = 1.0\text{ MHz}$	C_{CE}		6.8		pF
Thermal resistance		R_{thja}		500		$^{\circ}\text{C/W}$

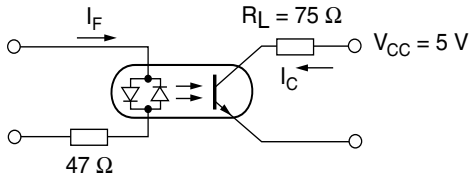
Coupler

Parameter	Test condition	Part	Symbol	Min	Typ.	Max	Unit
Collector-emitter saturation voltage	$I_F = 10\text{ mA}$, $I_C = 2.5\text{ mA}$		V_{CEsat}		0.25	0.4	V
Coupling capacitance			C_C		0.2		pF
Collector-emitter leakage current	$V_{CE} = 10\text{ V}$	SFH620A-1 SFH6206-1	I_{CEO}		2.0	50	nA
		SFH620A-2 SFH6206-2	I_{CEO}		2.0	50	nA
		SFH620A-3 SFH6206-3	I_{CEO}		5.0	100	nA

Note: Still air, coupler soldered to PCB or base

Current Transfer Ratio

Parameter	Test condition	Part	Symbol	Min	Typ.	Max	Unit
I_C/I_F	$V_{CE} = 5.0\text{ V}$, $I_F = \pm 10\text{ mA}$	SFH620A-1 SFH6206-1	CTR	40		125	%
		SFH620A-2 SFH6206-2	CTR	63		200	%
		SFH620A-3 SFH6206-3	CTR	100		320	%
	$V_{CE} = 5.0\text{ V}$, $I_F = \pm 1.0\text{ mA}$	SFH620A-1 SFH6206-1	CTR	13	30		%
		SFH620A-2 SFH6206-2	CTR	22	45		%
		SFH620A-3 SFH6206-3	CTR	34	70		%



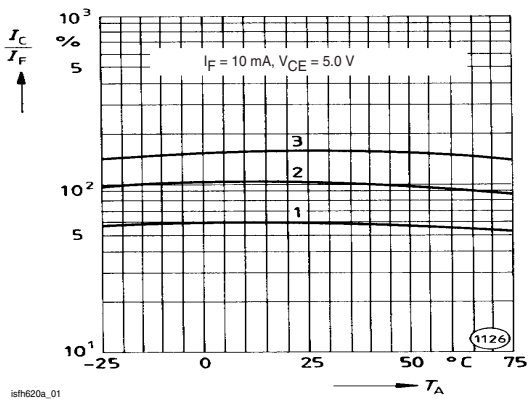
isfh620a_08

Fig. 1 Switching Times Linear Operation (without saturation)

Switching Characteristics

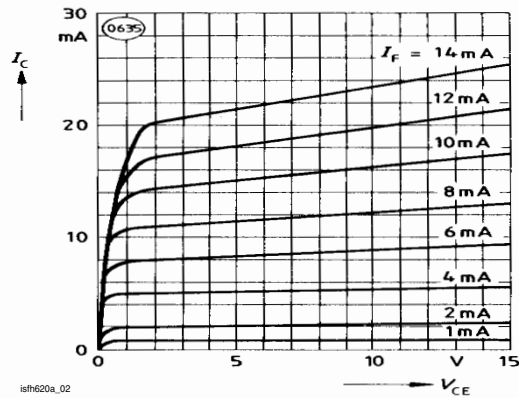
Parameter	Test condition	Symbol	Min	Typ.	Max	Unit
Turn-on Time	$R_L = 75 \Omega, I_F = 10 \text{ mA}, V_{CC} = 5.0 \text{ V}$	t_{on}		3.0		μs
Rise Time	$R_L = 75 \Omega, I_F = 10 \text{ mA}, V_{CC} = 5.0 \text{ V}$	t_r		2.0		μs
Turn-off Time	$R_L = 75 \Omega, I_F = 10 \text{ mA}, V_{CC} = 5.0 \text{ V}$	t_{off}		2.3		μs
Fall Time	$R_L = 75 \Omega, I_F = 10 \text{ mA}, V_{CC} = 5.0 \text{ V}$	t_f		2.0		μs
Cut-off frequency	$R_L = 75 \Omega, I_F = 10 \text{ mA}, V_{CC} = 5.0 \text{ V}$	f_{ctr}		250		kHz

Typical Characteristics ($T_{amb} = 25^\circ\text{C}$ unless otherwise specified)



isfh620a_01

Fig. 2 Current Transfer Ratio (CTR) vs. Temperature



isfh620a_02

Fig. 3 Output Characteristics (typ.) Collector Current vs. Collector-Emitter Voltage

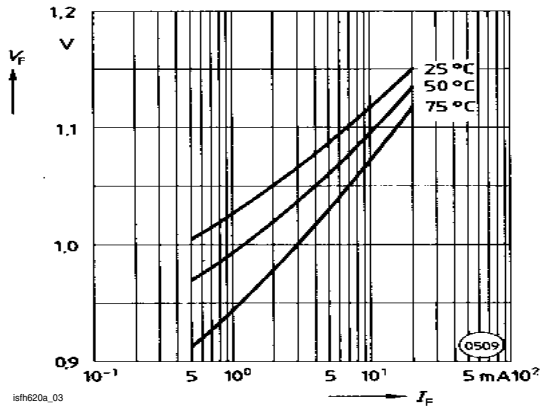


Fig. 4 Diode Forward Voltage (typ.) vs. Forward Current

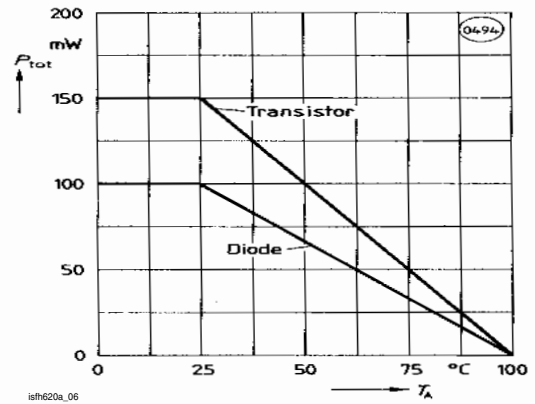


Fig. 7 Permissible Power Dissipation vs. Ambient Temperature

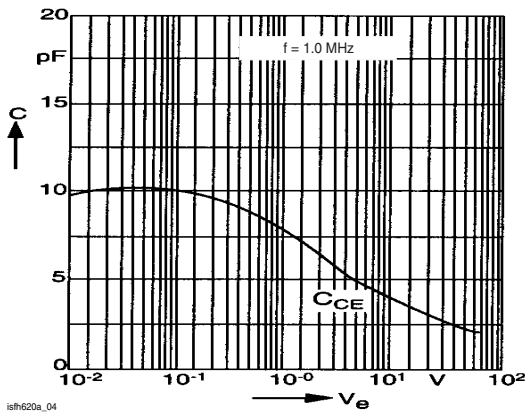


Fig. 5 Transistor Capacitance (typ.) vs. Collector-Emitter Voltage

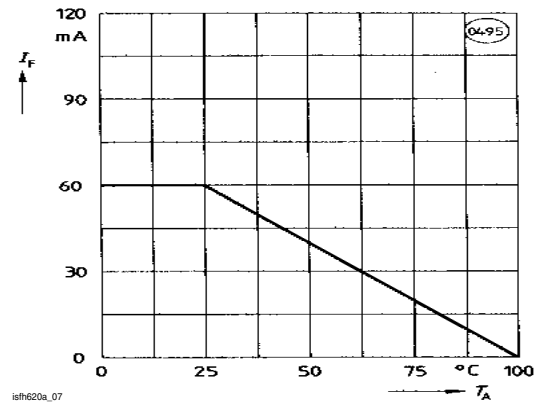


Fig. 8 Permissible Diode Forward Current vs. Ambient Temperature

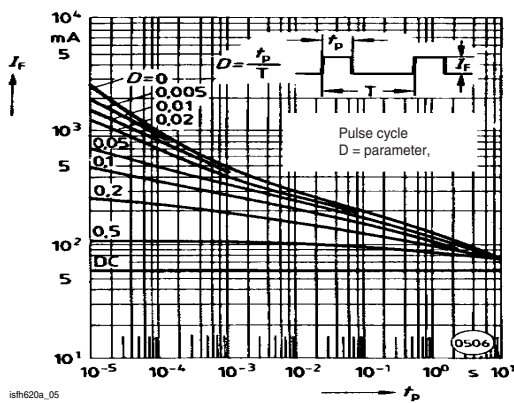


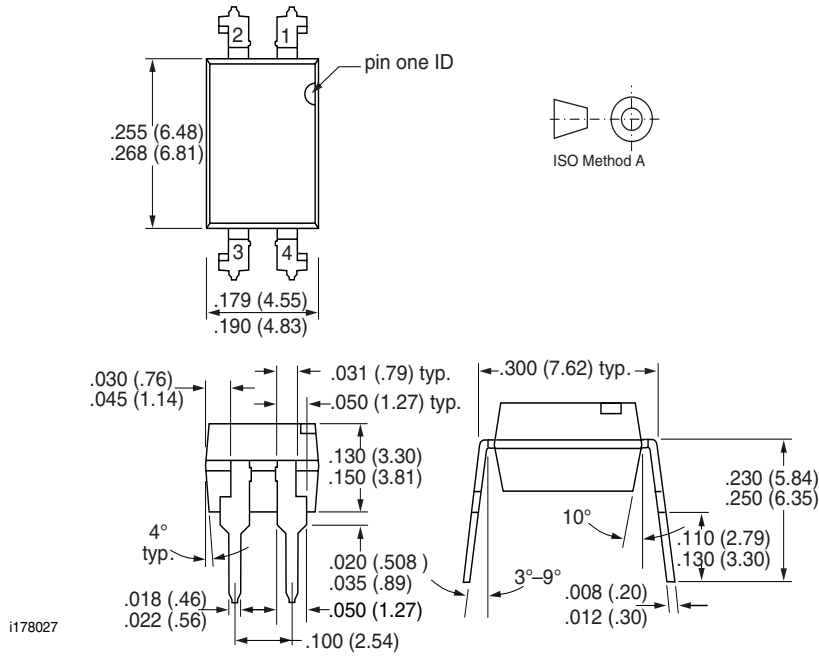
Fig. 6 Permissible Pulse Handling Capability Forward Current vs. Pulse Width

SFH620A / SFH6206

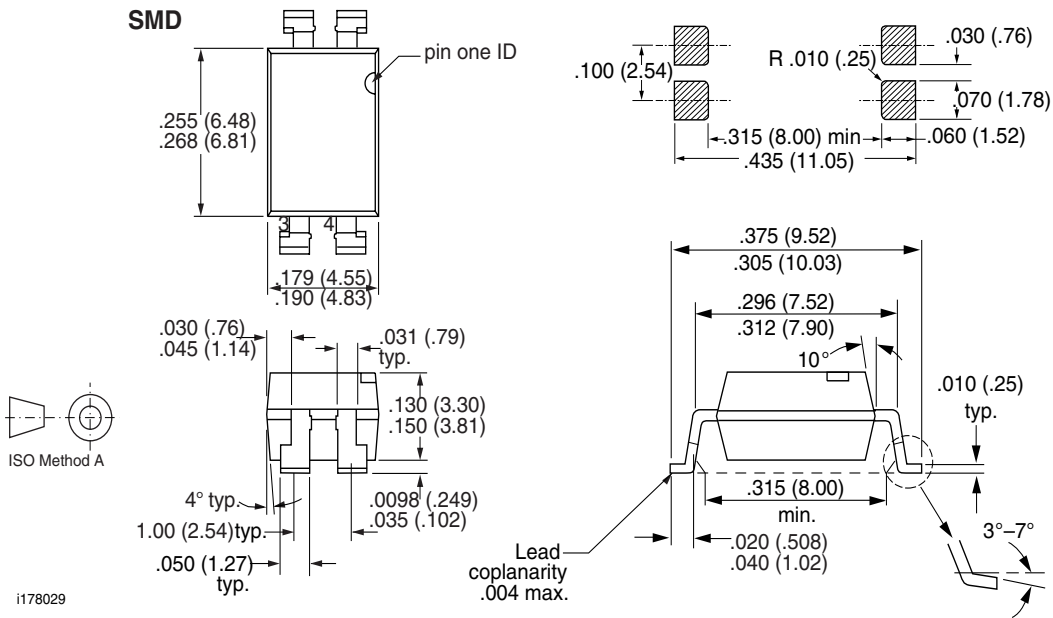


Vishay Semiconductors

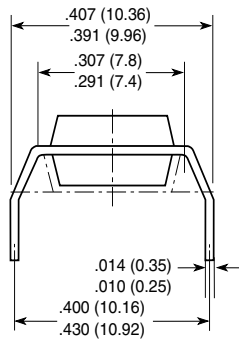
Package Dimensions in Inches (mm)



Package Dimensions in Inches (mm)

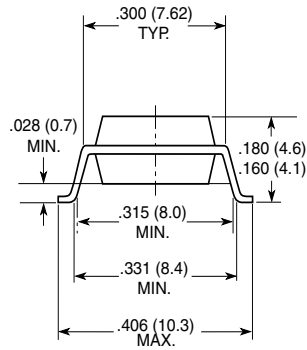


Option 6



18487

Option 7



Ozone Depleting Substances Policy Statement

It is the policy of **Vishay Semiconductor GmbH** to

1. Meet all present and future national and international statutory requirements.
2. Regularly and continuously improve the performance of our products, processes, distribution and operating systems with respect to their impact on the health and safety of our employees and the public, as well as their impact on the environment.

It is particular concern to control or eliminate releases of those substances into the atmosphere which are known as ozone depleting substances (ODSs).

The Montreal Protocol (1987) and its London Amendments (1990) intend to severely restrict the use of ODSs and forbid their use within the next ten years. Various national and international initiatives are pressing for an earlier ban on these substances.

Vishay Semiconductor GmbH has been able to use its policy of continuous improvements to eliminate the use of ODSs listed in the following documents.

1. Annex A, B and list of transitional substances of the Montreal Protocol and the London Amendments respectively
2. Class I and II ozone depleting substances in the Clean Air Act Amendments of 1990 by the Environmental Protection Agency (EPA) in the USA
3. Council Decision 88/540/EEC and 91/690/EEC Annex A, B and C (transitional substances) respectively.

Vishay Semiconductor GmbH can certify that our semiconductors are not manufactured with ozone depleting substances and do not contain such substances.

**We reserve the right to make changes to improve technical design
and may do so without further notice.**

Parameters can vary in different applications. All operating parameters must be validated for each customer application by the customer. Should the buyer use Vishay Semiconductors products for any unintended or unauthorized application, the buyer shall indemnify Vishay Semiconductors against all claims, costs, damages, and expenses, arising out of, directly or indirectly, any claim of personal damage, injury or death associated with such unintended or unauthorized use.

Vishay Semiconductor GmbH, P.O.B. 3535, D-74025 Heilbronn, Germany
Telephone: 49 (0)7131 67 2831, Fax number: 49 (0)7131 67 2423