

TC74VHCU04F, TC74VHCU04FN, TC74VHCU04FT

HEX INVERTER

The TC74VHCU04 is an advanced high speed CMOS INVERTER fabricated with silicon gate C²MOS technology. It achieves the high speed operation similar to equivalent Bipolar Schottky TTL while maintaining the CMOS low power dissipation.

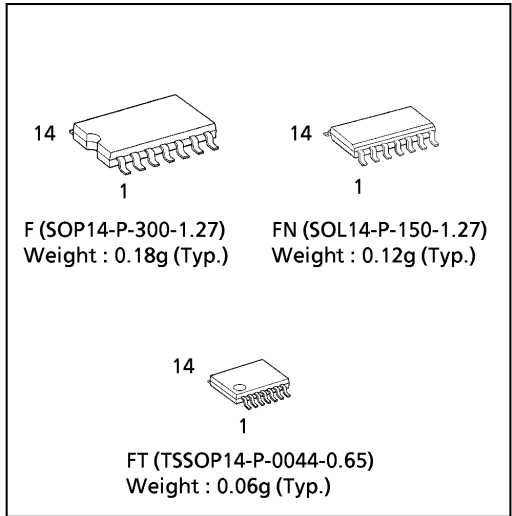
Since the internal circuit is composed of a single stage inverter, it can be used in analog applications such as crystal oscillators.

An input protection circuit ensures that 0 to 7V can be applied to the input pins without regard to the supply voltage. This device can be used to interface 5V to 3V systems and two supply systems such as battery back up. This circuit prevents device destruction due to mismatched supply and input voltages.

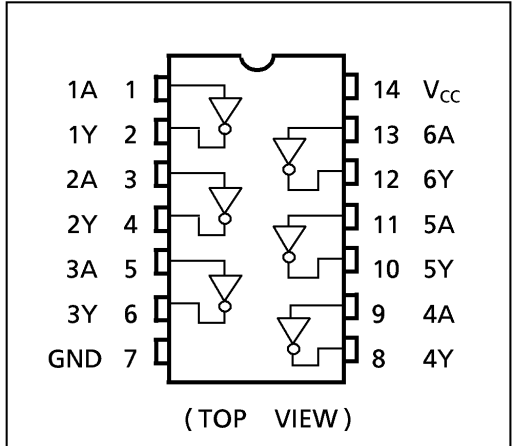
FEATURES :

- High Speed..... $t_{pd} = 3.5ns(typ.)$ at $V_{CC} = 5V$
- Low Power Dissipation..... $I_{CC} = 2\mu A(Max.)$ at $T_a = 25^{\circ}C$
- High Noise Immunity..... $V_{NIH} = V_{NIL} = 10\% V_{CC} (Min.)$
- Power Down Protection is provided on all inputs.
- Balanced Propagation Delays..... $t_{pLH} \approx t_{pHL}$
- Wide Operating Voltage Range..... $V_{CC} (opr) = 2V \sim 5.5V$
- Low Noise $V_{OLP} = 0.8V (Max.)$
- Pin and Function Compatible with 74ALS04

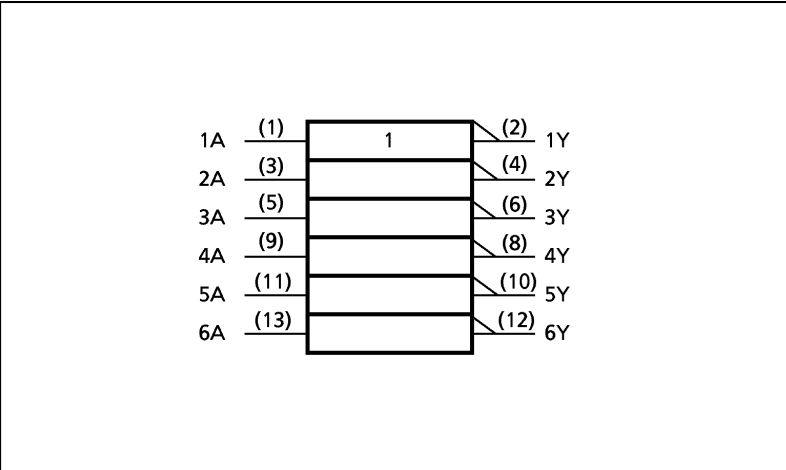
(Note) The JEDEC SOP (FN) is not available in Japan.



PIN ASSIGNMENT



IEC LOGIC SYMBOL



TRUTH TABLE

A	Y
L	H
H	L

961001EBA2

● TOSHIBA is continually working to improve the quality and the reliability of its products. Nevertheless, semiconductor devices in general can malfunction or fail due to their inherent electrical sensitivity and vulnerability to physical stress. It is the responsibility of the buyer, when utilizing TOSHIBA products, to observe standards of safety, and to avoid situations in which a malfunction or failure of a TOSHIBA product could cause loss of human life, bodily injury or damage to property. In developing your designs, please ensure that TOSHIBA products are used within specified operating ranges as set forth in the most recent products specifications. Also, please keep in mind the precautions and conditions set forth in the TOSHIBA Semiconductor Reliability Handbook.

ABSOLUTE MAXIMUM RATINGS

PARAMETER	SYMBOL	VALUE	UNIT
Supply Voltage Range	V_{CC}	-0.5~7.0	V
DC Input Voltage	V_{IN}	-0.5~7.0	V
DC Output Voltage	V_{OUT}	-0.5~ $V_{CC} + 0.5$	V
Input Diode Current	I_{IK}	-20	mA
Output Diode Current	I_{OK}	±20	mA
DC Output Current	I_{OUT}	±25	mA
DC V_{CC} /Ground Current	I_{CC}	±50	mA
Power Dissipation	P_D	180	mW
Storage Temperature	T_{stg}	-65~150	°C

RECOMMENDED OPERATING CONDITIONS

PARAMETER	SYMBOL	VALUE	UNIT
Supply Voltage	V_{CC}	2.0~5.5	V
Input Voltage	V_{IN}	0~5.5	V
Output Voltage	V_{OUT}	0~ V_{CC}	V
Operating Temperature	T_{opr}	-40~85	°C

DC ELECTRICAL CHARACTERISTICS

PARAMETER	SYMBOL	TEST CONDITION	V_{CC} (V)	$T_a = 25^\circ\text{C}$			$T_a = -40\sim 85^\circ\text{C}$		UNIT
				MIN.	TYP.	MAX.	MIN.	MAX.	
High - Level Input Voltage	V_{IH}	$V_{OUT} = V_{OL}$	2.0 3.0~ 5.5	1.70 $V_{CC} \times 0.8$	- -	- -	1.70 $V_{CC} \times 0.8$	- -	V
Low - Level Input Voltage	V_{IL}	$V_{OUT} = V_{OH}$	2.0 3.0~ 5.5	- -	- -	0.30 $V_{CC} \times 0.2$	- -	0.30 $V_{CC} \times 0.2$	V
High - Level Output Voltage	V_{OH}	$V_{IN} = V_{IL}$	2.0 3.0 4.5	1.8 2.7 4.0	2.0 3.0 4.5	- - -	1.8 2.7 4.0	- - -	V
		$V_{IN} = \text{GND}$	$I_{OH} = -50\mu\text{A}$	3.0 4.5	2.58 3.94	- -	- -	2.48 3.80	
Low - Level Output Voltage	V_{OL}	$V_{IN} = V_{IH}$	2.0 3.0 4.5	- - -	0.0 0.0 0.0	0.2 0.3 0.5	- - -	0.2 0.3 0.5	V
		$V_{IN} = V_{CC}$	$I_{OL} = 50\mu\text{A}$	3.0 4.5	- -	- -	0.36 0.36	- -	
Input Leakage Current	I_{IN}	$V_{IN} = 5.5\text{V or GND}$	0~5.5	-	-	±0.1	-	±1.0	μA
Quiescent Supply Current	I_{CC}	$V_{IN} = V_{CC} \text{ or GND}$	5.5	-	-	2.0	-	20.0	

961001EBA2'

- The products described in this document are subject to foreign exchange and foreign trade control laws.
- The information contained herein is presented only as a guide for the applications of our products. No responsibility is assumed by TOSHIBA CORPORATION for any infringements of intellectual property or other rights of the third parties which may result from its use. No license is granted by implication or otherwise under any intellectual property or other rights of TOSHIBA CORPORATION or others.
- The information contained herein is subject to change without notice.

AC ELECTRICAL CHARACTERISTICS (Input $t_r = t_f = 3ns$)

PARAMETER	SYMBOL	TEST CONDITION		Ta = 25°C			Ta = - 40~85°C		UNIT
		V _{CC} (V)	CL (pF)	MIN.	TYP.	MAX.	MIN.	MAX.	
Propagation Delay Time	t _{pLH}	3.3 ± 0.3	15	—	5.0	8.9	1.0	10.5	ns
			50	—	7.5	11.4	1.0	13.0	
	t _{pHL}	5.0 ± 0.5	15	—	3.5	5.5	1.0	6.5	
			50	—	5.0	7.0	1.0	8.0	
Input Capacitance	C _{IN}			—	5	10	—	10	pF
Power Dissipation Capacitance	C _{PD}	(Note 1)		—	9	—	—	—	

Note (1) C_{PD} is defined as the value of the internal equivalent capacitance which is calculated from the operating current consumption without load.

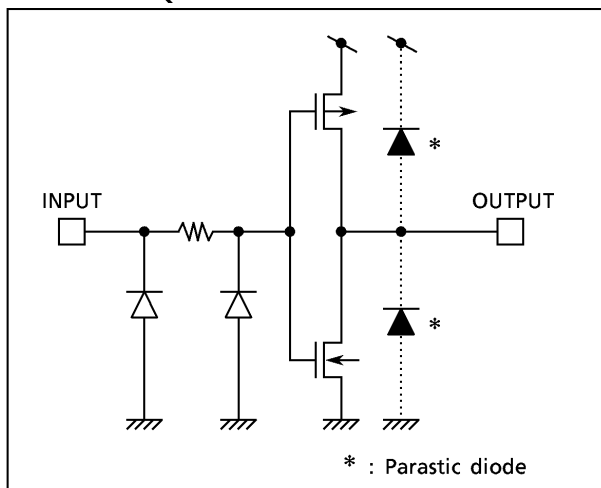
Average operating current can be obtained by the equation :

$$I_{CC(opr.)} = C_{PD} \cdot V_{CC} \cdot f_{IN} + I_{CC} / 6 \text{ (per Gate)}$$

NOISE CHARACTERISTICS (Input $t_r = t_f = 3ns$)

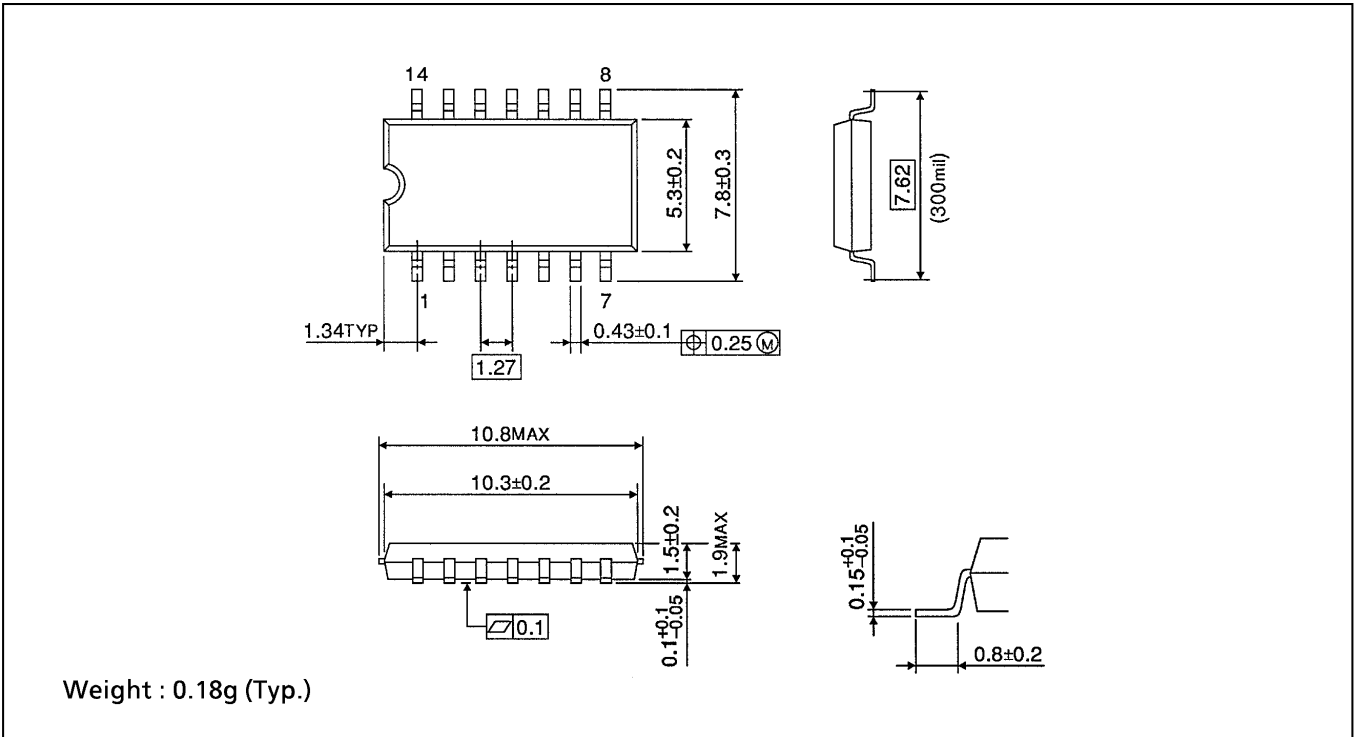
PARAMETER	SYMBOL	TEST CONDITION	Ta = 25°C			UNIT
			V _{CC} (V)	TYP.	MAX.	
Quiet Output Maximum Dynamic V _{OL}	V _{OLP}	C _L = 50pF	5.0	0.5	0.8	V
Quiet Output Minimum Dynamic V _{OL}	V _{OLV}	C _L = 50pF	5.0	- 0.5	- 0.8	V
Minimum High Level Dynamic Input Voltage	V _{IHD}	C _L = 50pF	5.0	—	4.0	V
Maximum Low Level Dynamic Input Voltage	V _{ILD}	C _L = 50pF	5.0	—	1.0	V

INTERNAL EQUIVALENT CIRCUIT



SOP 14PIN (200mil BODY) OUTLINE DRAWING (SOP14-P-300-1.27)

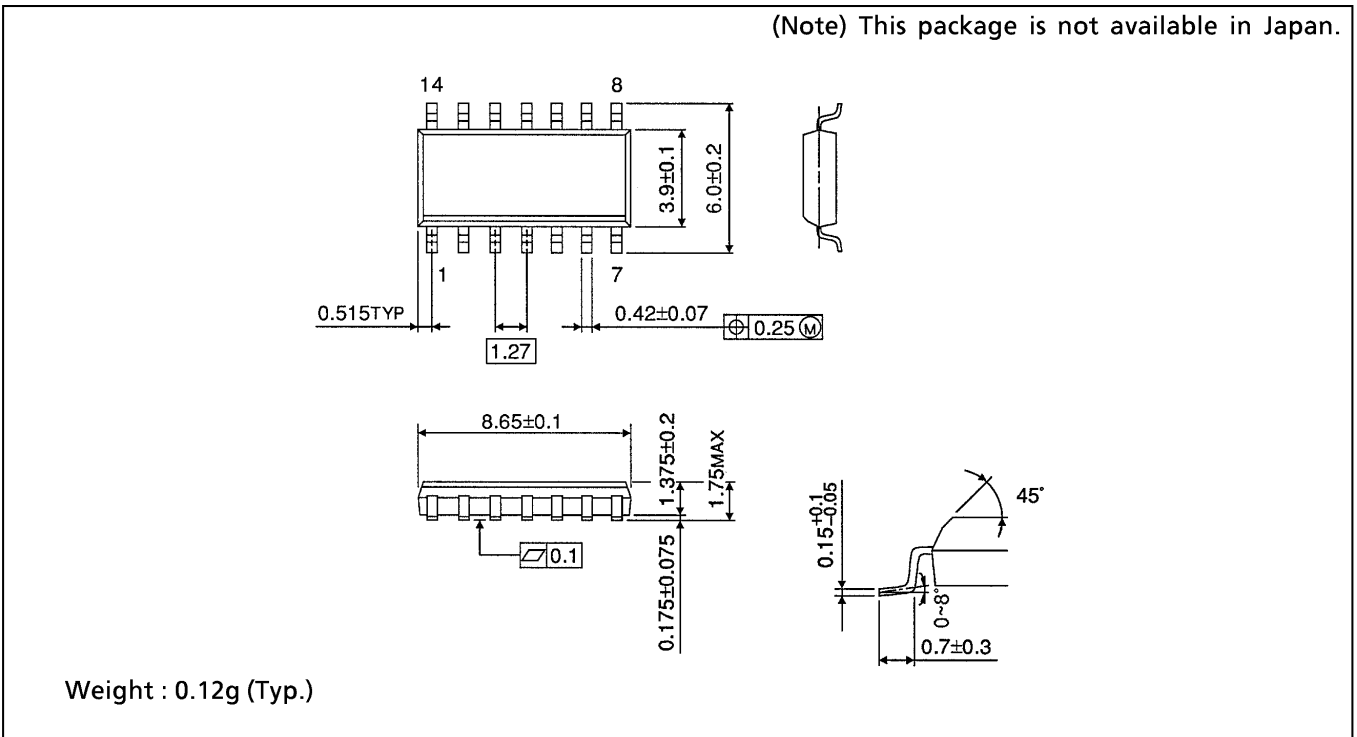
Unit in mm



SOP 14PIN (150mil BODY) OUTLINE DRAWING (SOP14-P-150-1.27)

Unit in mm

(Note) This package is not available in Japan.



TSSOP 14PIN OUTLINE DRAWING (TSSOP14-P-0044-0.65)

Unit in mm

