

74ACTQ16245 16-Bit Transceiver with 3-STATE Outputs

General Description

The ACTQ16245 contains sixteen non-inverting bidirectional buffers with 3-STATE outputs and is intended for bus oriented applications. The device is byte controlled. Each has separate control inputs which can be shorted together for full 16-bit operation. The T/\bar{R} inputs determine the direction of data flow through the device. The OE inputs disable both the A and B ports by placing them in a high impedance state.

The ACTQ16245 utilizes Fairchild Quiet Series™ technology to guarantee quiet output switching and improved dynamic threshold performance. FACT Quiet Series™ features GTO™ output control for superior performance.

Features

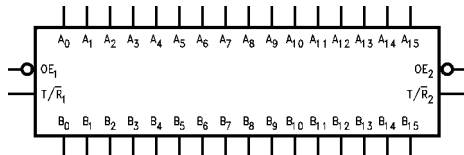
- Utilizes Fairchild FACT Quiet Series technology
- Guaranteed simultaneous switching noise level and dynamic threshold performance
- Guaranteed pin-to-pin output skew
- Bidirectional non-inverting buffers
- Separate control logic for each byte
- 16-bit version of the ACTQ245
- Outputs source/sink 24 mA
- Additional specs for multiple output switching
- Output loading specs for both 50 pF and 250 pF loads

Ordering Code:

| Order Number | Package Number | Package Description |
|----------------|----------------|---|
| 74ACTQ16245SSC | MS48A | 48-Lead Small Shrink Outline Package (SSOP), JEDEC MO-118, 0.300" Wide |
| 74ACTQ16245MTD | MTD48 | 48-Lead Thin Shrink Small Outline Package (TSSOP), JEDEC MO-153, 6.1mm Wide |

Device also available in Tape and Reel. Specify by appending suffix letter "X" to the ordering code.

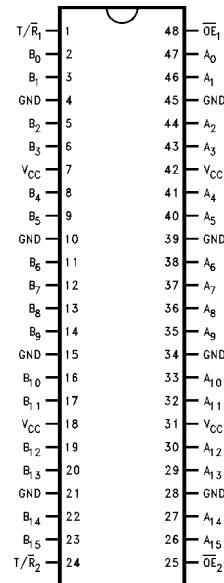
Logic Symbol



Pin Description

| Pin Names | Description |
|-------------------|----------------------------------|
| \overline{OE}_n | Output Enable Input (Active LOW) |
| T/\bar{R} | Transmit/Receive Input |
| A_0 - A_{15} | Side A Inputs/Outputs |
| B_0 - B_{15} | Side B Outputs/Inputs |

Connection Diagram



FACT™, FACT Quiet Series™ and GTO™ are trademarks of Fairchild Semiconductor Corporation.

Functional Description

The ACTQ16245 contains sixteen non-inverting bidirectional buffers with 3-STATE outputs. The device is byte controlled with each byte functioning identically, but independent of the other. The control pins can be shorted together to obtain full 16-bit operation. The following description applies to each byte. When the $\overline{T/R}$ input is HIGH, then Bus A data is transmitted to Bus B. When the $\overline{T/R}$ input is LOW, Bus B data is transmitted to Bus A. The 3-STATE outputs are controlled by an Output Enable (\overline{OE}_n) input for each byte. When \overline{OE}_n is LOW, the outputs are in 2-state mode. When \overline{OE}_n is HIGH, the outputs are in the high impedance mode, but this does not interfere with entering new data into the inputs.

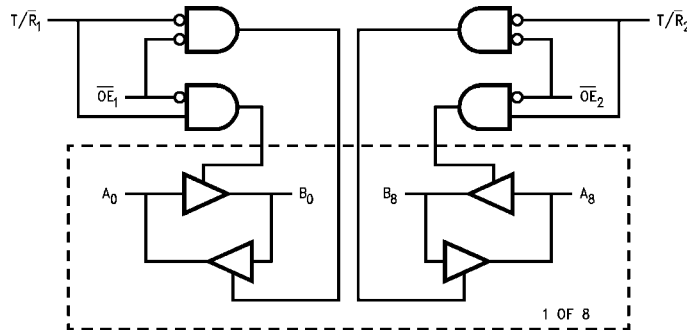
Truth Tables

| Inputs | | Outputs |
|-------------------|--------------------|---|
| \overline{OE}_1 | $\overline{T/R}_1$ | |
| L | L | Bus B ₀ -B ₇ Data to Bus A ₀ -A ₇ |
| L | H | Bus A ₀ -A ₇ Data to Bus B ₀ -B ₇ |
| H | X | HIGH-Z State on A ₀ -A ₇ , B ₀ -B ₇ |

| Inputs | | Outputs |
|-------------------|--------------------|---|
| \overline{OE}_2 | $\overline{T/R}_2$ | |
| L | L | Bus B ₈ -B ₁₅ Data to Bus A ₈ -A ₁₅ |
| L | H | Bus A ₈ -A ₁₅ Data to Bus B ₈ -B ₁₅ |
| H | X | HIGH-Z State on A ₈ -A ₁₅ , B ₈ -B ₁₅ |

H = HIGH Voltage Level
 L = LOW Voltage Level
 X = Immaterial
 Z = High Impedance

Logic Diagram



Absolute Maximum Ratings(Note 1)

| | |
|--|--------------------------|
| Supply Voltage (V_{CC}) | -0.5V to +7.0V |
| DC Input Diode Current (I_{IK}) | |
| $V_I = -0.5V$ | -20 mA |
| $V_I = V_{CC} + 0.5V$ | +20 mA |
| DC Output Diode Current (I_{OK}) | |
| $V_O = -0.5V$ | -20 mA |
| $V_O = V_{CC} + 0.5V$ | +20 mA |
| DC Output Voltage (V_O) | -0.5V to $V_{CC} + 0.5V$ |
| DC Output Source/Sink Current (I_O) | ± 50 mA |
| DC V_{CC} or Ground Current per Output Pin | ± 50 mA |
| Storage Temperature | -65°C to +150°C |

Recommended Operating Conditions

| | |
|---|----------------|
| Supply Voltage (V_{CC}) | 4.5V to 5.5V |
| Input Voltage (V_I) | 0V to V_{CC} |
| Output Voltage (V_O) | 0V to V_{CC} |
| Operating Temperature (T_A) | -40°C to +85°C |
| Minimum Input Edge Rate ($\Delta V/\Delta t$) | 125 mV/ns |
| V_{IN} from 0.8V to 2.0V | |
| V_{CC} @ 4.5V, 5.5V | |

Note 1: Absolute maximum ratings are those values beyond which damage to the device may occur. The databook specifications should be met, without exception to ensure that the system design is reliable over its power supply, temperature, and output/input loading variables. Fairchild does not recommend operation of FACT™ circuits outside databook specifications.

DC Electrical Characteristics

| Symbol | Parameter | V_{CC} (V) | $T_A = +25^\circ\text{C}$ | | $T_A = -40^\circ\text{C to } +85^\circ\text{C}$ | | Units | Conditions |
|-----------|--|-----------------|---------------------------|-------------------|---|---------|--|------------|
| | | | Typ | Guaranteed Limits | | | | |
| V_{IH} | Minimum HIGH Input Voltage | 4.5 | 1.5 | 2.0 | 2.0 | V | $V_{OUT} = 0.1V$ or $V_{CC} - 0.1V$ | |
| | | 5.5 | 1.5 | 2.0 | 2.0 | | | |
| V_{IL} | Maximum LOW Input Voltage | 4.5 | 1.5 | 0.8 | 0.8 | V | $V_{OUT} = 0.1V$ or $V_{CC} - 0.1V$ | |
| | | 5.5 | 1.5 | 0.8 | 0.8 | | | |
| V_{OH} | Minimum HIGH Output Voltage | 4.5 | 4.49 | 4.4 | 4.4 | V | $I_{OUT} = -50 \mu A$ | |
| | | 5.5 | 5.49 | 5.4 | 5.4 | | | |
| | | 4.5 | | 3.86 | 3.76 | V | $V_{IN} = V_{IL}$ or V_{IH} $I_{OH} = -24$ mA $I_{OH} = -24$ mA (Note 2) | |
| | | 5.5 | | 4.86 | 4.76 | | | |
| V_{OL} | Maximum LOW Output Voltage | 4.5 | 0.001 | 0.1 | 0.1 | V | $I_{OUT} = 50 \mu A$ | |
| | | 5.5 | 0.001 | 0.1 | 0.1 | | | |
| | | 4.5 | | 0.36 | 0.44 | V | $V_{IN} = V_{IL}$ or V_{IH} $I_{OL} = 24$ mA $I_{OL} = 24$ mA (Note 2) | |
| | | 5.5 | | 0.36 | 0.44 | | | |
| I_{OZT} | Maximum I/O Leakage Current | 5.5 | | ± 0.5 | ± 5.0 | μA | $V_I = V_{IL}, V_{IH}$ $V_O = V_{CC}, GND$ | |
| I_{IN} | Maximum Input Leakage Current | 5.5 | | ± 0.1 | ± 1.0 | μA | $V_I = V_{CC}, GND$ | |
| I_{CCT} | Maximum $I_{CC}/$ Input | 5.5 | 0.6 | | 1.5 | mA | $V_I = V_{CC} - 2.1V$ | |
| I_{CC} | Max Quiescent Supply Current | 5.5 | | 8.0 | 80.0 | μA | $V_{IN} = V_{CC}$ or GND | |
| I_{OLD} | Minimum Dynamic | 5.5 | | | 75 | mA | $V_{OLD} = 1.65V$ Max | |
| I_{OHD} | Output Current (Note 3) | 5.5 | | | -75 | mA | $V_{OHD} = 3.85V$ Min | |
| V_{OLP} | Quiet Output Maximum Dynamic V_{OL} | 5.0 | 0.5 | 0.8 | | V | Figure 1, Figure 2 (Note 5)(Note 6) | |
| V_{OLV} | Quiet Output Minimum Dynamic V_{OL} | 5.0 | -0.5 | -0.85 | | V | Figure 1, Figure 2 (Note 5)(Note 6) | |
| V_{OHP} | Maximum Overshoot | 5.0 | $V_{OH} + 1.0$ | $V_{OH} + 1.5$ | | V | Figure 1, Figure 2 (Note 4)(Note 6) | |
| V_{OHV} | Minimum V_{CC} Droop | 5.0 | $V_{OH} - 1.0$ | $V_{OH} - 1.8$ | | V | Figure 1, Figure 2 (Note 4)(Note 6) | |
| V_{IHD} | Minimum HIGH Dynamic Input Voltage Level | 5.0 | 1.7 | 2.0 | | V | (Note 4)(Note 7) | |
| V_{ILD} | Maximum LOW Dynamic Input Voltage Level | 5.0 | 1.2 | 0.8 | | V | (Note 4)(Note 7) | |

Note 2: All outputs loaded; thresholds associated with output under test.

Note 3: Maximum test duration 2.0 ms; one output loaded at a time.

Note 4: Worst case package.

Note 5: Maximum number of outputs that can switch simultaneously is n. (n - 1) outputs are switched LOW and one output held LOW.

Note 6: Maximum number of outputs that can switch simultaneously is n. (n - 1) outputs are switched HIGH and one output held HIGH.

Note 7: Max number of data inputs (n) switching. (n - 1) input switching 0V to 3V input under test switching 3V to threshold (V_{ILD})

AC Electrical Characteristics

| Symbol | Parameter | V _{CC} (V) (Note 8) | T _A = +25°C C _L = 50 pF | | | T _A = -40°C to +85°C C _L = 50 pF | | Units |
|------------------|--|------------------------------------|--|-----|------|---|------|-------|
| | | | Min | Typ | Max | Min | Max | |
| t _{PLH} | Propagation Delay | 5.0 | 3.2 | 5.7 | 8.4 | 3.2 | 9.0 | ns |
| t _{PHL} | A _n , B _n to B _n , A _n | 5.0 | 2.6 | 5.1 | 7.9 | 2.6 | 8.4 | |
| t _{PZH} | Output Enable | 5.0 | 3.7 | 6.4 | 9.4 | 2.7 | 10.0 | ns |
| t _{PZL} | Time | 5.0 | 4.1 | 7.4 | 10.5 | 3.4 | 11.6 | |
| t _{PHZ} | Output Disable | 5.0 | 2.2 | 5.4 | 8.7 | 2.2 | 9.3 | ns |
| t _{PLZ} | Time | 5.0 | 2.0 | 5.2 | 8.2 | 2.0 | 8.8 | |

Note 8: Voltage Range 5.0 is 5.0V ± 0.5V.

Extended AC Electrical Characteristics

| Symbol | Parameter | V _{CC} (V) (Note 9) | T _A = -40°C to +85°C C _L = 50 pF 16 Outputs Switching (Note 11) | | | T _A = -40°C to +85°C C _L = 250 pF (Note 12) | | Units |
|--------------------------------|---|------------------------------------|--|-----|------|---|------|-------|
| | | | Min | Typ | Max | Min | Max | |
| t _{PLH} | Propagation Delay | 5.0 | 4.2 | | 11.9 | 5.9 | 14.6 | ns |
| t _{PHL} | Data to Output | 5.0 | 3.5 | | 9.9 | 5.0 | 13.4 | |
| t _{PZH} | Output Enable Time | 5.0 | 4.5 | | 11.4 | (Note 13) | ns | |
| t _{PZL} | Time | 5.0 | 4.4 | | 12.2 | | | |
| t _{PHZ} | Output Disable Time | 5.0 | 3.5 | | 9.3 | (Note 14) | ns | |
| t _{PZL} | Time | 5.0 | 3.1 | | 8.8 | | | |
| t _{OSSL} (Note 10) | Pin to Pin Skew HL Data to Output | 5.0 | | | 1.2 | | ns | |
| t _{OSLH} (Note 10) | Pin to Pin Skew LH Data to Output | 5.0 | | | 1.3 | | ns | |
| t _{OST} (Note 10) | Pin to Pin Skew LH/HL Data to Output | 5.0 | | | 3.0 | | ns | |

Note 9: Voltage Range 5.0 is 5.0V ± 0.5V.

Note 10: Skew is defined as the absolute value of the difference between the actual propagation delays for any two separate outputs of the same device. The specification applies to any outputs switching HIGH-to-LOW (t_{OSSL}), LOW-to-HIGH (t_{OSLH}), or any combination switching LOW-to-HIGH and/or HIGH-to-LOW (t_{OST}).

Note 11: This specification is guaranteed but not tested. The limits apply to propagation delays for all paths described switching in phase (i.e., all LOW-to-HIGH, HIGH-to-LOW, etc.).

Note 12: This specification is guaranteed but not tested. The limits represent propagation delays with 250 pF load capacitors in place of the 50 pF load capacitors in the standard AC load. This specification pertains to single output switching only.

Note 13: 3-STATE delays are load dominated and have been excluded from the datasheet.

Note 14: The Output Disable Time is dominated by the RC network (500Ω, 250 pF) on the output and has been excluded from the datasheet.

Capacitance

| Symbol | Parameter | Typ | Units | Conditions |
|-----------------|-------------------------------|-----|-------|------------------------|
| C _{IN} | Input Pin Capacitance | 4.5 | pF | V _{CC} = 5.0V |
| C _{PD} | Power Dissipation Capacitance | 25 | pF | V _{CC} = 5.0V |

FACT Noise Characteristics

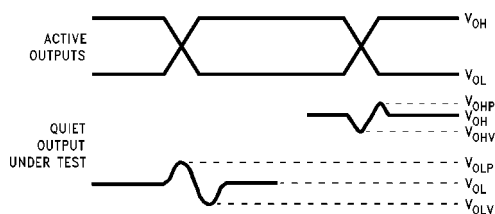
The setup of a noise characteristics measurement is critical to the accuracy and repeatability of the tests. The following is a brief description of the setup used to measure the noise characteristics of FACT.

Equipment:

Hewlett Packard Model 8180A Word Generator
PC-163A Test Fixture
Tektronics Model 7854 Oscilloscope

Procedure:

1. Verify Test Fixture Loading: Standard Load 50 pF, 500Ω.
2. Deskew the HFS generator so that no two channels have greater than 150 ps skew between them. This requires that the oscilloscope be deskewed first. It is important to deskew the HFS generator channels before testing. This will ensure that the outputs switch simultaneously.
3. Terminate all inputs and outputs to ensure proper loading of the outputs and that the input levels are at the correct voltage.
4. Set the HFS generator to toggle all but one output at a frequency of 1 MHz. Greater frequencies will increase DUT heating and effect the results of the measurement.



V_{OHV} and V_{OLP} are measured with respect to ground reference.

Input pulses have the following characteristics: $f = 1$ MHz, $t_r = 3$ ns, $t_f = 3$ ns, skew < 150 ps.

FIGURE 1. Quiet Output Noise Voltage Waveforms

5. Set the HFS generator input levels at 0V LOW and 3V HIGH for ACT devices and 0V LOW and 5V HIGH for AC devices. Verify levels with an oscilloscope.

V_{OLP}/V_{OLV} and V_{OHP}/V_{OHV} :

- Determine the quiet output pin that demonstrates the greatest noise levels. The worst case pin will usually be the furthest from the ground pin. Monitor the output voltages using a 50Ω coaxial cable plugged into a standard SMB type connector on the test fixture. Do not use an active FET probe.
- Measure V_{OLP} and V_{OLV} on the quiet output during the worst case transition for active and enable. Measure V_{OHP} and V_{OHV} on the quiet output during the worst case active and enable transition.
- Verify that the GND reference recorded on the oscilloscope has not drifted to ensure the accuracy and repeatability of the measurements.

V_{ILD} and V_{IHD} :

- Monitor one of the switching outputs using a 50Ω coaxial cable plugged into a standard SMB type connector on the test fixture. Do not use an active FET probe.
- First increase the input LOW voltage level, V_{IL} , until the output begins to oscillate or steps out a min of 2 ns. Oscillation is defined as noise on the output LOW level that exceeds V_{IL} limits, or on output HIGH levels that exceed V_{IH} limits. The input LOW voltage level at which oscillation occurs is defined as V_{ILD} .
- Next decrease the input HIGH voltage level, V_{IH} , until the output begins to oscillate or steps out a min of 2 ns. Oscillation is defined as noise on the output LOW level that exceeds V_{IL} limits, or on output HIGH levels that exceed V_{IH} limits. The input HIGH voltage level at which oscillation occurs is defined as V_{IHD} .
- Verify that the GND reference recorded on the oscilloscope has not drifted to ensure the accuracy and repeatability of the measurements.

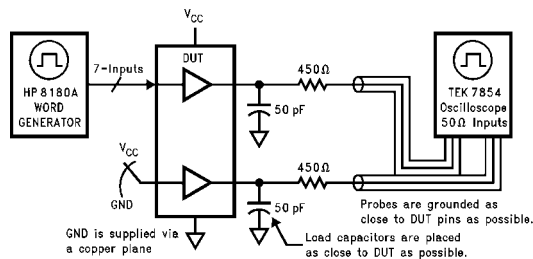
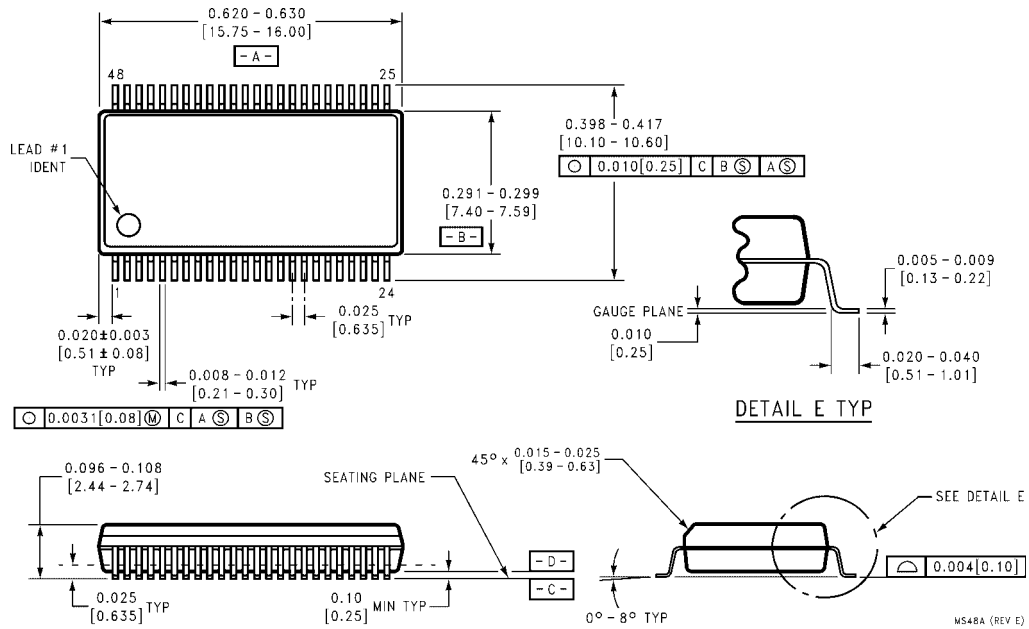


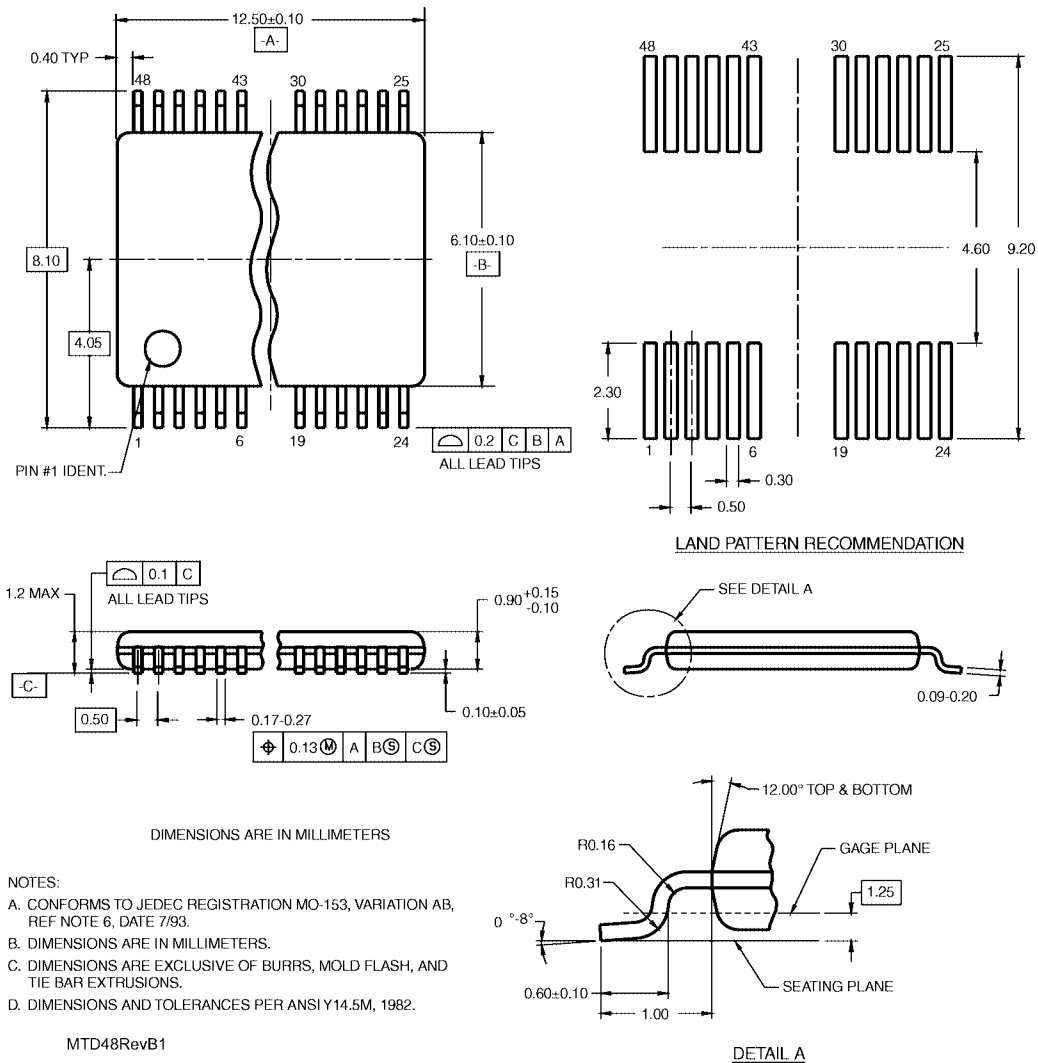
FIGURE 2. Simultaneous Switching Test Circuit

Physical Dimensions inches (millimeters) unless otherwise noted



**48-Lead Small Shrink Outline Package (SSOP), JEDEC MO-118, 0.300" Wide
Package Number MS48A**

Physical Dimensions inches (millimeters) unless otherwise noted (Continued)



Fairchild does not assume any responsibility for use of any circuitry described, no circuit patent licenses are implied and Fairchild reserves the right at any time without notice to change said circuitry and specifications.

LIFE SUPPORT POLICY

FAIRCHILD'S PRODUCTS ARE NOT AUTHORIZED FOR USE AS CRITICAL COMPONENTS IN LIFE SUPPORT DEVICES OR SYSTEMS WITHOUT THE EXPRESS WRITTEN APPROVAL OF THE PRESIDENT OF FAIRCHILD SEMICONDUCTOR CORPORATION. As used herein:

1. Life support devices or systems are devices or systems which, (a) are intended for surgical implant into the body, or (b) support or sustain life, and (c) whose failure to perform when properly used in accordance with instructions for use provided in the labeling, can be reasonably expected to result in a significant injury to the user.
2. A critical component in any component of a life support device or system whose failure to perform can be reasonably expected to cause the failure of the life support device or system, or to affect its safety or effectiveness.

www.fairchildsemi.com