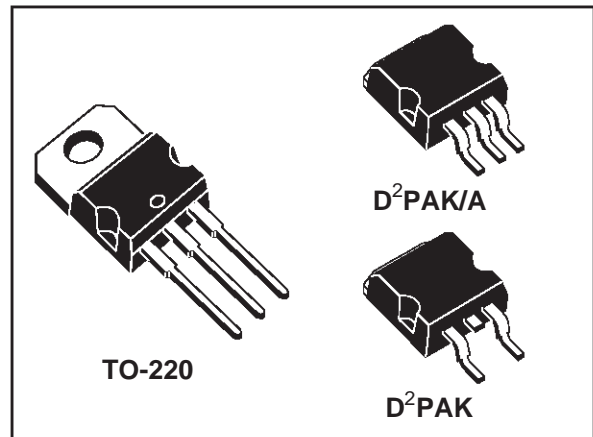




LD1085 SERIES

3A LOW DROP FIXED AND ADJUSTABLE POSITIVE VOLTAGE REGULATORS

- TYPICAL DROPOUT VOLTAGE 1.3V AT 3A
- THREE TERMINAL ADJUSTABLE OR FIXED OUTPUT VOLTAGE 1.8V, 2.5V, 2.85V, 3.3V, 3.6V, 5V, 8V, 9V, 12V
- GUARANTEED OUTPUT CURRENT UP TO 3A
- OUTPUT TOLERANCE $\pm 1\%$ AT 25°C AND $\pm 2\%$ IN FULL TEMPERATURE RANGE
- INTERNAL POWER AND THERMAL LIMIT
- WIDE OPERATING TEMPERATURE RANGE -40°C TO 125°C
- PACKAGE AVAILABLE: TO-220 D²PAK
- PINOUT COMPATIBILITY WITH STANDARD ADJUSTABLE VOLTAGE REGULATORS

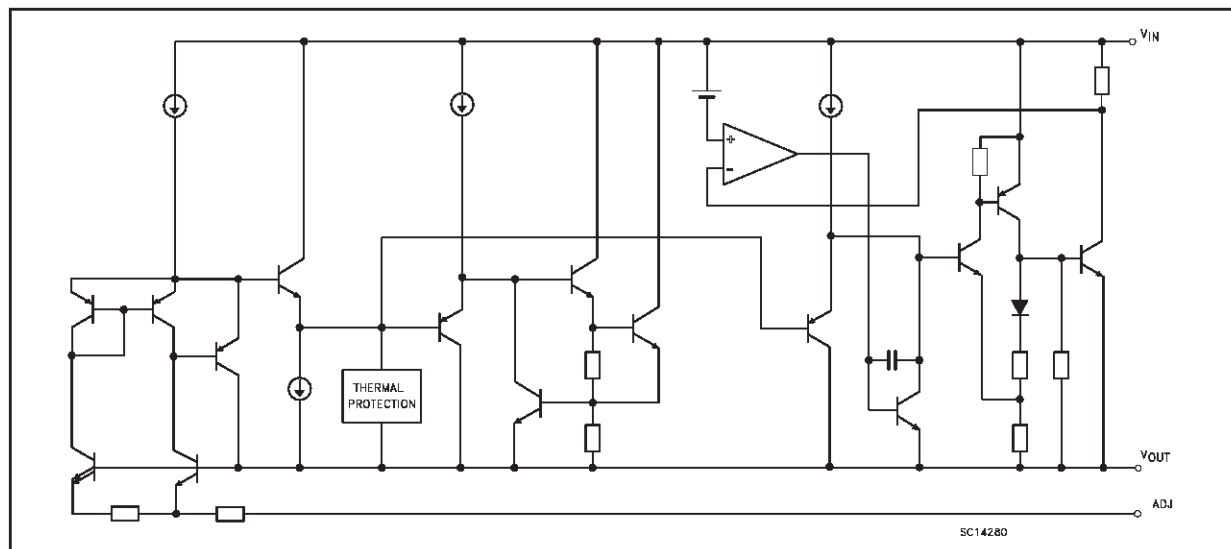


DESCRIPTION

The LD1085 is a LOW DROP Voltage Regulator able to provide up to 3A of Output Current. Dropout is guaranteed at a maximum of 1.5V at the maximum output current, decreasing at lower loads. The LD1085 is pin compatible with older 3-terminal adjustable regulators, but has better performances in term of drop and output tolerance. A 2.85V output version is suitable for SCSI-2 active termination. Unlike PNP

regulators, where a part of the output current is wasted as quiescent current, the LD1085 quiescent current flow into the load, so increase efficiency. Only a 10 μ F minimum capacitor is need for stability. The device is supplied in TO-220, D²PAK and D²PAK/A packages. On chip trimming allows the regulator to reach a very tight output voltage tolerance, within $\pm 1\%$ at 25°C.

BLOCK DIAGRAM



LD1085 SERIES

ABSOLUTE MAXIMUM RATINGS

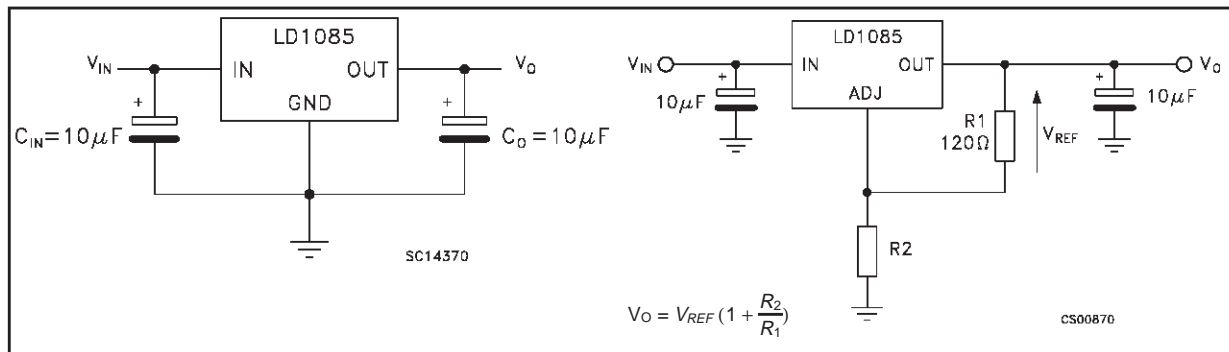
Symbol	Parameter	Value	Unit
V_{IN}	DC Input Voltage	30	V
I_{OUT}	Output Current	Internally Limited	mA
P_{tot}	Power Dissipation	Internally Limited	mW
T_{stg}	Storage Temperature Range	-50 to 150	°C
T_{op}	Operating Junction Temperature Range	-40 to 125	°C

Absolute Maximum Ratings are those value beyond which damage to the device may occur. Functional operation under these condition is not implied. Over the above suggested Max Power Dissipation a Short Circuit could definitively damage the device.

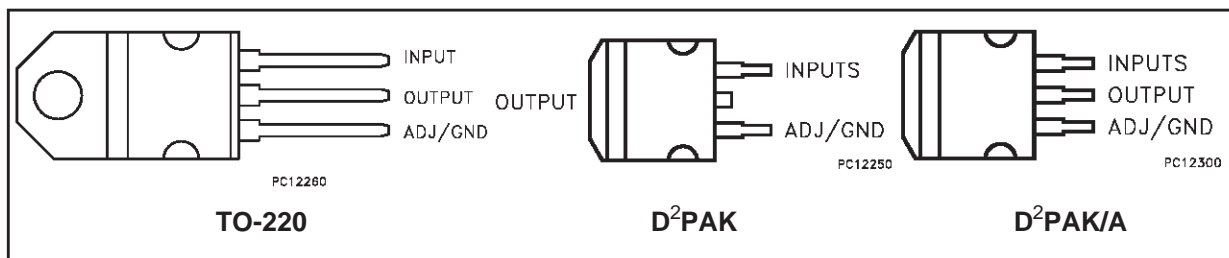
THERMAL DATA

Symbol	Parameter	TO-220	D ² PAK	Unit
$R_{thj-case}$	Thermal Resistance Junction-case	3	3	°C/W
$R_{thj-amb}$	Thermal Resistance Junction-ambient	50	62.5	°C/W

APPLICATION CIRCUIT FOR FIXED AND ADJUSTABLE VERSION



CONNECTION DIAGRAM AND ORDERING NUMBERS (top view)



TO-220	D ² PAK (**)	D ² PAK/A (**)	Output Voltage
LD1085V18	LD1085D2T18	LD1085D2M18	1.8V
LD1085V25	LD1085D2T25	LD1085D2M25	2.5V
LD1085V28	LD1085D2T28	LD1085D2M28	2.85V
LD1085V33	LD1085D2T33	LD1085D2M33	3.3V
LD1085V36	LD1085D2T36	LD1085D2M36	3.6V
LD1085V50	LD1085D2T50	LD1085D2M50	5V
LD1085V80	LD1085D2T80	LD1085D2M80	8V
LD1085V90	LD1085D2T90	LD1085D2M90	9V
LD1085V120	LD1085D2T120	LD1085D2M120	12V
LD1085V	LD1085D2T	LD1085D2M	1.25 to 28V

(**) Available in Tape & Reel with the suffix "R" for fixed version and "-R" for adjustable version.

ELECTRICAL CHARACTERISTICS FOR LD1086#18 (refer to the test circuits,
 $T_j = -40$ to 125 °C, $V_{IN} = 4.8$ V, $C_{IN} = C_O = 10$ μ F unless otherwise specified)

Symbol	Parameter	Test Conditions	Min.	Typ.	Max.	Unit
V_O	Output Voltage	$I_O = 0$ mA $T_j = 25$ °C	1.782	1.8	1.818	V
V_O	Output Voltage (Note 1)	$I_O = 0$ to 3 A $V_{IN} = 3.4$ to 30 V	1.764	1.8	1.836	V
ΔV_O	Line Regulation	$V_{IN} = 3.4$ to 18 V $I_O = 0$ mA $T_j = 25$ °C		0.2	4	mV
ΔV_O	Line Regulation	$V_{IN} = 3.4$ to 18 V $I_O = 0$ mA		0.4	4	mV
ΔV_O	Load Regulation	$I_O = 0$ to 3 A $T_j = 25$ °C		2	10	mV
ΔV_O	Load Regulation	$I_O = 0$ to 3 A		4	20	mV
V_d	Dropout Voltage	$I_O = 3$ A		1.3	1.5	V
I_d	Quiescent Current	$V_{IN} \leq 30$ V		5	10	mA
I_{sc}	Short Circuit Current	$V_{IN} - V_O = 5$ V	3.2	4.5		A
		$V_{IN} - V_O = 25$ V	0.2	0.5		
	Thermal Regulation	$T_a = 25$ °C 30ms Pulse		0.008	0.04	%/W
SVR	Supply Voltage Rejection	$I_O = 3$ A $f = 120$ Hz $C_O = 25\mu$ F $V_{IN} = 5.3 \pm 1$ V	60	75		dB
eN	Output Noise Voltage	$B = 10$ Hz to 10KHz $T_a = 25$ °C		0.003		%
S	Temperature Stability			0.5		%
S	Long Term Stability	1000 hrs $T_a = 125$ °C		0.5		%

Note1: See short-circuit curve for available output current at fixed dropout.

ELECTRICAL CHARACTERISTICS FOR LD1085#25 (refer to the test circuits,
 $T_j = -40$ to 125 °C, $V_{IN} = 5.5$ V, $C_{IN} = C_O = 10$ μ F unless otherwise specified)

Symbol	Parameter	Test Conditions	Min.	Typ.	Max.	Unit
V_O	Output Voltage	$I_O = 0$ mA $T_j = 25$ °C	2.475	2.5	2.525	V
V_O	Output Voltage (Note 1)	$I_O = 0$ to 3 A $V_{in} = 4.1$ to 30 V	2.45	2.5	2.55	V
ΔV_O	Line Regulation	$V_{in} = 4.1$ to 18 V $I_O = 0$ mA $T_j = 25$ °C		0.2	5	mV
ΔV_O	Line Regulation	$V_{in} = 4.1$ to 18 V $I_O = 0$ mA		0.4	5	mV
ΔV_O	Load Regulation	$I_O = 0$ to 3 A $T_j = 25$ °C		2	10	mV
ΔV_O	Load Regulation	$I_O = 0$ to 3 A		4	20	mV
V_d	Dropout Voltage	$I_O = 3$ A		1.3	1.5	V
I_d	Quiescent Current	$V_{in} \leq 30$ V		5	10	mA
I_{sc}	Short Circuit Current	$V_{IN} - V_O = 5$ V	3.2	4.5		A
		$V_{IN} - V_O = 25$ V	0.2	0.5		
	Thermal Regulation	$T_a = 25$ °C 30ms Pulse		0.008	0.04	%/W
SVR	Supply Voltage Rejection	$I_O = 3$ A $f = 120$ Hz $C_O = 25\mu$ F $V_{in} = 7.5 \pm 3$ V	60	72		dB
eN	Output Noise Voltage	$B = 10$ Hz to 10KHz $T_a = 25$ °C		0.003		%
S	Temperature Stability			0.5		%
S	Long Term Stability	1000 hrs $T_a = 125$ °C		0.5		%

Note1: See short-circuit curve for available output current at fixed dropout.

LD1085 SERIES

ELECTRICAL CHARACTERISTICS FOR LD1085#285 (refer to the test circuits,
 $T_j = -40$ to 125 °C, $V_{IN} = 5.85$ V, $C_{IN} = C_O = 10$ μ F unless otherwise specified)

Symbol	Parameter	Test Conditions	Min.	Typ.	Max.	Unit
V_O	Output Voltage	$I_O = 0$ mA $T_j = 25$ °C	2.821	2.85	2.879	V
V_O	Output Voltage (Note 1)	$I_O = 0$ to 3 A $V_{IN} = 4.5$ to 30 V	2.793	2.85	2.907	V
ΔV_O	Line Regulation	$V_{IN} = 4.5$ to 18 V $I_O = 0$ mA $T_j = 25$ °C		0.2	6	mV
ΔV_O	Line Regulation	$V_{IN} = 4.5$ to 18 V $I_O = 0$ mA		0.5	6	mV
ΔV_O	Load Regulation	$I_O = 0$ to 3 A $T_j = 25$ °C		3	15	mV
ΔV_O	Load Regulation	$I_O = 0$ to 3 A		7	20	mV
V_d	Dropout Voltage	$I_O = 3$ A		1.3	1.5	V
I_d	Quiescent Current	$V_{IN} \leq 30$ V		5	10	mA
I_{SC}	Short Circuit Current	$V_{IN} - V_O = 5$ V	3.2	4.5		A
		$V_{IN} - V_O = 25$ V	0.2	0.5		
	Thermal Regulation	$T_a = 25$ °C 30ms Pulse		0.008	0.04	%/W
SVR	Supply Voltage Rejection	$I_O = 3$ A $f = 120$ Hz $C_O = 25\mu$ F $V_{IN} = 7.85 \pm 3$ V	60	72		dB
eN	Output Noise Voltage	$B = 10$ Hz to 10KHz $T_a = 25$ °C		0.003		%
S	Temperature Stability			0.5		%
S	Long Term Stability	1000 hrs $T_a = 125$ °C		0.5		%

Note1: See short-circuit curve for available output current at fixed dropout.

ELECTRICAL CHARACTERISTICS FOR LD1085#33 (refer to the test circuits,
 $T_j = -40$ to 125 °C, $V_{IN} = 6.3$ V, $C_{IN} = C_O = 10$ μ F unless otherwise specified)

Symbol	Parameter	Test Conditions	Min.	Typ.	Max.	Unit
V_O	Output Voltage	$I_O = 0$ mA $T_j = 25$ °C	3.267	3.3	3.333	V
V_O	Output Voltage (Note 1)	$I_O = 0$ to 3 A $V_{IN} = 4.9$ to 30 V	3.234	3.3	3.366	V
ΔV_O	Line Regulation	$V_{IN} = 4.9$ to 18 V $I_O = 0$ mA $T_j = 25$ °C		0.5	6	mV
ΔV_O	Line Regulation	$V_{IN} = 4.9$ to 18 V $I_O = 0$ mA		1	6	mV
ΔV_O	Load Regulation	$I_O = 0$ to 3 A $T_j = 25$ °C		3	15	mV
ΔV_O	Load Regulation	$I_O = 0$ to 3 A		7	20	mV
V_d	Dropout Voltage	$I_O = 3$ A		1.3	1.5	V
I_d	Quiescent Current	$V_{IN} \leq 30$ V		5	10	mA
I_{SC}	Short Circuit Current	$V_{IN} - V_O = 5$ V	3.2	4.5		A
		$V_{IN} - V_O = 25$ V	0.2	0.5		
	Thermal Regulation	$T_a = 25$ °C 30ms Pulse		0.008	0.04	%/W
SVR	Supply Voltage Rejection	$I_O = 3$ A $f = 120$ Hz $C_O = 25\mu$ F $V_{IN} = 8.3 \pm 3$ V	60	72		dB
eN	Output Noise Voltage	$B = 10$ Hz to 10KHz $T_a = 25$ °C		0.003		%
S	Temperature Stability			0.5		%
S	Long Term Stability	1000 hrs $T_a = 125$ °C		0.5		%

Note1: See short-circuit curve for available output current at fixed dropout.

ELECTRICAL CHARACTERISTICS FOR LD1085#36 (refer to the test circuits,
 $T_j = -40$ to 125 °C, $V_{IN} = 5.85$ V, $C_{IN} = C_O = 10$ μ F unless otherwise specified)

Symbol	Parameter	Test Conditions	Min.	Typ.	Max.	Unit
V_O	Output Voltage	$I_O = 0$ mA $T_j = 25$ °C	3.564	3.6	3.636	V
V_O	Output Voltage (Note 1)	$I_O = 0$ to 3 A $V_{IN} = 5.2$ to 30 V	3.528	3.6	3.672	V
ΔV_O	Line Regulation	$V_{IN} = 5.2$ to 18 V $I_O = 0$ mA $T_j = 25$ °C		0.5	10	mV
ΔV_O	Line Regulation	$V_{IN} = 5.2$ to 18 V $I_O = 0$ mA		1	10	mV
ΔV_O	Load Regulation	$I_O = 0$ to 3 A $T_j = 25$ °C		3	15	mV
ΔV_O	Load Regulation	$I_O = 0$ to 3 A		7	20	mV
V_d	Dropout Voltage	$I_O = 3$ A		1.3	1.5	V
I_d	Quiescent Current	$V_{IN} \leq 30$ V		5	10	mA
I_{SC}	Short Circuit Current	$V_{IN} - V_O = 5$ V	3.2	4.5		A
		$V_{IN} - V_O = 25$ V	0.2	0.5		
	Thermal Regulation	$T_a = 25$ °C 30ms Pulse		0.008	0.04	%/W
SVR	Supply Voltage Rejection	$I_O = 3$ A $f = 120$ Hz $C_O = 25\mu$ F $V_{IN} = 8.6 \pm 3$ V	60	72		dB
eN	Output Noise Voltage	$B = 10$ Hz to 10KHz $T_a = 25$ °C		0.003		%
S	Temperature Stability			0.5		%
S	Long Term Stability	1000 hrs $T_a = 125$ °C		0.5		%

Note1: See short-circuit curve for available output current at fixed dropout.

ELECTRICAL CHARACTERISTICS FOR LD1085#50 (refer to the test circuits,
 $T_j = -40$ to 125 °C, $V_{IN} = 8$ V, $C_{IN} = C_O = 10$ μ F unless otherwise specified)

Symbol	Parameter	Test Conditions	Min.	Typ.	Max.	Unit
V_O	Output Voltage	$I_O = 0$ mA $T_j = 25$ °C	4.95	5	5.05	V
V_O	Output Voltage (Note 1)	$I_O = 0$ to 3 A $V_{IN} = 6.6$ to 30 V	4.9	5	5.1	V
ΔV_O	Line Regulation	$V_{IN} = 6.6$ to 20 V $I_O = 0$ mA $T_j = 25$ °C		0.5	10	mV
ΔV_O	Line Regulation	$V_{IN} = 6.6$ to 20 V $I_O = 0$ mA		1	10	mV
ΔV_O	Load Regulation	$I_O = 0$ to 3 A $T_j = 25$ °C		5	20	mV
ΔV_O	Load Regulation	$I_O = 0$ to 3 A		10	35	mV
V_d	Dropout Voltage	$I_O = 3$ A		1.3	1.5	V
I_d	Quiescent Current	$V_{IN} \leq 30$ V		5	10	mA
I_{SC}	Short Circuit Current	$V_{IN} - V_O = 5$ V	3.2	4.5		A
		$V_{IN} - V_O = 25$ V	0.2	0.5		
	Thermal Regulation	$T_a = 25$ °C 30ms Pulse		0.008	0.04	%/W
SVR	Supply Voltage Rejection	$I_O = 3$ A $f = 120$ Hz $C_O = 25\mu$ F $V_{IN} = 10 \pm 3$ V	60	72		dB
eN	Output Noise Voltage	$B = 10$ Hz to 10KHz $T_a = 25$ °C		0.003		%
S	Temperature Stability			0.5		%
S	Long Term Stability	1000 hrs $T_a = 125$ °C		0.5		%

Note1: See short-circuit curve for available output current at fixed dropout.

LD1085 SERIES

ELECTRICAL CHARACTERISTICS FOR LD1085#80 (refer to the test circuits,
 $T_j = -40$ to 125 °C, $V_{IN} = 11$ V, $C_{IN} = C_O = 10$ μ F unless otherwise specified)

Symbol	Parameter	Test Conditions	Min.	Typ.	Max.	Unit
V_O	Output Voltage	$I_O = 0$ mA $T_j = 25$ °C	7.92	8	8.08	V
V_O	Output Voltage (Note 1)	$I_O = 0$ to 3 A $V_{IN} = 9.8$ to 30 V	7.84	8	8.16	V
ΔV_O	Line Regulation	$V_{IN} = 9.8$ to 20 V $I_O = 0$ mA $T_j = 25$ °C		1	18	mV
ΔV_O	LINE Regulation	$V_{IN} = 9.8$ to 20 V $I_O = 0$ mA		2	18	mV
ΔV_O	Load Regulation	$I_O = 0$ to 3 A $T_j = 25$ °C		8	30	mV
ΔV_O	Load Regulation	$I_O = 0$ to 3 A		12	60	mV
V_d	Dropout Voltage	$I_O = 3$ A		1.3	1.5	V
I_d	Quiescent Current	$V_{IN} \leq 30$ V		5	10	mA
I_{sc}	Short Circuit Current	$V_{IN} - V_O = 5$ V	3.2	4.5		A
		$V_{IN} - V_O = 25$ V	0.2	0.5		
	Thermal Regulation	$T_a = 25$ °C 30ms Pulse		0.008	0.04	%/W
SVR	Supply Voltage Rejection	$I_O = 3$ A $f = 120$ Hz $C_O = 25$ μ F $V_{IN} = 13 \pm 3$ V	54	71		dB
eN	Output Noise Voltage	$B = 10$ Hz to 10KHz $T_a = 25$ °C		0.003		%
S	Temperature Stability			0.5		%
S	Long Term Stability	1000 hrs $T_a = 125$ °C		0.5		%

Note1: See short-circuit curve for available output current at fixed dropout.

ELECTRICAL CHARACTERISTICS FOR LD1085#90 (refer to the test circuits,
 $T_j = -40$ to 125 °C, $V_{IN} = 12$ V, $C_{IN} = C_O = 10$ μ F unless otherwise specified)

Symbol	Parameter	Test Conditions	Min.	Typ.	Max.	Unit
V_O	Output Voltage	$I_O = 0$ mA $T_j = 25$ °C	8.91	9	9.09	V
V_O	Output Voltage (Note 1)	$I_O = 0$ to 3 A $V_{IN} = 11$ to 30 V	8.82	9	9.18	V
ΔV_O	Line Regulation	$V_{IN} = 11$ to 20 V $I_O = 0$ mA $T_j = 25$ °C		1	20	mV
ΔV_O	Line Regulation	$V_{IN} = 11$ to 20 V $I_O = 0$ mA		2	20	mV
ΔV_O	Load Regulation	$I_O = 0$ to 3 A $T_j = 25$ °C		8	30	mV
ΔV_O	Load Regulation	$I_O = 0$ to 3 A		12	60	mV
V_d	Dropout Voltage	$I_O = 3$ A		1.3	1.5	V
I_d	Quiescent Current	$V_{IN} \leq 30$ V		5	10	mA
I_{sc}	Short Circuit Current	$V_{IN} - V_O = 5$ V	3.2	4.5		A
		$V_{IN} - V_O = 25$ V	0.2	0.5		
	Thermal Regulation	$T_a = 25$ °C 30ms Pulse		0.008	0.04	%/W
SVR	Supply Voltage Rejection	$I_O = 3$ A $f = 120$ Hz $C_O = 25$ μ F $V_{IN} = 14 \pm 3$ V	54	70		dB
eN	Output Noise Voltage	$B = 10$ Hz to 10KHz $T_a = 25$ °C		0.003		%
S	Temperature Stability			0.5		%
S	Long Term Stability	1000 hrs $T_a = 125$ °C		0.5		%

Note1: See short-circuit curve for available output current at fixed dropout.

ELECTRICAL CHARACTERISTICS FOR LD1085#120 (refer to the test circuits,
 $T_j = -40$ to 125 °C, $V_{IN} = 15$ V, $C_{IN} = C_O = 10$ μ F unless otherwise specified)

Symbol	Parameter	Test Conditions	Min.	Typ.	Max.	Unit
V_O	Output Voltage	$I_O = 0$ mA $T_j = 25$ °C	11.88	12	12.12	V
V_O	Output Voltage (Note 1)	$I_O = 0$ to 3 A $V_{IN} = 13.8$ to 30 V	11.76	12	12.24	V
ΔV_O	Line Regulation	$V_{IN} = 13.8$ to 25 V $I_O = 0$ mA $T_j = 25$ °C		1	25	mV
ΔV_O	Line Regulation	$V_{IN} = 13.8$ to 25 V $I_O = 0$ mA		2	25	mV
ΔV_O	Load Regulation	$I_O = 0$ to 3 A $T_j = 25$ °C		12	36	mV
ΔV_O	Load Regulation	$I_O = 0$ to 3 A		24	72	mV
V_d	Dropout Voltage	$I_O = 3$ A		1.3	1.5	V
I_d	Quiescent Current	$V_{IN} \leq 30$ V		5	10	mA
I_{SC}	Short Circuit Current	$V_{IN} - V_O = 5$ V	3.2	4.5		A
		$V_{IN} - V_O = 25$ V	0.2	0.5		
	Thermal Regulation	$T_a = 25$ °C 30ms Pulse		0.008	0.04	%/W
SVR	Supply Voltage Rejection	$I_O = 3$ A $f = 120$ Hz $C_O = 25$ μ F $V_{IN} = 17 \pm 3$ V	54	66		dB
eN	Output Noise Voltage	$B = 10$ Hz to 10KHz $T_a = 25$ °C		0.003		%
S	Temperature Stability			0.5		%
S	Long Term Stability	1000 hrs $T_a = 125$ °C		0.5		%

Note1: See short-circuit curve for available output current at fixed dropout.

ELECTRICAL CHARACTERISTICS FOR LD1085 (refer to the test circuits,
 $T_j = -40$ to 125 °C, $V_{IN} = 4.25$ V, $C_{IN} = C_O = 10$ μ F unless otherwise specified)

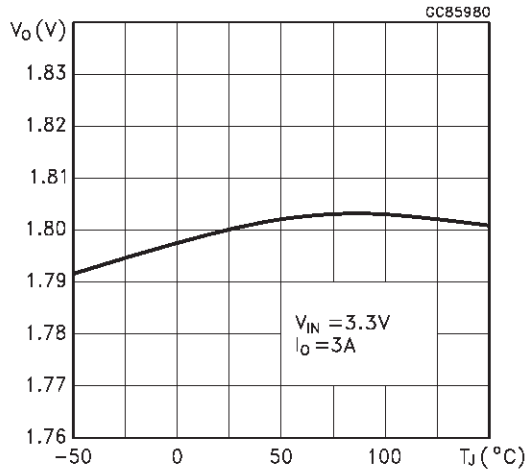
Symbol	Parameter	Test Conditions	Min.	Typ.	Max.	Unit
V_O	Output Voltage	$I_O = 10$ mA $T_j = 25$ °C	1.237	1.25	1.263	V
V_O	Output Voltage (Note 1)	$I_O = 0.01$ to 3 A $V_{IN} = 2.8$ to 30 V	1.225	1.25	1.275	V
ΔV_O	Line Regulation	$V_{IN} = 2.75$ to 16.5V $I_O = 10$ mA $T_j = 25$ °C		0.015	0.2	%
ΔV_O	Line Regulation	$V_{IN} = 2.75$ to 16.5V $I_O = 10$ mA		0.035	0.2	%
ΔV_O	Load Regulation	$I_O = 0.01$ to 3 A $T_j = 25$ °C		0.1	0.3	%
ΔV_O	Load Regulation	$I_O = 0.01$ to 3 A		0.2	0.4	%
V_d	Dropout Voltage	$I_O = 3$ A		1.3	1.5	V
$I_{O(min)}$	Minimum Load Current	$V_{IN} = 30$ V		3	10	mA
I_{SC}	Short Circuit Current	$V_{IN} - V_O = 5$ V	3.2	4.5		A
		$V_{IN} - V_O = 25$ V	0.2	0.5		
	Thermal Regulation	$T_a = 25$ °C 30ms Pulse		0.01	0.04	%/W
SVR	Supply Voltage Rejection	$I_O = 3$ A $f = 120$ Hz $C_O = 25$ μ F $C_{ADJ} = 25$ μ F $V_{IN} = 6.25 \pm 3$ V	60	75		dB
I_{ADJ}	Adjust pin Current	$I_O = 10$ mA $V_{IN} = 4.25$ V		55	120	μ A
ΔI_{ADJ}	Adjust pin Current Change	$V_{IN} = 2.75$ to 16.5 V $I_O = 0.01$ to 3A		0.2	5	μ A
eN	Output Noise Voltage	$B = 10$ Hz to 10KHz $T_a = 25$ °C		0.003		%
S	Temperature Stability			0.5		%
S	Long Term Stability	1000 hrs $T_a = 125$ °C		0.5		%

Note1: See short-circuit curve for available output current at fixed dropout.

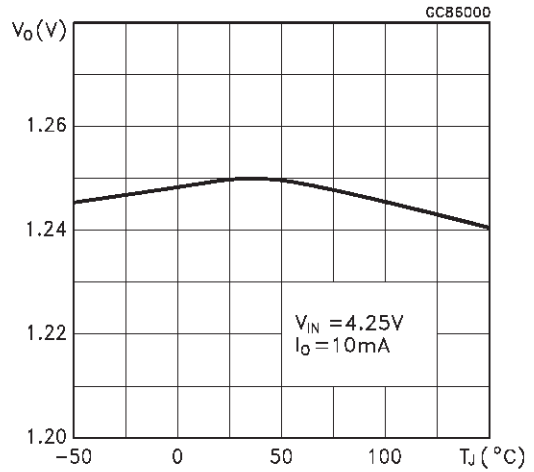
LD1085 SERIES

TYPICAL CHARACTERISTICS (unless otherwise specified $T_J=125^\circ\text{C}$, $C_{IN}=C_O=10\mu\text{F}$)

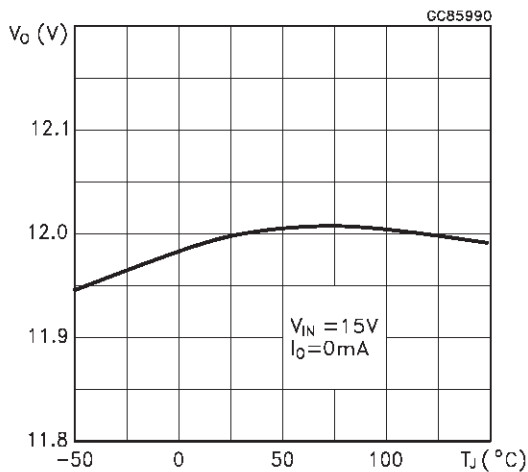
Output Voltage vs Temperature



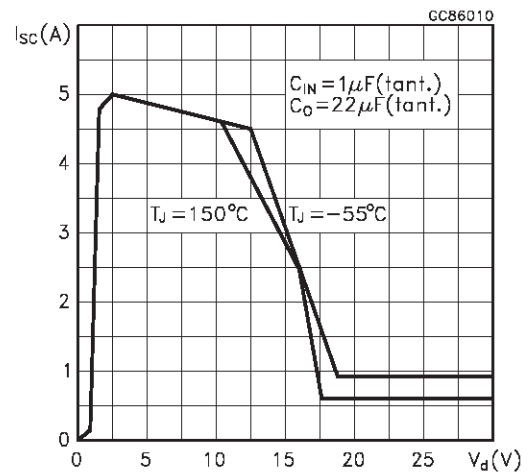
Output Voltage vs Temperature



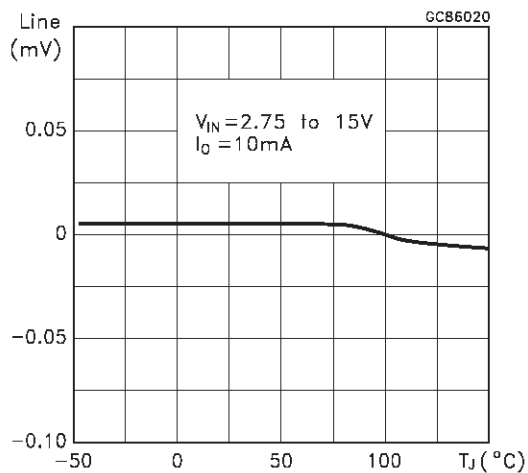
Output Voltage vs Temperature



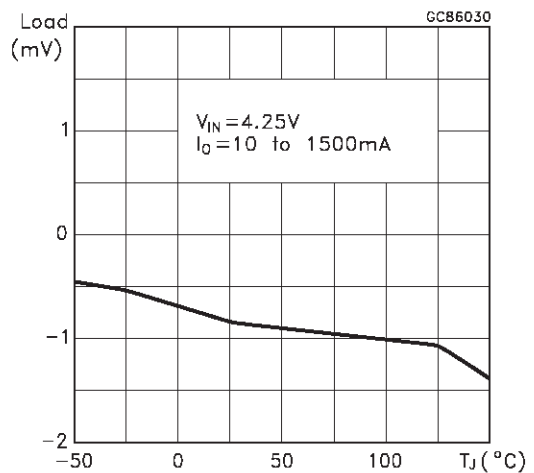
Short Circuit Current vs Dropout Voltage



Line Regulation vs Temperature

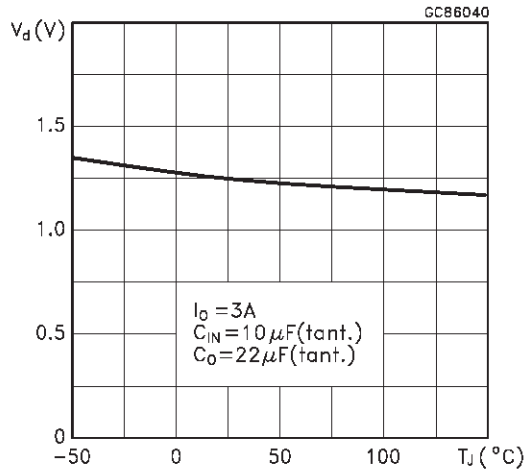


Load Regulation vs Temperature

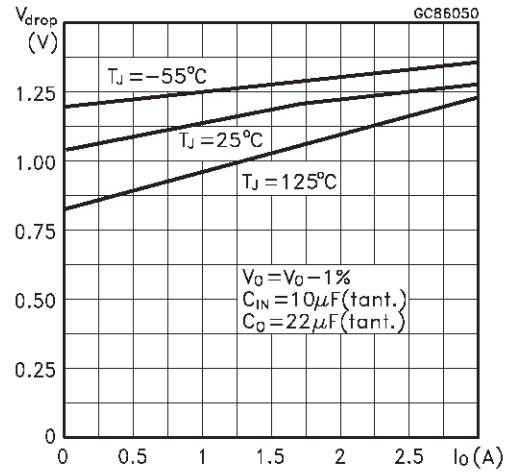


TYPICAL CHARACTERISTICS (Continued)

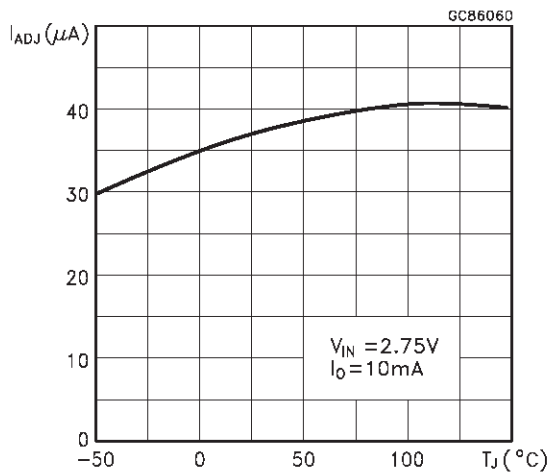
Dropout Voltage vs Temperature



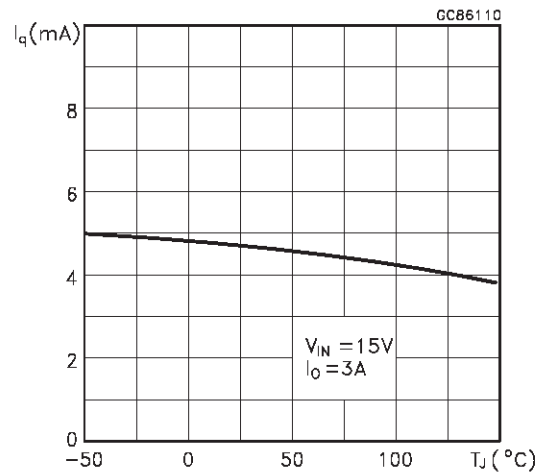
Dropout Voltage vs Output Current



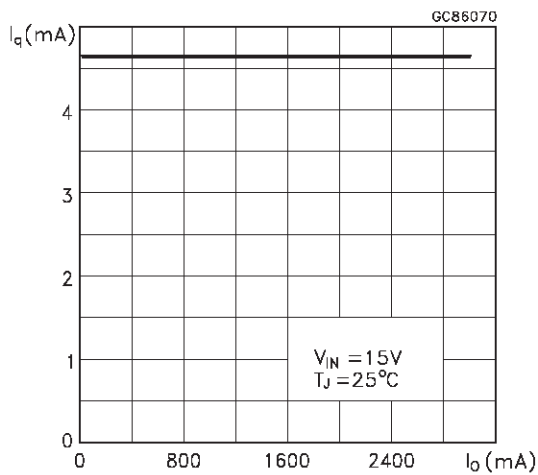
Adjust Pin Current vs Temperature



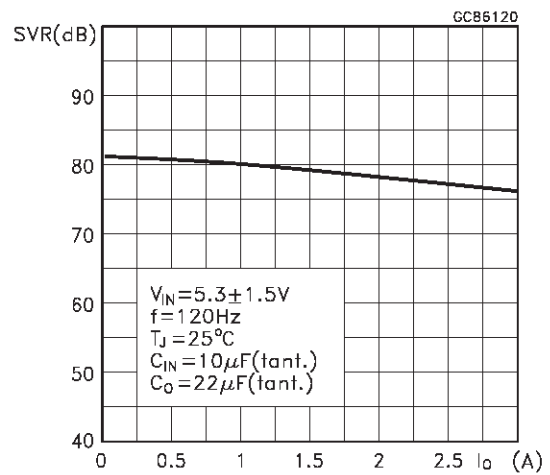
Quiescent Current vs Temperature



Quiescent Current vs Output Current



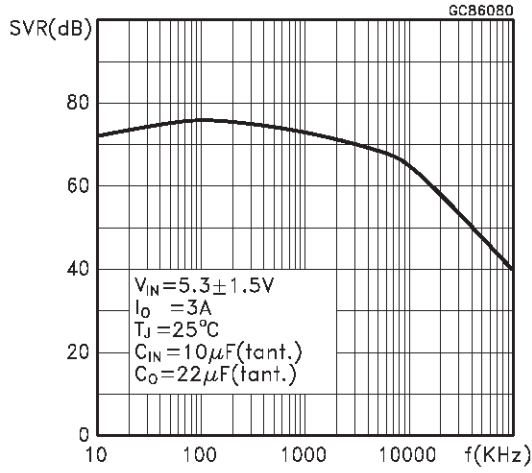
Supply Voltage Rejection vs Output Current



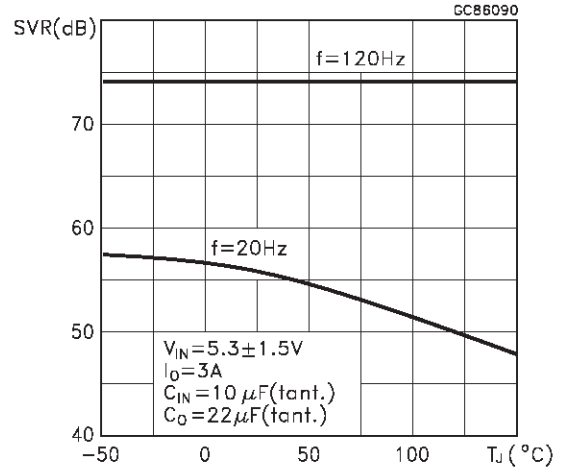
LD1085 SERIES

TYPICAL CHARACTERISTICS (Continued)

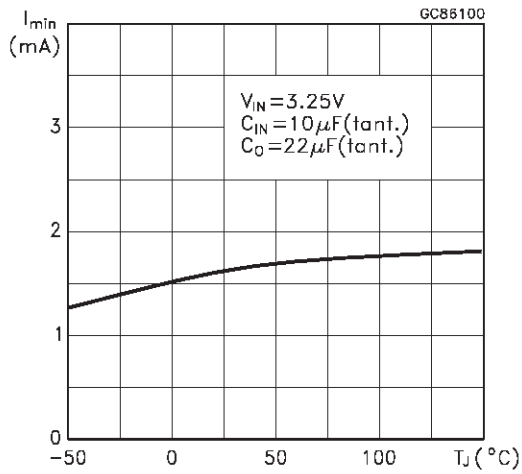
Supply Voltage Rejection vs Frequency



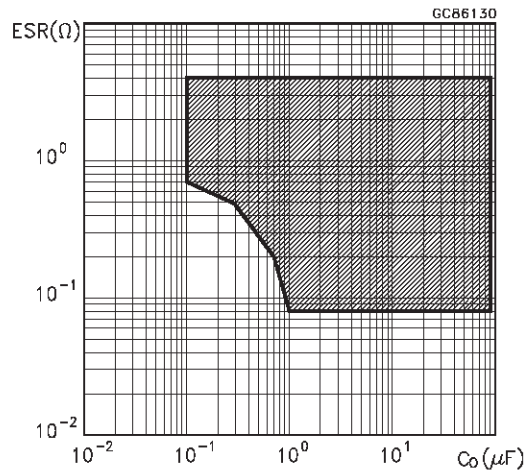
Supply Voltage Rejection vs Temperature



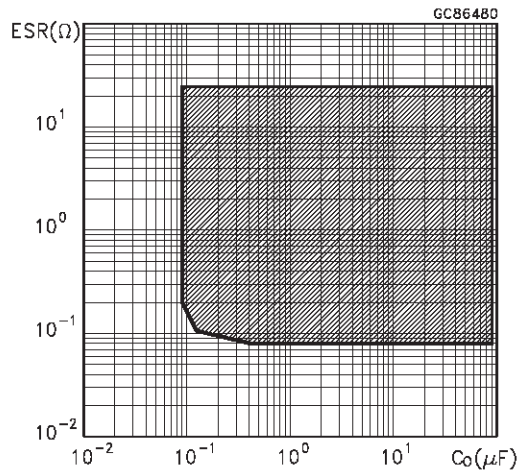
Minimum Load Current vs Temperature



Stability

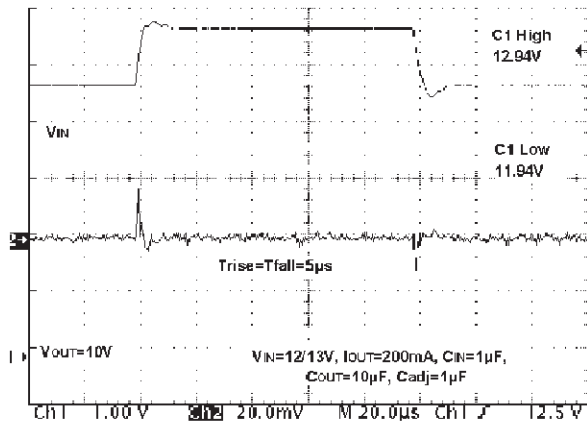


Stability

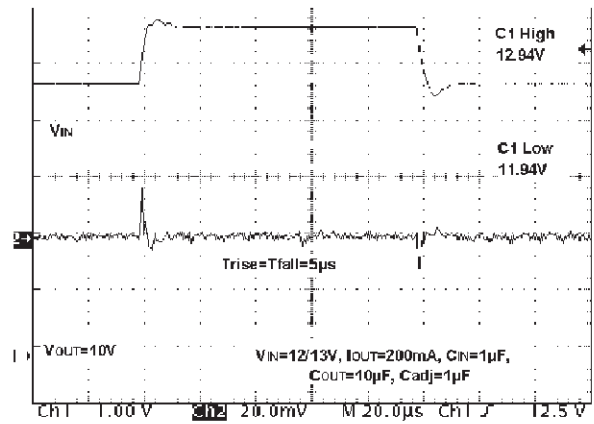


TYPICAL CHARACTERISTICS (Continued)

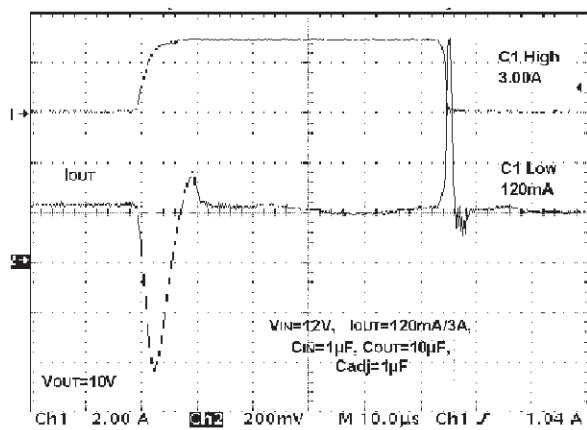
Line Transient



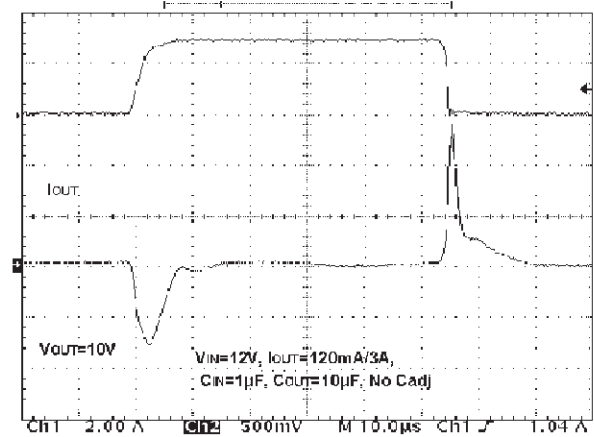
Line Transient



Load Transient

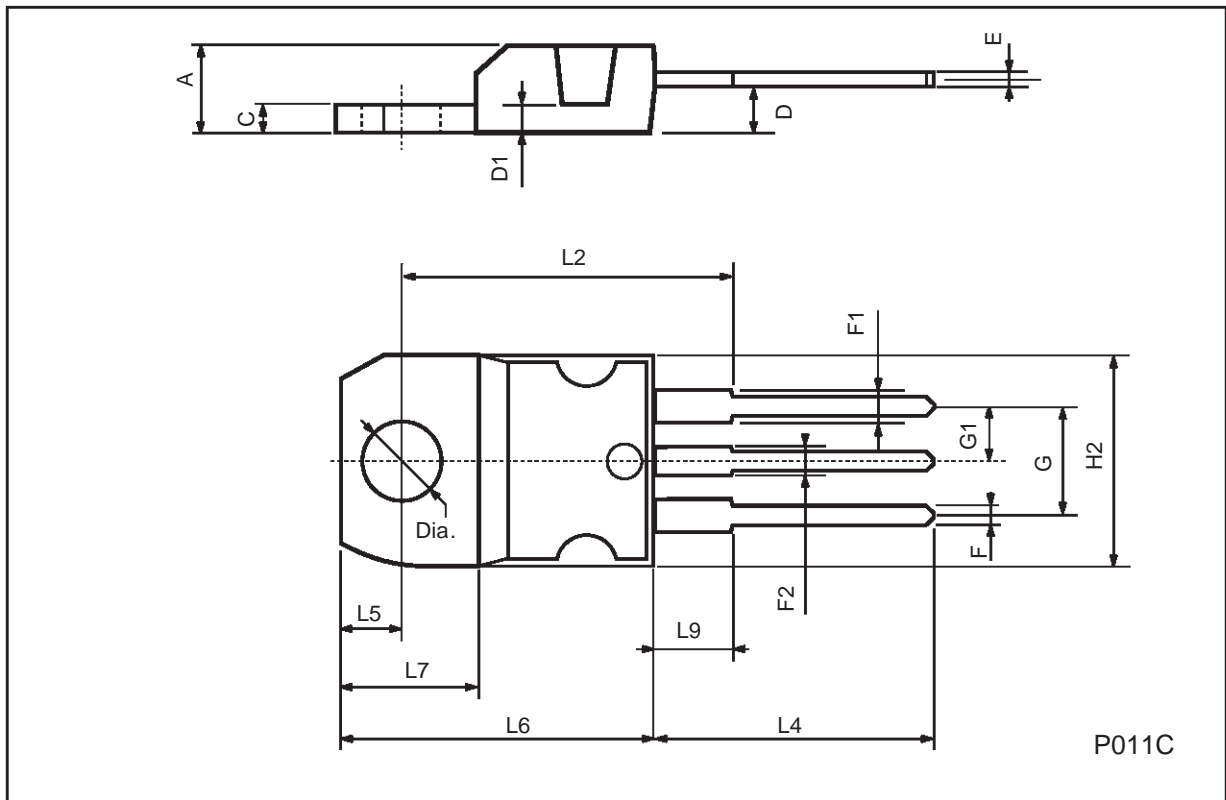


Load Transient



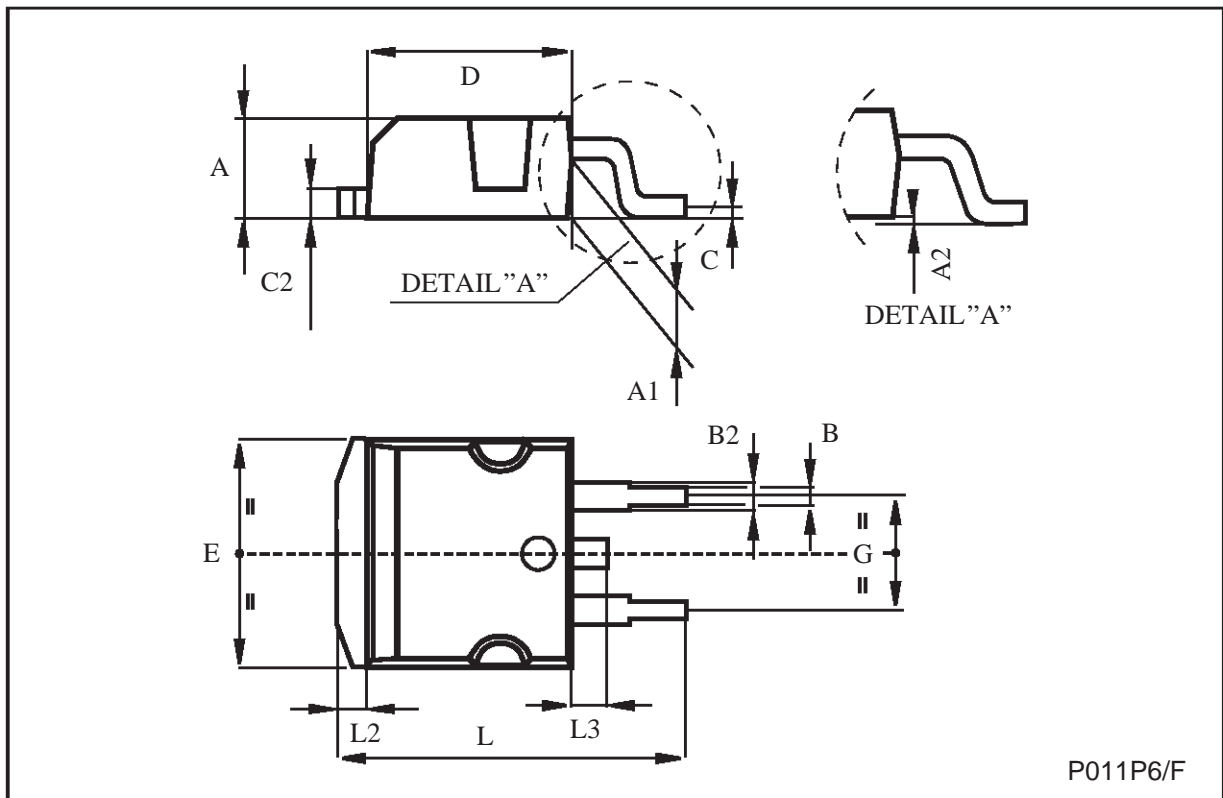
TO-220 MECHANICAL DATA

DIM.	mm			inch		
	MIN.	TYP.	MAX.	MIN.	TYP.	MAX.
A	4.40		4.60	0.173		0.181
C	1.23		1.32	0.048		0.051
D	2.40		2.72	0.094		0.107
D1		1.27			0.050	
E	0.49		0.70	0.019		0.027
F	0.61		0.88	0.024		0.034
F1	1.14		1.70	0.044		0.067
F2	1.14		1.70	0.044		0.067
G	4.95		5.15	0.194		0.203
G1	2.4		2.7	0.094		0.106
H2	10.0		10.40	0.393		0.409
L2		16.4			0.645	
L4	13.0		14.0	0.511		0.551
L5	2.65		2.95	0.104		0.116
L6	15.25		15.75	0.600		0.620
L7	6.2		6.6	0.244		0.260
L9	3.5		3.93	0.137		0.154
DIA.	3.75		3.85	0.147		0.151



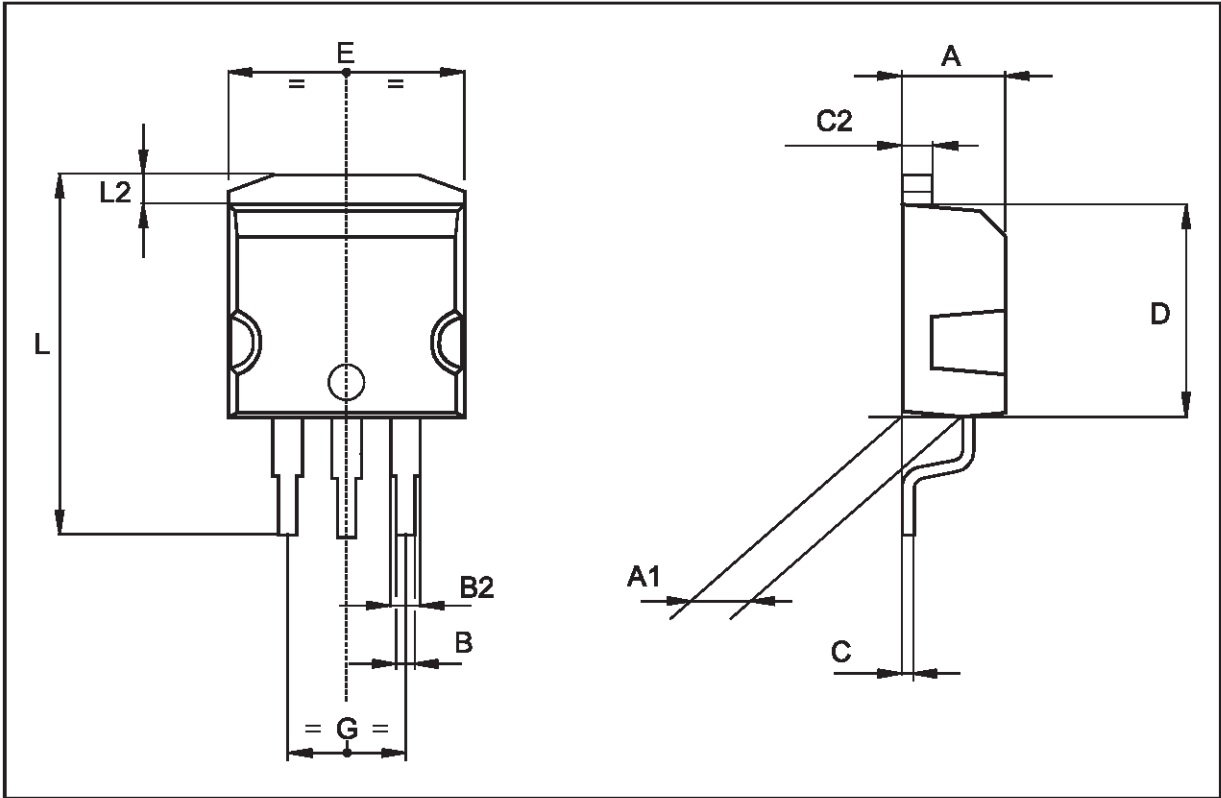
TO-263 (D²PAK) MECHANICAL DATA

DIM.	mm			inch		
	MIN.	TYP.	MAX.	MIN.	TYP.	MAX.
A	4.4		4.6	0.173		0.181
A1	2.49		2.69	0.098		0.106
B	0.7		0.93	0.027		0.036
B2	1.14		1.7	0.044		0.067
C	0.45		0.6	0.017		0.023
C2	1.23		1.36	0.048		0.053
D	8.95		9.35	0.352		0.368
E	10		10.4	0.393		0.409
G	4.88		5.28	0.192		0.208
L	15		15.85	0.590		0.624
L2	1.27		1.4	0.050		0.055
L3	1.4		1.75	0.055		0.068



D²PAK/A MECHANICAL DATA

DIM.	mm			inch		
	MIN.	TYP.	MAX.	MIN.	TYP.	MAX.
A	4.4		4.6	0.173		0.181
A1	2.49		2.69	0.098		0.106
B	0.7		0.93	0.027		0.036
B2	1.14		1.7	0.044		0.067
C	0.45		0.6	0.017		0.023
C2	1.21		1.36	0.047		0.053
D	8.95		9.35	0.352		0.368
E	10		10.4	0.393		0.409
G	4.88		5.28	0.192		0.208
L	15		15.85	0.590		0.624
L2	1.27		1.4	0.050		0.055



Information furnished is believed to be accurate and reliable. However, STMicroelectronics assumes no responsibility for the consequences of use of such information nor for any infringement of patents or other rights of third parties which may result from its use. No license is granted by implication or otherwise under any patent or patent rights of STMicroelectronics. Specification mentioned in this publication are subject to change without notice. This publication supersedes and replaces all information previously supplied. STMicroelectronics products are not authorized for use as critical components in life support devices or systems without express written approval of STMicroelectronics.

The ST logo is a registered trademark of STMicroelectronics

© 2000 STMicroelectronics – Printed in Italy – All Rights Reserved

STMicroelectronics GROUP OF COMPANIES

Australia - Brazil - China - Finland - France - Germany - Hong Kong - India - Italy - Japan - Malaysia - Malta - Morocco
Singapore - Spain - Sweden - Switzerland - United Kingdom - U.S.A.

<http://www.st.com>